

## Excellent Integrated System Limited

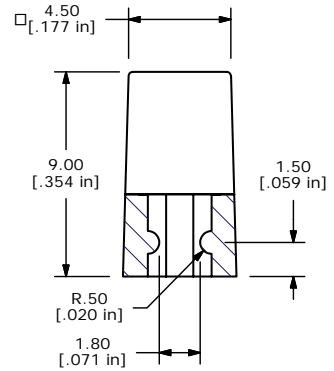
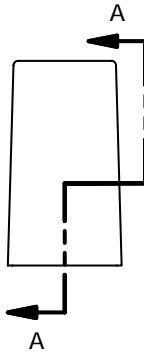
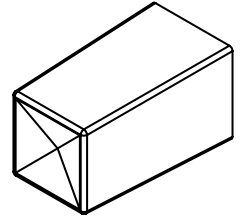
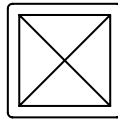
Stocking Distributor

Click to view price, real time Inventory, Delivery & Lifecycle Information:

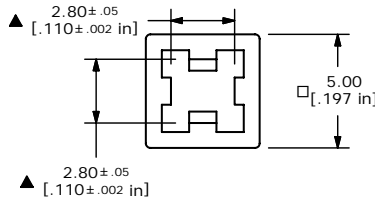
[E-Switch](#)  
[1DBLK](#)

For any questions, you can email us directly:

[sales@integrated-circuit.com](mailto:sales@integrated-circuit.com)



SECTION A-A  
SCALE 4 : 1



- NOTES:  
 1. ALL DIMENSIONS IN MM [INCH]  
 2. GENERAL TOLERANCE: X.XX=±0.15  
 ▲3. MATERIAL: ABS, UL94V0  
 ▲4. COLOR: BLACK, PANTONE 3C  
 5. ▲ DENOTES CRITICAL PARAMETER.



B	15250	REVISED DESCRIPTION	9/8/05	PH
A	15180	RELEASED FOR PRODUCTION	8/23/2005	PH
REV	PCR NO	DESCRIPTION	DATE	BY

TITLE 1DBLK

THE INFORMATION CONTAINED IN THIS DOCUMENT IS PROPRIETARY TO E-SWITCH AND IS NOT TO BE COPIED OR TRANSFERRED

SCALE 4:1

DATE 8/23/2005

DR PH

DWG Q800420

REV B