

## Excellent Integrated System Limited

Stocking Distributor

Click to view price, real time Inventory, Delivery & Lifecycle Information:

[E-Switch](#)  
[300DP4R6WHTM1REWHT](#)

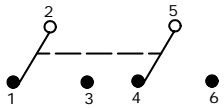
For any questions, you can email us directly:

[sales@integrated-circuit.com](mailto:sales@integrated-circuit.com)

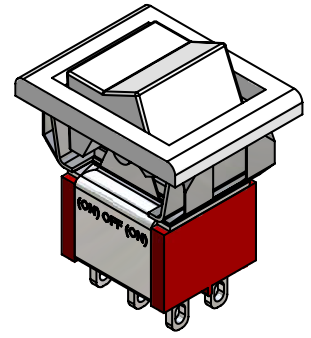
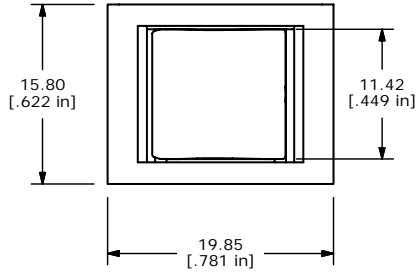
SHEET 1 OF 1

SWITCH FUNCTION		
POS. 1	POS. 2	POS. 3
(ON)	OFF	(ON)
2-3, 5-6	OPEN	2-1, 5-4

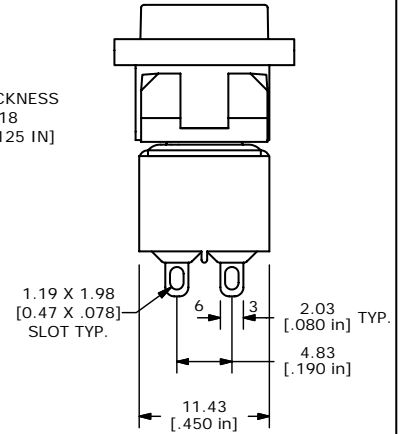
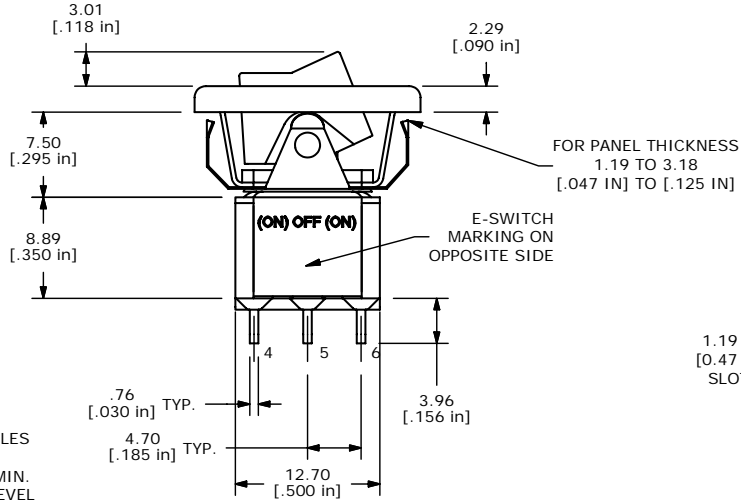
(ON)=MOMENTARY



CIRCUIT: DPDT



ISOMETRIC



- NOTE:
1. ALL DIMENSIONS IN MM [INCH].
  2. GENERAL TOLERANCE: X.X=±0.4  
X.XX=±0.25
  3. TERMINAL NUMBERS FOR REF ONLY.
  - ▲ 4. PLATING MATERIAL: GOLD
  5. RATING: 0.4VOLT-AMPS(VA) MAX. @20V MAX.  
(AC OR DC)
  6. ELECTRIC LIFE: 40,000 MAKE-AND-BREAK CYCLES  
AT FULL LOAD
  7. INSULATION RESISTANCE: 1,000 MEGA-OHM MIN.
  8. DIELECTRIC STRENGTH: 1,000 V RMS @SEA LEVEL
  9. OPERATING TEMP.: -30°C to 85°C
  10. 2002/95/EC (ROHS) COMPLIANT.
  11. ▲ DENOTES CRITICAL PARAMETER.



TITLE 300DP4R6WHTM1REWHT

A	15953	RELEASED FOR PRODUCTION	4/11/06	CT
REV	PCR NO	DESCRIPTION	DATE	BY

THE INFORMATION CONTAINED IN THIS DOCUMENT IS PROPRIETARY TO E-SWITCH AND IS NOT TO BE COPIED OR TRANSFERRED

SCALE 2:1	DATE 4/11/2006	DR CT	DWG T324015	REV A
-----------	----------------	-------	-------------	-------