

## Excellent Integrated System Limited

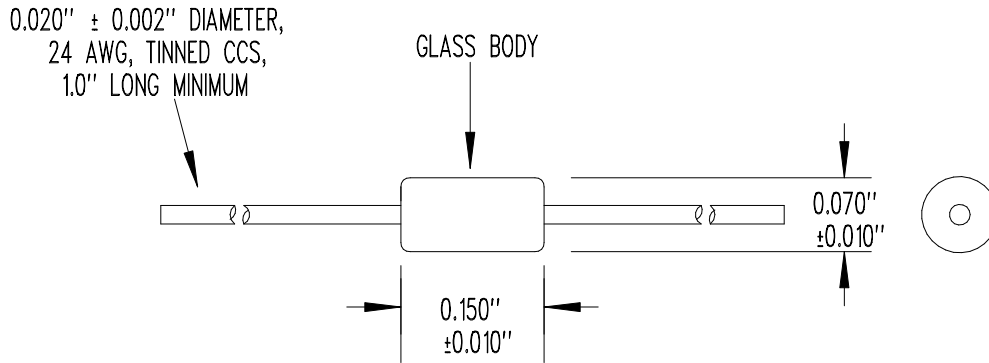
Stocking Distributor

Click to view price, real time Inventory, Delivery & Lifecycle Information:

[US Sensor](#)  
[105RG1J](#)

For any questions, you can email us directly:

[sales@integrated-circuit.com](mailto:sales@integrated-circuit.com)



RESISTANCE @ 25°C = 1,000,000 ± 5%  
 RESISTANCE/TEMPERATURE CURVE = "R"  
 BETA (0 TO +50°C) = 4,140°K NOMINAL  
 TEMPERATURE COEFFICIENT @ 25°C = -4.68%/°C NOMINAL  
 DISSIPATION CONSTANT = 2 mW/°C NOMINAL (STILL AIR)  
 THERMAL TIME CONSTANT = 5 SECONDS NOMINAL (STILL AIR)  
 THERMAL TIME CONSTANT = 0.5 SECONDS NOMINAL (STIRRED LIQUID)  
 MAXIMUM TEMPERATURE RATING = +300°C

---	ISO RELEASE	10/15/04	DD
"A"	LEAD WIRE WAS 0.020" ± 0.001" DIAMETER & 1.125" LONG NOMINAL	10/15/04	DD
REV	REVISION RECORD	DATE	APP

SCALE	NONE	<b>U.S. SENSOR CORP.</b> 1832 W. COLLINS AVE. ORANGE, CA. 92867 714-639-1000 www.ussensor.com <b>NTC THERMISTOR</b> P/N 105RG1J
DRAWN BY	R. DANKERT	
DATE	10/14/95	
REV.	"A"	
LAYER	0 OF 1	