

Excellent Integrated System Limited

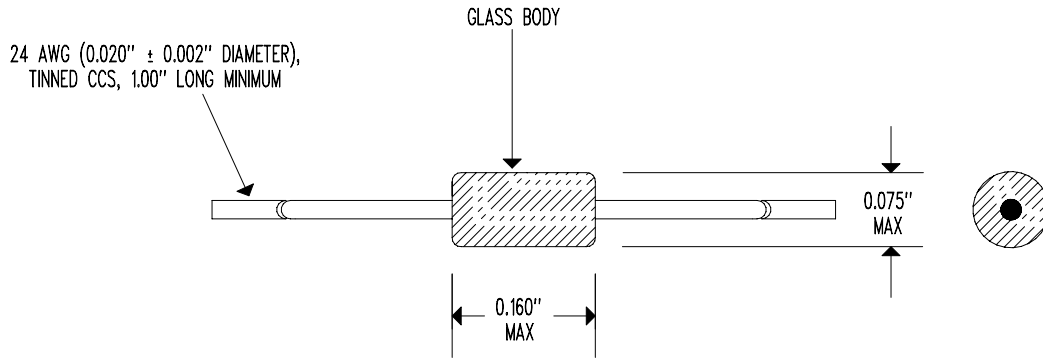
Stocking Distributor

Click to view price, real time Inventory, Delivery & Lifecycle Information:

[US Sensor](#)
[203JL1A](#)

For any questions, you can email us directly:

sales@integrated-circuit.com



RESISTANCE @ +25°C = 20,000 Ω NOMINAL
 ACCURACY (0 TO +100°C) = ± 0.50°C
 RESISTANCE/TEMPERATURE CURVE = "J"
 TEMPERATURE COEFFICIENT @ +25°C = -4.4%/°C NOMINAL
 BETA "β" (0 TO +50°C) = 3,892°K NOMINAL
 DISSIPATION CONSTANT = 2 mW/°C NOMINAL (STILL AIR)
 THERMAL TIME CONSTANT = 5 SECONDS NOMINAL (STILL AIR)
 THERMAL TIME CONSTANT = 0.5 SECONDS NOMINAL (WELL STIRRED OIL)
 MAXIMUM TEMPERATURE RATING = +300°C

| | | | |
|------|-----------------------|----------|-----|
| | | | |
| NONE | RELEASE TO PRODUCTION | 04/30/03 | DD |
| REV | REVISION RECORD | DATE | APP |

| | |
|-------------------------|---|
| SCALE NONE | © COPYRIGHT U.S. SENSOR CORP. 714-639-1000 www.ussensor.com NTC THERMISTOR |
| DRAWN BY DAN DANKERT | |
| DATE 04/30/03 | P/N 203JL1A |
| REV. NONE | |
| LAYER 0 OF 1 | |