

## Excellent Integrated System Limited

Stocking Distributor

Click to view price, real time Inventory, Delivery & Lifecycle Information:

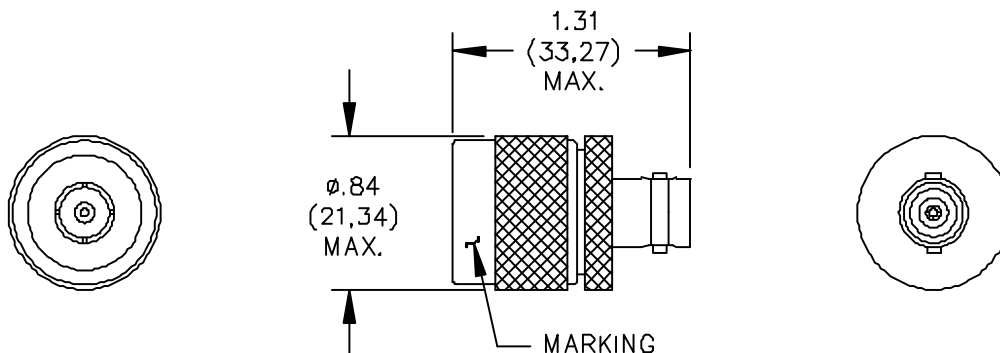
[Pomona Electronics](#)  
[3288](#)

For any questions, you can email us directly:

[sales@integrated-circuit.com](mailto:sales@integrated-circuit.com)

**Pomona**<sup>®</sup>

**Model 3288  
 Adapter  
 N (Male) To BNC (Female)**



**FEATURES:**

- Connector meets the interface requirements of MIL-STD-348.

**MATERIALS:**

Body and Fittings – Brass, Tarnish Resistant Plating, Center Contact – Gold Plated Beryllium Copper,  
 Outer Connect – Gold Plated Brass  
 Dielectric: PTFE  
 Marking: “Pomona 3288”

**RATINGS:**

Operating Voltage: Shield/Earth: 30VAC/60VDC Max.  
 Inner Conductor/Shield: 500VRMS Max.  
 Operating Temperature: -65°C to +165°C  
 Nominal Impedance: 50 Ohms

**ORDERING INFORMATION: Model 3288**

All dimensions are in inches and metric. All specifications are to the latest revisions. Specifications are subject to change without notice.  
 Registered trademarks are the property of their respective companies. Made in USA