

Excellent Integrated System Limited

Stocking Distributor

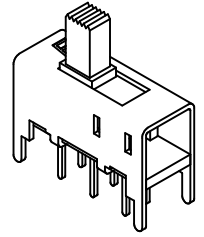
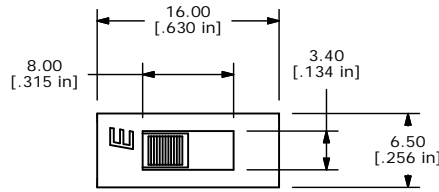
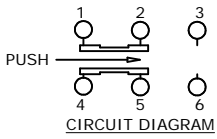
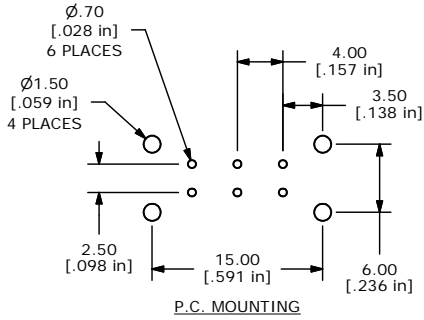
Click to view price, real time Inventory, Delivery & Lifecycle Information:

[E-Switch](#)
[EG2201A](#)

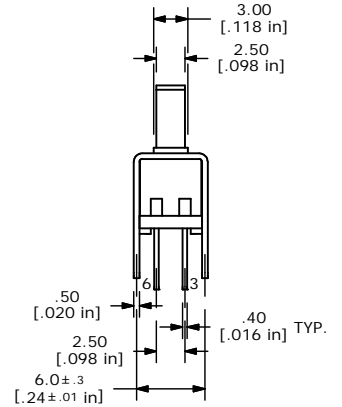
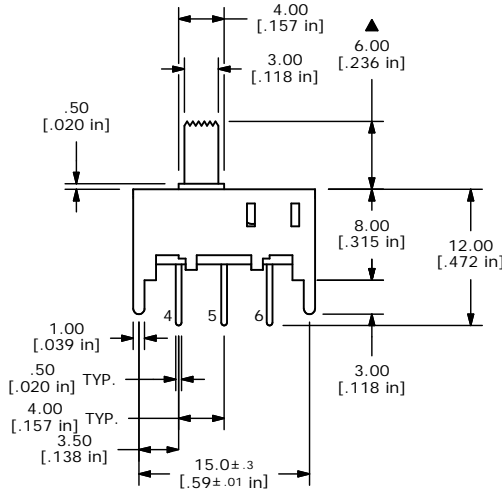
For any questions, you can email us directly:

sales@integrated-circuit.com

SHEET 1 OF 1



ISOMETRIC



- NOTES:
1. ALL DIMENSIONS IN MM
 2. GENERAL TOLERANCE: X.X=±0.4
X.XX=±0.25
 3. TERM. NOS. FOR REFERENCE ONLY.
 4. RATING: 0.2A, 30VDC RESISTIVE LOAD
 5. OPERATING FORCE: 200 ± 100 GF
 6. ▲ DENOTES CRITICAL PARAMETER



TITLE EG2201A

D	14648	REVISED AND REDRAWN	1/31/05	AR
REV	PCR NO	DESCRIPTION	DATE	BY

THE INFORMATION CONTAINED IN THIS DOCUMENT IS PROPRIETARY TO E-SWITCH AND IS NOT TO BE COPIED OR TRANSFERRED

SCALE	DATE	DR	DWG	REV
2:1	6/1/94	MM	P040071	D