



**Distributor of Conec: Excellent Integrated System Limited**

Datasheet of 3005W5SXX56N40X - D-Sub Connector Receptacle, Female Sockets 5 (Power)  
Position Board Edge, Through Hole, Right Angle Solder

Contact us: [sales@integrated-circuit.com](mailto:sales@integrated-circuit.com) Website: [www.integrated-circuit.com](http://www.integrated-circuit.com)

---

## Excellent Integrated System Limited

Stocking Distributor

Click to view price, real time Inventory, Delivery & Lifecycle Information:

[Conec](#)

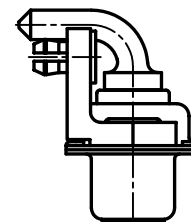
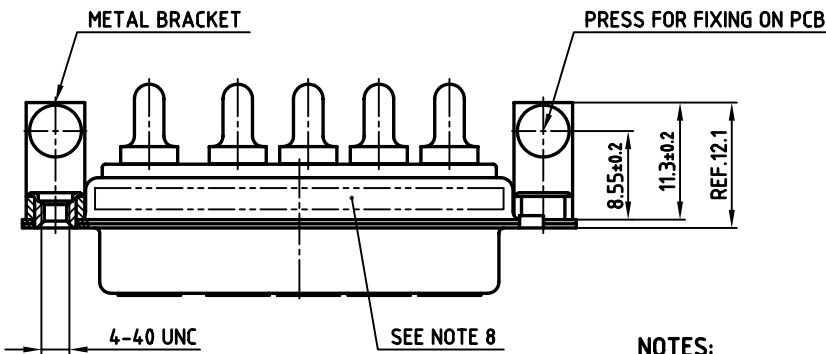
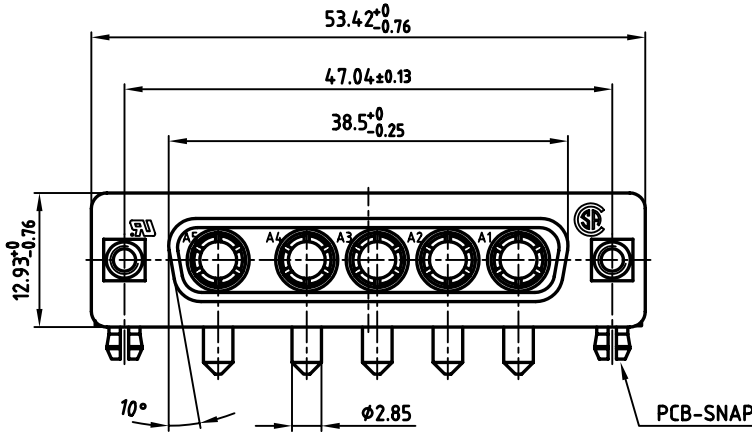
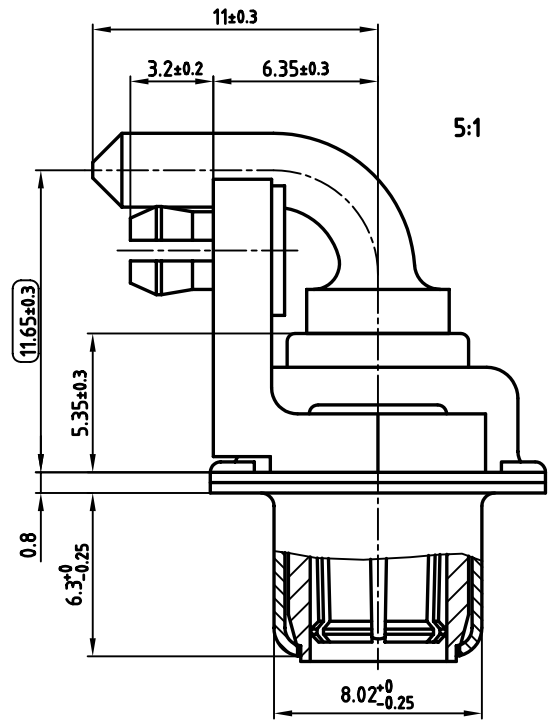
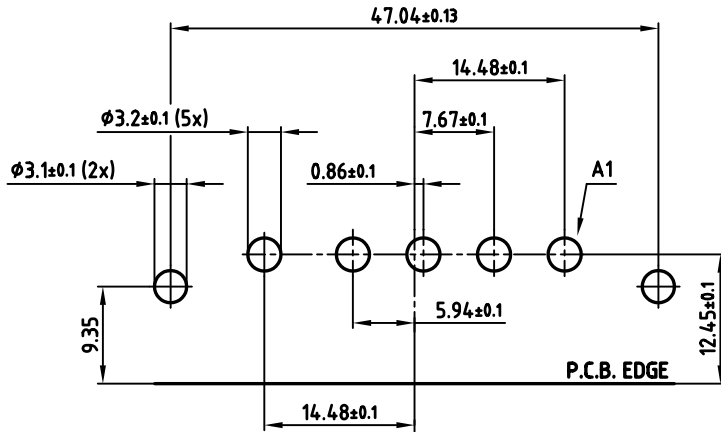
[3005W5SXX56N40X](#)

For any questions, you can email us directly:

[sales@integrated-circuit.com](mailto:sales@integrated-circuit.com)

Contact us: sales@integrated-circuit.com Website: www.integrated-circuit.com

used for: D-SUB COMBINATION



**NOTES:**

- METALSHELLS: STEEL; min. 320µ" TIN
- INSULATORS: PBT GF UL 94 V-0, GREEN
- HIGH POWER CONTACTS 20A: COPPER ALLOY  
PLATING: 30µ" HARD GOLD OVER min. 50µ" NICKEL
- METAL BRACKET: DIE-CASTING; min. 320µ" TIN over 80µ" NICKEL
- THREADED INSERT: COPPER ALLOY; min. 200µ" TIN over 80µ" NICKEL
- PCB-SNAP: COPPER ALLOY; min. 200µ" TIN over 80µ" NICKEL  
PCB-HOLE:  $\phi 3.1 \pm 0.1$ ; PCB THICKNESS 1.6mm
- MAXIMUM TORQUE VALUE FOR THREAD: 6" LBS
- CONNECTOR IS PART MARKED: 3005W5SXX56N40X CONEC ABC
- = CHECK DIMENSION

Directive 2002/95/EC  
RoHS  
Compliant

APPROVAL * FREIGABE * DEBLOCAGE * AUTORIZACION * APPROVAL	
CUSTOMER APPROVAL DATE:	
NAME:	TITLE:
COMPANY NAME:	

THIS DRAWING MAY NOT BE COPIED OR PRODUCED IN ANY WAY, AND MAY NOT BE PASSED ON TO A THIRD PARTY WITHOUT WRITTEN PERMISSION. OWNERSHIP AND COPYRIGHT OF CONEC GMBH NOT ALTER CAD DRAWING BY HAND

tolerance	dim. in mm	
2006	date	name
drawn	08.02.	Lehmenkühler
appd.	08.02.	Mickenbecker
norm		
d-old		
a	Origin	

scale:	2:1 (5:1)	
material:	SEE NOTES	
title:	<b>D-SUB COMBINATION FEMALE 90°</b>	
	5W5S	
	with threaded insert, metal bracket and clip	
dwg no:	AutoCAD 2004	DIN-A
	13K1A1709	3
		sh: 1/1

