



Distributor of Conec: Excellent Integrated System Limited

Datasheet of 6STD09SCM99B30X - D-Sub Connector Receptacle, Female Sockets 9 Position
Panel Mount Solder Cup

Contact us: sales@integrated-circuit.com Website: www.integrated-circuit.com

Excellent Integrated System Limited

Stocking Distributor

Click to view price, real time Inventory, Delivery & Lifecycle Information:

[Conec](#)

[6STD09SCM99B30X](#)

For any questions, you can email us directly:

sales@integrated-circuit.com

6

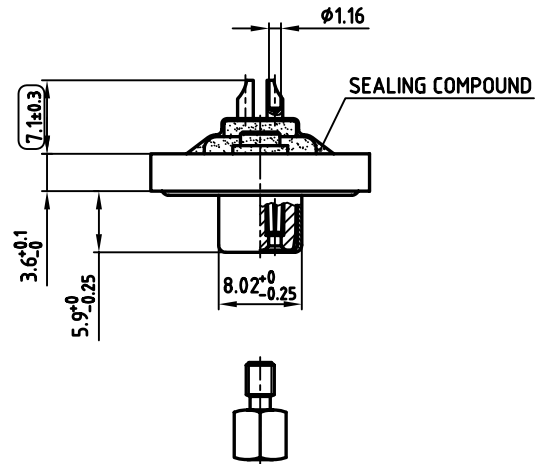
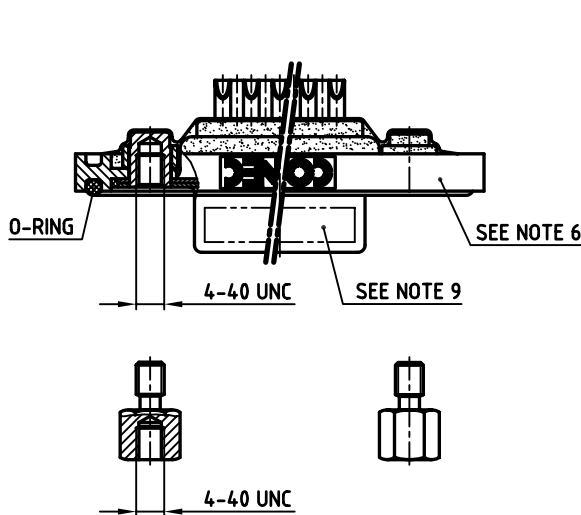
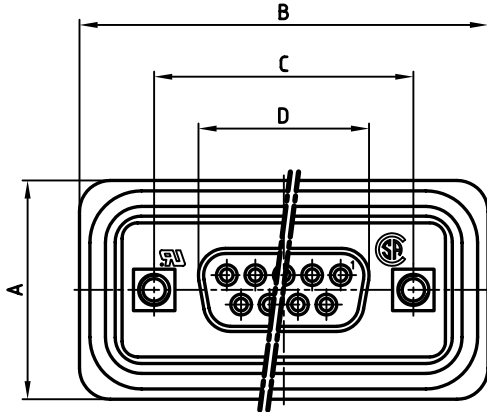
Contact us: sales@integrated-circuit.com Website: www.integrated-circuit.com

1

used for: D-SUB

AT ALL TIMES WATER RESISTANT CONNECTORS NOT IN USE SHOULD BE COVERED WITH A CONEC WATER RESISTANT CAP OR WATER TIGHT HOOD.

No. of pos.	A ^{+0.2}	B ^{+0.2}	C	D ^{-0.25}	PART NO.
9	21.1	39.4	25.00 ^{+0.12} _{-0.13}	16.46	6STD09SCM99B30X
15	21.1	47.7	33.30 ^{+0.15} _{-0.1}	24.79	6STD15SCM99B30X
25	21.1	61.4	47.04 ^{+0.13}	38.50	6STD25SCM99B30X
37	21.1	77.9	63.50 ^{+0.13}	54.96	6STD37SCM99B30X



NOTES:

- METALSHELLS: COPPER ALLOY; min. 320µ" TIN
- INSULATORS: PBT GF UL 94 V-0, BLACK
- CONTACTS: COPPER ALLOY
PLATING: 30µ" HARD GOLD OVER min. 50µ" NICKEL
SOLDER CUP ACCEPTS CABLE AWG 20
- THREADED INSERT: COPPER ALLOY; min. 200µ" TIN over 80µ" NICKEL
- COLLAR: COPPER ALLOY; min. 200µ" TIN over 80µ" NICKEL
- FRAME: ZINC DIECAST; NICKEL PLATED
- HEXLOCKING SCREW: STAINLESS STEEL
- MAXIMUM TORQUE VALUE FOR THREAD: 6" LBS
- CONNECTOR IS PART MARKED: PART-NO. CONEC ABC
- = CHECK DIMENSION

Directive 2002/95/EC
"RoHS"
Compliant

APPROVAL # FREIGABE # DEBLOCAGE # AUTORIZACION # APPROVAL	
CUSTOMER APPROVAL DATE:	
NAME:	TITLE:
COMPANY NAME:	

THIS DRAWING MAY NOT BE COPIED OR PRODUCED IN ANY WAY, AND MAY NOT BE PASSED ON TO A THIRD PARTY WITHOUT WRITTEN PERMISSION. OWNERSHIP AND COPYRIGHT OF CONEC GMBH NOT ALTER CAD DRAWING BY HAND

a	Origin
---	--------

tolerance		⊕	scale: 2:1
material: SEE NOTES			material: SEE NOTES
2006	date	name	title: D-SUB FEMALE 9-37pos. SOLDER CUP with threaded insert and hexlocking screw
drawn	09.02.	Lehnenkühler	
appd.	09.02.	Mickenbecker	
norm	DIN 41652		
d-old			

dwg no: 18K1A424	AutoCAD 2004
DIN-A 3	
sh: 1/1	

