

Excellent Integrated System Limited

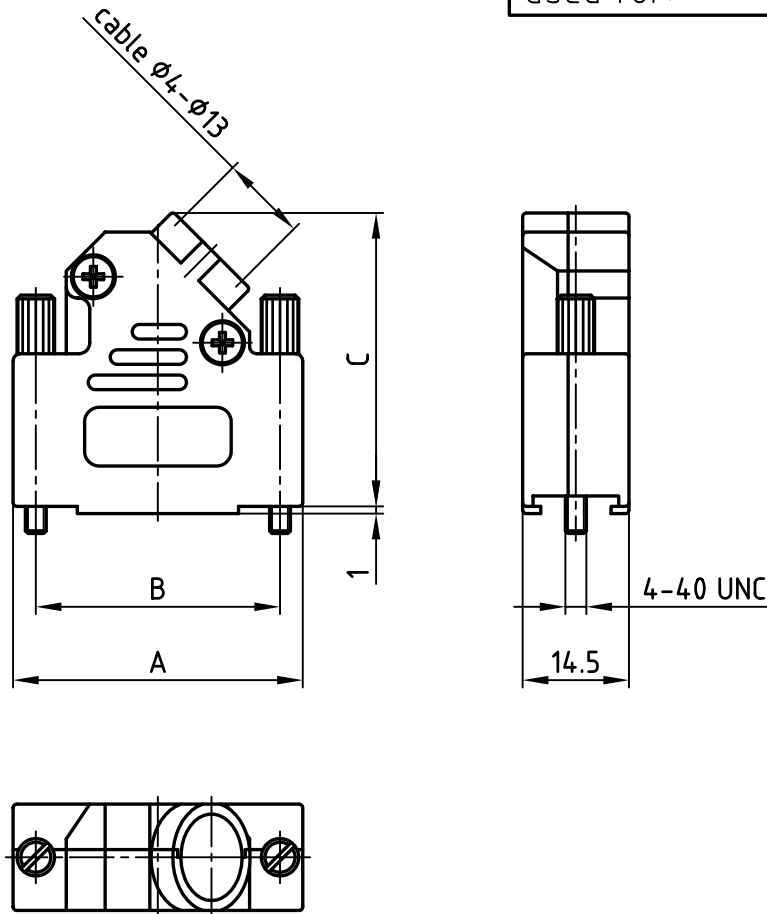
Stocking Distributor

Click to view price, real time Inventory, Delivery & Lifecycle Information:

[Conec](#)
[165X02719XE](#)

For any questions, you can email us directly:
sales@integrated-circuit.com

4 3 2 1 used for: D-SUB



No. of pos.	A	B	C	Part NO.
9	31.0	25.0	36.2	165X02689XE
15	39.5	33.3	40.2	165X02699XE
25	53.2	47.0	40.2	165X02709XE
37	69.7	63.5	40.2	165X02719XE

Directive 2002/95/EC
"RoHS"
Compliant

APPROVAL # FREIGABE # DEBLOCAGE # AUTORIZACION # APPROVAL

CUSTOMER APPROVAL DATE:

NAME: TITLE:

COMPANY NAME:

APPROVAL # FREIGABE # DEBLOCAGE # AUTORIZACION # APPROVAL

Technical Data:

Material and finish: zinc die-cast, nickel plated
 Cable strain relief: steel fibre reinforced polycarbonate UL 94 V-0
 Temperature range: -40°C to +120°C
 Attenuation factor: > 40dB between 30 MHz and 1 GHz

THIS DRAWING MAY NOT BE COPIED OR REPRODUCED IN ANY WAY, AND MAY NOT BE PASSED ON TO A THIRD PARTY WITHOUT WRITTEN PERMISSION.
 OWNERSHIP AND COPYRIGHT OF CONEC GmbH
 DO NOT ALTER CAD DRAWING BY HAND

tolerance		dim. in mm	
2006	date	name	
drawn	09.02.	Lehmenkühler	
appd.	09.02.	Mickenbecker	
norm	DIN 41652		
d-old			
a	Origin		
rev.	description	date	name

scale:	1:1
material:	SEE NOTES
title:	METAL HOOD 9-37pos. EMI/RFI SHIELDING with side cable exit and jack screws
dwg no:	AutoCAD 2004 DIN-A
	16K1A1745 4
part no:	SEE TABLE sh: 1/1

