

Excellent Integrated System Limited

Stocking Distributor

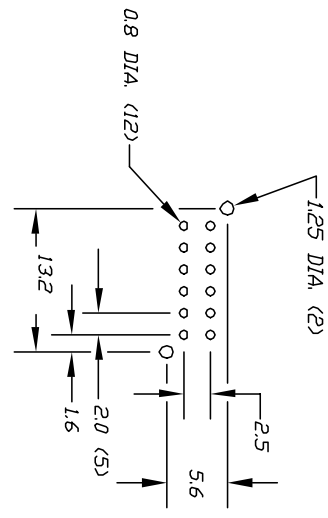
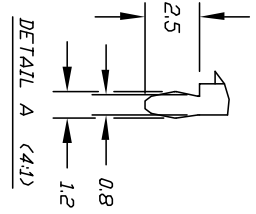
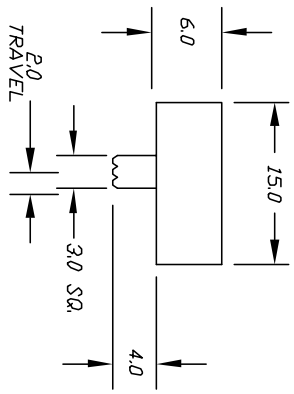
Click to view price, real time Inventory, Delivery & Lifecycle Information:

[E-Switch](#)
[EG4208](#)

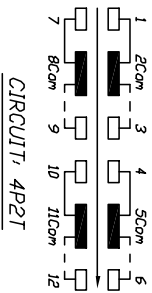
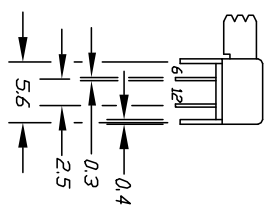
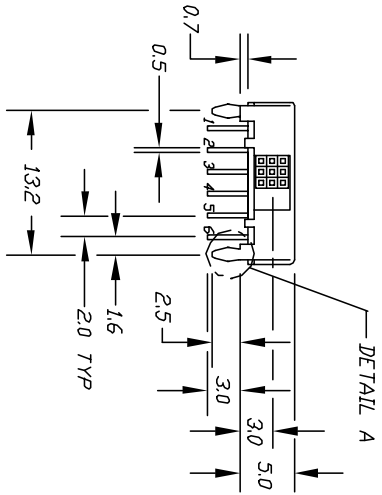
For any questions, you can email us directly:

sales@integrated-circuit.com

SHEET 01



RECOMMEND P.C.B. HOLES



CONTACT CONFIGURATION

SWITCH FUNCTION	POS. 1	POS. 2
1-2,4-5		
7-8,10-11		

NOTES:

1. ALL DIMENSIONS IN MM
2. TERM. NOS. FOR REF ONLY

REV. C	REVISE & REDRAWN	DATE	CHKD
DESCRIPTION			
THE INFORMATION CONTAINED IN THIS DOCUMENT IS PROPRIETARY TO E-SWITCH AND IS NOT TO BE COPIED OR TRANSMITTED			

TOLERANCES	
0.0	±0.4
0.00	±0.25

TITLE	EG 4208 NON SHORTING		
SCALE	2:1	DATE	10/19/95
DR	MM	DWG	P040280
REV	C		

E-SWITCH®