

Excellent Integrated System Limited

Stocking Distributor

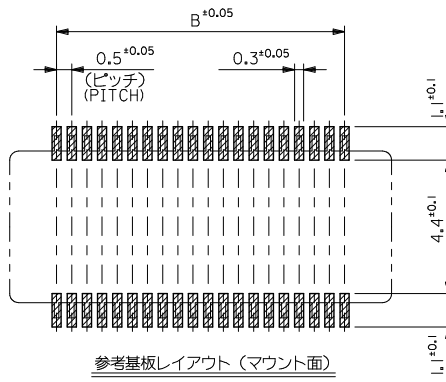
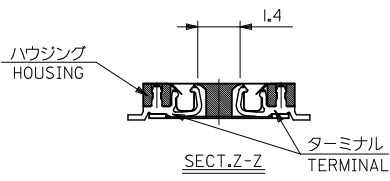
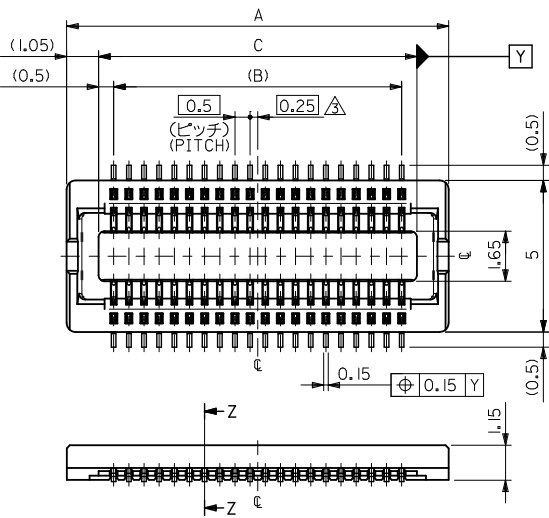
Click to view price, real time Inventory, Delivery & Lifecycle Information:

[Molex Connector Corporation](#)
[0547220228](#)

For any questions, you can email us directly:

sales@integrated-circuit.com

10 9 8 7 6 5 4 3 2 1



参考基板レイアウト (マウント面)
P.C. BOARD PATTERN
DIMENSION (REF.)
(MOUNTING AREA)

30極以下品形状
SHAPE OF 30 CIRCUITS OR LESS

注記 NOTES:

1. 使用材料 MATERIAL
ハウジング: 液晶ポリマー ガラス充填, UL94V-0 (黒)
HOUSING: LIQUID CRYSTAL POLYMER (GLASS FILLED)
UL94V-0, (COLOR: BLACK)
ターミナル: リン青銅 (t=0.15)
TERMINAL: PHOSPHOR BRONZE (t=0.15)
2. メッキ仕様 PLATING
金メッキ 0.25 MICROMETER MINIMUM (コンタクト部)
GOLD 0.25 MICROMETER MINIMUM (CONTACT AREA)
金メッキ 0.4 MICROMETER MAXIMUM (テール部)
GOLD 0.4 MICROMETER MAXIMUM (TAIL AREA)
下地メッキ: ニッケルメッキ 1.5 MICROMETER MINIMUM
UNDER PLATING: NICKEL 1.5 MICROMETER MINIMUM

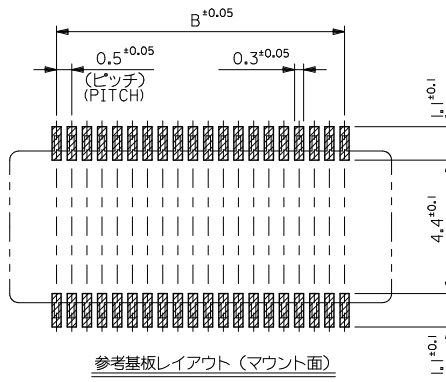
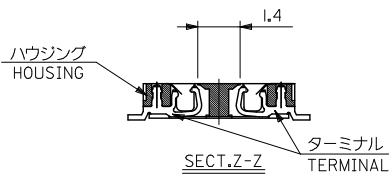
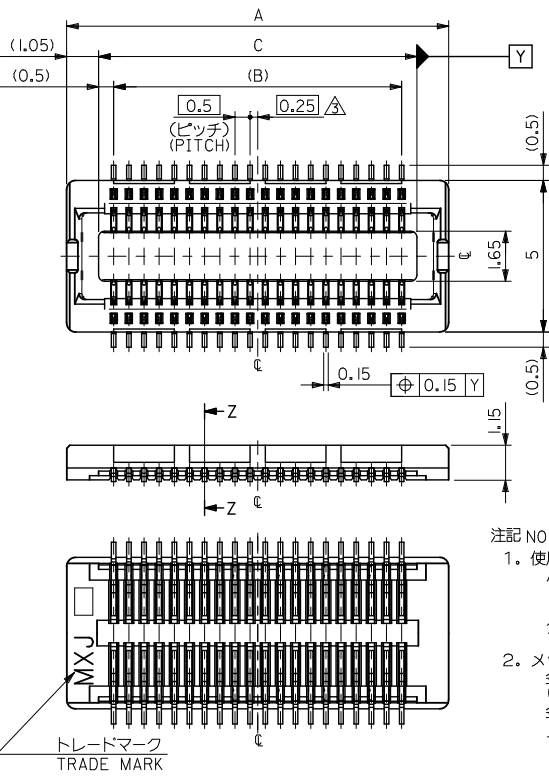
- △ (全極数/2) = 偶数の場合に適用。
APPLY FOR (CIRCUIT/2) = EVEN.
4 嵌合相手: 55560 シリーズ, 53794 シリーズ
MATE WITH: 55560 SERIES, 53794 SERIES.
5 テール平坦度は 0.1 MAXIMUM.
TAIL COPLANARITY TO BE 0.1 MAXIMUM.

8.0	7.0	10.1	54722-0301	30
6.5	5.5	8.6	54722-0241	24
6.0	5.0	8.1	54722-0221	22
5.5	4.5	7.6	54722-0201	20
4.5	3.5	6.6	54722-0161	16
C	B	A	MATERIAL. NO	極数 CIRCUIT

MODEL NO. 54722-***I

REVISED EC NO. J2010-1532 DRAWN BY DRUNKYAMANE 2010/02/01 CHKD: SMURUYAMA 2010/02/01 APPR: HISASAO 2010/02/01 REV H	GENERAL TOLERANCES (UNLESS SPECIFIED)		DIMENSION STYLE MM ONLY	SCALE ---	DESIGN UNITS METRIC	THIRD ANGLE PROJECTION
	10 UNDER	± 0.20	DRAWN BY S. AIHARA	DATE 2000/10/05	TITLE 0.5 B-T0-B CONN REC HOUSING ASSY (HGT=1.5) (SHEET 1 OF 2)	
	10 OVER 30 UNDER	± 0.25	CHECKED BY T. ITO	DATE 2000/10/05	MOLEX INCORPORATED	
	30 OVER	± 0.3	APPROVED BY M. FUKUSHIMA	DATE 2000/10/05	DOCUMENT NO. SD-54722-007	SHEET NO. 1 OF 2
	ANGULAR	± 3 °	MATERIAL NO. SEE CHART	THIS DRAWING CONTAINS INFORMATION THAT IS PROPRIETARY TO MOLEX INCORPORATED AND SHOULD NOT BE USED WITHOUT WRITTEN PERMISSION		

10 9 8 7 6 5 4 3 2 1



参考基板レイアウト (マウント面)
P.C. BOARD PATTERN
DIMENSION. (REF.)
(MOUNTING AREA)

34極以上品形状
SHAPE OF 34CIRCUITS OR MORE

- 注記 NOTES:
- 使用材料 MATERIAL
ハウジング: 液晶ポリマー ガラス充填, UL94V-0 (黒)
HOUSING: LIQUID CRYSTAL POLYMER (GLASS FILLED)
UL94V-0, (COLOR: BLACK)
ターミナル: リン青銅 (t=0.15)
TERMINAL: PHOSPHOR BRONZE (t=0.15)
 - メッキ仕様 PLATING
金メッキ 0.25 MICROMETER MINIMUM (コンタクト部)
GOLD 0.25 MICROMETER MINIMUM. (CONTACT AREA)
金メッキ 0.4 MICROMETER MAXIMUM (テール部)
GOLD 0.4 MICROMETER MAXIMUM. (TAIL AREA)
下地メッキ: ニッケルメッキ 1.5 MICROMETER MINIMUM
UNDER PLATING: NICKEL 1.5 MICROMETER MINIMUM

- △ (全極数/2) = 偶数の場合に適用。
APPLY FOR (CIRCUIT/2)=EVEN.
4 組合相手: 55560 シリーズ, 53794 シリーズ
MATE WITH: 55560 SERIES, 53794 SERIES.
5 テール平坦度は 0.1 MAXIMUM.
TAIL COPLANARITY TO BE 0.1 MAXIMUM.

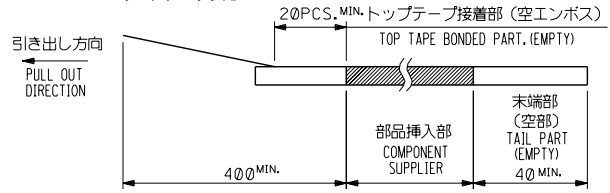
20.5	19.5	22.6	54722-0801	80
15.5	14.5	17.6	54722-0601	60
13.0	12.0	15.1	54722-0501	50
10.5	9.5	12.6	54722-0401	40
9.0	8.0	11.1	54722-0341	34
C	B	A	MATERIAL. NO	極数 CIRCUIT

SEE SHEET 1 OF 2 EC NO. J2010-1532 DRAWN BY: DRWANKYAMANE 2010/02/01 CHECKED BY: CHIKO-SWARUYAMA 2010/02/01 APPROVED BY: APPR:HSASAO 2010/02/01	GENERAL TOLERANCES (UNLESS SPECIFIED)		DIMENSION STYLE	SCALE	DESIGN UNITS	MODEL NO. 54722-***1
	10 UNDER	± 0.20	MM ONLY	---	METRIC	THIRD ANGLE PROJECTION
	10 OVER 30 UNDER	± 0.25	DRAWN BY: S. AIHARA 2001/02/13	DATE	TITLE	0.5 B-T0-B CONN REC HOUSING ASSY (HGT=1.5) (SHEET 2 OF 2)
	30 OVER	± 0.3	CHECKED BY: T. ITO 2001/02/13	DATE	MOLEX INCORPORATED	
ANGULAR	± 3 °	APPROVED BY: M. FUKUSHIMA 2001/02/13	DATE	DOCUMENT NO.	SD-54722-007	SHEET NO. 2 OF 2
DRAFT WHERE APPLICABLE MUST REMAIN WITHIN DIMENSIONS		SEE CHART	THIS DRAWING CONTAINS INFORMATION THAT IS PROPRIETARY TO MOLEX INCORPORATED AND SHOULD NOT BE USED WITHOUT WRITTEN PERMISSION			

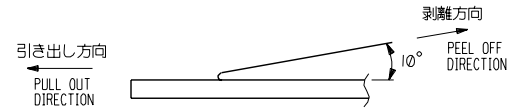
DWG. NO. SD-54722-010

NOTES

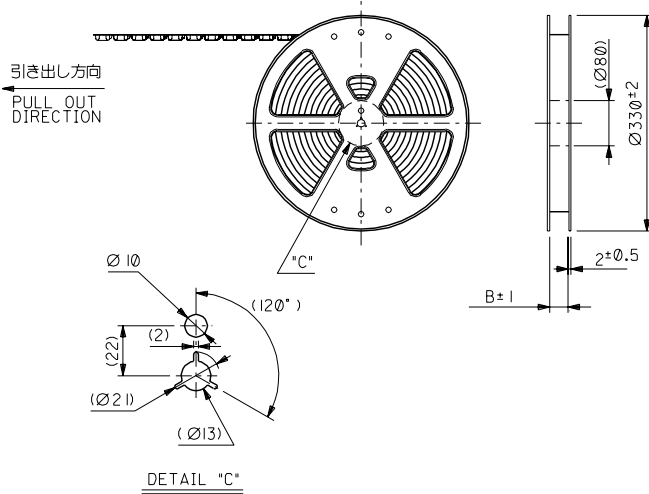
- 製品詳細寸法については図面 SD-54722-007 を参照下さい。
RE DETAILED DIMENSION, SEE SD-54722-007
- 梱包数量：2000個/リール
NUMBER OF CONNECTORS : 2000PCS/REEL
- リードテープ長さ LEAD TAPE LENGTH
20PCS. MIN. トップテープ接着部 (空インボス)



- トップテープの剥離強度：0.1N ~ 0.7N (10.2gf ~ 71.4gf)
(剥離方向は下図参照)
尚、本規格値は出荷時に適用。(但し、輸送時に剥離が発生しないこと。)
PEELING OFF FORCE OF TOP TAPE : 0.1N ~ 0.7N (10.2gf ~ 71.4gf)
(PEELING DIRECTION AS SHOWN IN FOLLOWING FIG.)
THIS REQUIREMENT SHOULD BE APPLIED AT SHIPMENT.
PEEL OFF SHOULD NOT BE ALLOWED , DURING TRANSPORTATION.

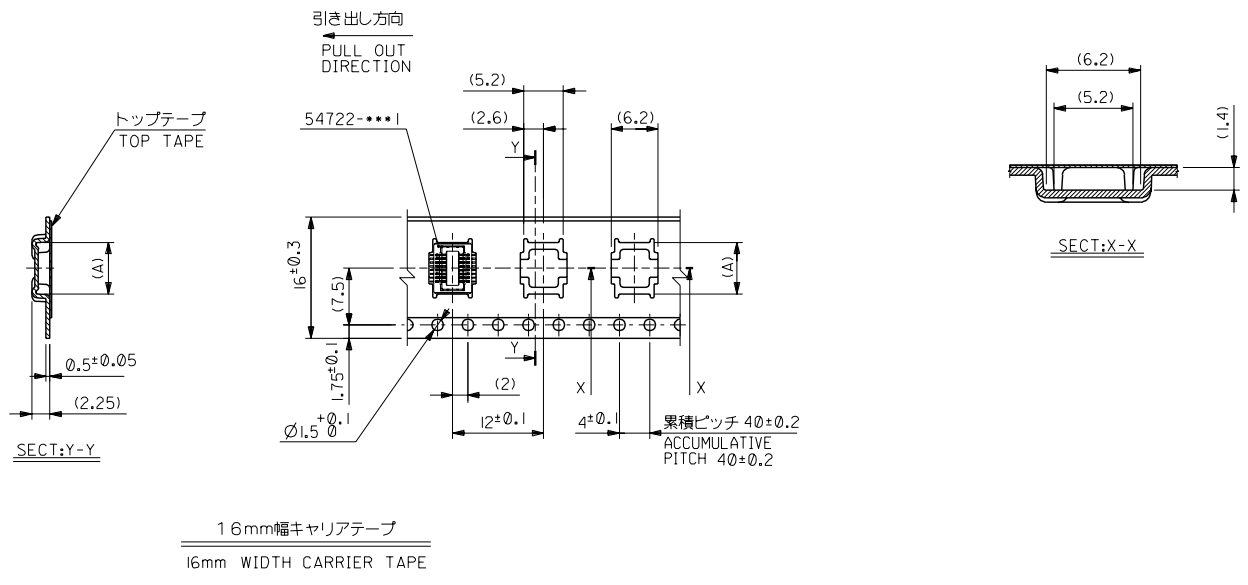


- 材料 (MATERIAL)
キャリアテープ：ポリプロピレン (PP)
CARRIER TAPE : POLYPROPYLENE (PP)
トップテープ：PET, PE, PEF
TOP TAPE : PET, PE, PEF
リール：ポリスチレン (PS) <リサイクル材を含む>
REEL : POLYSTYRENE (PS) <RECYCLE MATERIAL CONTAINED>



DO NOT SCALE DRAWING	8 ENG. DRWN: CHK: APPR: 7 ENG. DRWN: CHK: APPR: 6 REVISED 01/09/19 0500 NO. J2002-0650 DRWN: TAKEUCHI CHK: TITO APPR: Y. YAMAGUCHI PROPOSED 0500 NO. JC2001-0402 DRWN: S. AIHARA 00/11/28 CHK: TITO APPR: M. FUKUSHIMA	MATERIAL 材料 注記参照 SEE NOTES FINISH 仕上げ // WIRE RANGE 適用電線範囲 // INS. RANGE 適用外径 //	GENERAL TOLERANCES (UNLESS SPECIFIED) 一般公差 10 UNDER 未満 ±0.2 10 OVER 以上 30 UNDER 未満 ±0.25 30 OVER 以上 ±0.3 ANGLE 角度 ±3°	SCALE 縮尺 -- DESIGN UNITS 設計単位 <input checked="" type="checkbox"/> MM <input type="checkbox"/> INCH DRAWN BY & DATE S. AIHARA '00/11/28 CHECKED BY & DATE T. TITO '01/09/19 APPROVED BY & DATE T. YAMAGUCHI '01/09/19 CAD FILENAME 54722010.S01	MODEL NO. 54722-***8 DIMENSIONS: <input checked="" type="checkbox"/> 20° PROJECTION <input type="checkbox"/> ANGLE <input type="checkbox"/> MM <input type="checkbox"/> INCH <input type="checkbox"/> MM ONLY TITLE: 0.5 B-To-B Conn Rec Assy (Hgt=1.5) Embstp Pkg MOLEX INCORPORATED MATERIAL NO. SEE CHART DRAWING NO. SD-54722-010 SHEET NO. 1 OF 3 SIZE B EN-02J(097) MXJ-54	SHT REV REVISE ON CAD ONLY							
							8	7	6	5	4	3	2
							THIS DRAWING CONTAINS INFORMATION THAT IS PROPRIETARY TO MOLEX INCORPORATED AND SHOULD NOT BE USED WITHOUT WRITTEN PERMISSION.						

DWG. NO. SD-54722-010



16	17.5	6.8	54722-0168	16
キャリアテープ幅 CARRIER TAPE WIDTH		B	(A)	極致 CIRCUIT
MODEL NO.		54722-***8		MATERIAL NO.

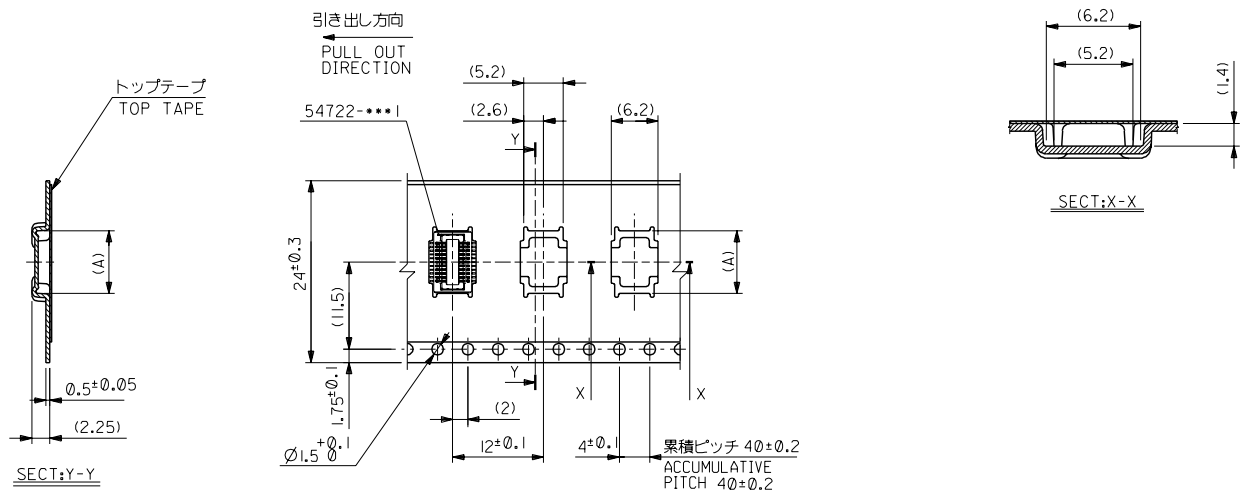
DIMENSIONS:		SHT		REV	
<input checked="" type="checkbox"/>	PROJ ANGLE	<input type="checkbox"/>	MM	<input type="checkbox"/>	
<input type="checkbox"/>	INCH	<input type="checkbox"/>	MM	<input checked="" type="checkbox"/>	
<input type="checkbox"/>	MM	<input checked="" type="checkbox"/>	ONLY	<input type="checkbox"/>	
DRAWN BY & DATE S.AIHARA '00/11/28				TITLE: 0.5 B-To-B Conn Rec Assy (Hgt=1.5) Embstp Pkg	
CHECKED BY & DATE T.IITO '01/09/19					
APPROVED BY & DATE T.YAMAGUCHI '01/09/19					
CAD FILENAME 54722010.S02		MATERIAL NO. SEE CHART		DRAWING NO. SD-54722-010	
THIS DRAWING CONTAINS INFORMATION THAT IS PROPRIETARY TO MOLEX INCORPORATED AND SHOULD NOT BE USED WITHOUT WRITTEN PERMISSION.					
EN-02J(097) MXJ-54				SHEET NO. 2 OF 3	SIZE B

8	7	6	5	4	3	2
REVISED '01/09/19		PROPOSED		GENERAL TOLERANCES: (UNLESS SPECIFIED)		SCALE
DRW: R.TAKEUCHI		DRW: S.AIHARA '00/11/28		10 UNDER 未満 ±0.2		DESIGN UNITS
CHK: T.IITO		CHK: T.IITO		10 OVER 30 UNDER 未満 ±0.25		<input checked="" type="checkbox"/> mm <input type="checkbox"/> INCH
APPR: T.YAMAGUCHI		APPR: M.FUKUSHIMA		30 OVER 以上 ±0.3		<input type="checkbox"/> PROJ ANGLE
MATERIAL 材料		DESCRIPTION		ANGLE 角度 ±3°		<input type="checkbox"/> INCH
SHEET 1 OF 3 参照 REFER TO SHEET 1 OF 3		FINISH 仕上げ //		CAD FILENAME		<input checked="" type="checkbox"/> ONLY
WIRE RANGE 適用電線範囲 //		JMS. RANGE 接線外径 //		54722010.S02		<input type="checkbox"/>

DO NOT SCALE DRAWING

54722010.S02

DWG. NO. SD-54722-010



24mm幅キャリアテープ
24mm WIDTH CARRIER TAPE

24	25.5	10.3	54722-0308	30
		8.3	54722-0228	22
キャリアテープ幅 CARRIER TAPE WIDTH		B	(A)	極致 CIRCUIT
MODEL NO.		54722-***8		極致 CIRCUIT

DO NOT SCALE DRAWING

8 824NO. DRWN: CHK: APPR: 823NO. DRWN: CHK: APPR: 822NO. DRWN: CHK: APPR:		7 REVISED 01/09/19 821 NO. J2002-0650 DRWN: TAKEUCHI CHK: TITO APPR: I.YAMAGUCHI		6 PROPOSED 820 NO. JC2001-0402 DRWN: SAHARA 00/11/28 CHK: TITO APPR: M.FUKUSHIMA		5 MATERIAL 材料 SHEET 1 OF 3 参照 REFER TO SHEET 1 OF 3 FINISH 仕上げ // WIRE RANGE 適用電線範囲 // INS. RANGE 绝缘外径 //		4 GENERAL TOLERANCES: (UNLESS SPECIFIED) 一般公差 10 UNDER 未満 ±0.2 10 OVER 以上 30 UNDER 未満 ±0.25 30 OVER 以上 ±0.3 ANGLE 角度 ±3°		3 SCALE 1:1 DESIGN UNITS 0mm 0INCH DRAWN BY & DATE S.AIHARA 00/11/28 CHECKED BY & DATE T.ITO 01/09/19 APPROVED BY & DATE T.YAMAGUCHI 01/09/19 CAD FILENAME 54722010.S03 THIS DRAWING CONTAINS INFORMATION THAT IS PROPRIETARY TO MOLEX INCORPORATED AND SHOULD NOT BE USED WITHOUT WRITTEN PERMISSION.		2 DIMENSIONS: 寸法 PROJECTION 第一角 mm INCH mm ONLY TITLE: 0.5 B-To-B Conn Rec Assy (Hgt=1.5) Embstp Pkg MOLEX MOLEX INCORPORATED MATERIAL NO. SEE CHART DRAWING NO. SD-54722-010 SHEET NO. 3 OF 3 SIZE B EN-02J(097) MXJ-54	
---	--	---	--	---	--	---	--	---	--	---	--	--	--