

## Excellent Integrated System Limited

Stocking Distributor

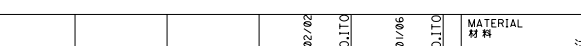
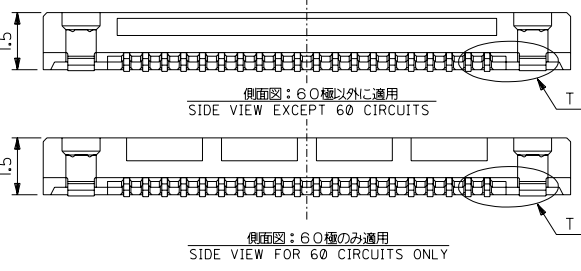
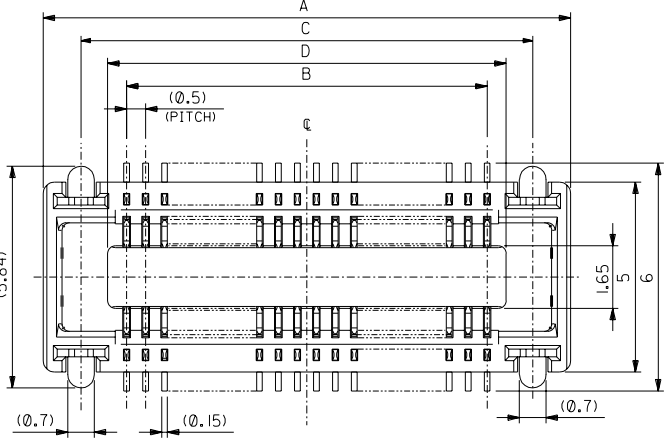
Click to view price, real time Inventory, Delivery & Lifecycle Information:

[Molex Connector Corporation](#)  
[54363-0678](#)

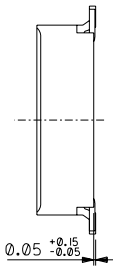
For any questions, you can email us directly:

[sales@integrated-circuit.com](mailto:sales@integrated-circuit.com)

DWG. NO. SD-54363-038



- 注記 NOTES:
- 材質 MATERIAL  
ハウジング: LCP (液晶ポリマー)、ガラス充填、黒色、UL 94V-0  
HOUSING: LCP (LIQUID CRYSTAL POLYMER), GLASS FILLED, BLACK, UL94V-0  
ターミナル: 銅合金 (t=0.15)  
TERMINAL: COPPER ALLOY (t=0.15)  
ネイル: 銅合金 (t=0.2)  
NAIL: COPPER ALLOY (t=0.2)
  - メッキ仕様 PLATING  
ターミナル TERMINAL  
接点部: 金メッキ 0.25 マイクロメートル以上  
CONTACT AREA: GOLD 0.25 MICROMETER MINIMUM  
半田付部: 金メッキ 0.4 マイクロメートル以下  
SOLDER TAIL AREA: GOLD 0.4 MICROMETER MAXIMUM  
下地メッキ: ニッケルメッキ 1.5 マイクロメートル以上  
UNDER PLATING: NICKEL 1.5 MICROMETER MINIMUM  
ネイル NAIL  
銅メッキ 3.0 マイクロメートル以上  
Sn 3.0 MICROMETER MINIMUM  
下地メッキ: ニッケルメッキ 1.0 マイクロメートル以上  
UNDER PLATING: Ni 1.0 MICROMETER MINIMUM
  - テール平坦度は、0.08 ミリメートル以下。テールとネイルを併せた平坦度は、0.1 ミリメートル以下。  
TAIL COPPLANARITY TO BE 0.08 MAXIMUM, TAILS AND NAILS COPPLANARITY TO BE 0.1 MAXIMUM.
  - 嵌合相手: 55299-\*\*\* (H=3mm)  
: 55201-\*\*\*, 55650-\*\*\* (H=2mm)  
MATED CONN.: 55299-\*\*\* (H=3mm)  
: 55201-\*\*\*, 55650-\*\*\* (H=2mm)
  - この製品は 54363-\*\*\*01, (エンボス梱包品 54363-\*\*\*08) の姉妹品です。  
THIS PRODUCT IS 'LEAD FREE' OF 54363-\*\*\*01, (EMBOSSED TAPE PKG 54363-\*\*\*08)



|      |      |      |      |            |            |     |   |
|------|------|------|------|------------|------------|-----|---|
| 40.5 | 41.9 | 39.5 | 43.9 | 54363-1678 | 54363-1671 | 160 | — |
| 35.5 | 36.9 | 34.5 | 38.9 | 54363-1478 | 54363-1471 | 140 | ○ |
| 30.5 | 31.9 | 29.5 | 33.9 | 54363-1278 | 54363-1271 | 120 | ○ |
| 28   | 29.4 | 27   | 31.4 | 54363-1178 | 54363-1171 | 110 | ○ |
| 25.5 | 26.9 | 24.5 | 28.9 | 54363-1078 | 54363-1071 | 100 | ○ |
| 23   | 24.4 | 22   | 26.4 | 54363-0978 | 54363-0971 | 90  | — |
| 20.5 | 21.9 | 19.5 | 23.9 | 54363-0878 | 54363-0871 | 80  | ○ |
| 18   | 19.4 | 17   | 21.4 | 54363-0778 | 54363-0771 | 70  | ○ |
| 15.5 | 16.9 | 14.5 | 18.9 | 54363-0678 | 54363-0671 | 60  | ○ |
| 13   | 14.4 | 12   | 16.4 | 54363-0578 | 54363-0571 | 50  | ○ |
| 10.5 | 11.9 | 9.5  | 13.9 | 54363-0478 | 54363-0471 | 40  | ○ |
| 8    | 9.4  | 7    | 11.4 | 54363-0378 | 54363-0371 | 30  | ○ |
| 5.5  | 6.9  | 4.5  | 8.9  | 54363-0278 | 54363-0271 | 20  | ○ |

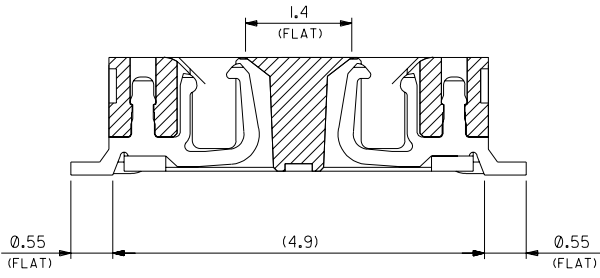
| D | C | B | A | エンボス梱包品<br>EMBOSSED TAPE PACKAGING | 製品番号<br>MATERIAL NO. | 極数<br>CIRCUITS | 量産対応<br>AVAILABLE                |
|---|---|---|---|------------------------------------|----------------------|----------------|----------------------------------|
|   |   |   |   |                                    |                      |                | SHT REV<br>REVISE ON<br>CAD ONLY |

DO NOT SCALE DRAWING

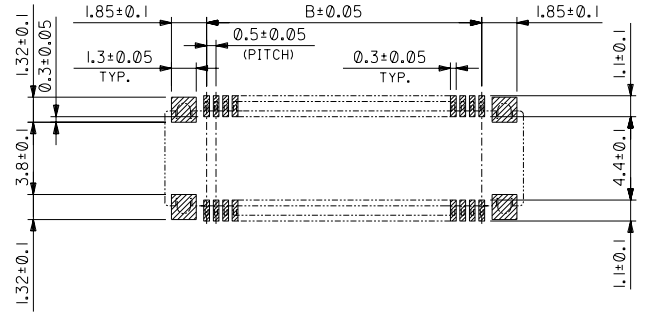
|                                  |                                  |                                  |   |  |                                     |                                    |                      |                    |
|----------------------------------|----------------------------------|----------------------------------|---|--|-------------------------------------|------------------------------------|----------------------|--------------------|
| EC NO.<br>DRWN:<br>CHK:<br>APPR: | EC NO.<br>DRWN:<br>CHK:<br>APPR: | EC NO.<br>DRWN:<br>CHK:<br>APPR: | REVISED<br>ECNNO. J2004-2225<br>DRWN: A.IDA '04/01/06<br>CHK: H.TAKASE<br>APPR: MITAZAWA/YO.ITO | RELEASED<br>ECNNO. J2004-1740<br>DRWN: A.IDA '04/01/06<br>CHK: H.TAKASE<br>APPR: MIYAZAWA/YO.ITO | MATERIAL<br>材料<br>注記参照<br>SEE NOTES | FINISH<br>仕上げ<br>注記参照<br>SEE NOTES | WIRE RANGE<br>適用電線範囲 | INS. RANGE<br>被覆外径 |
|----------------------------------|----------------------------------|----------------------------------|---|--|-------------------------------------|------------------------------------|----------------------|--------------------|

|   |                |  |                           |  |   |  |   |
|---|----------------|--|---------------------------|--|---|--|---|
| GENERAL TOLERANCES:<br>(UNLESS SPECIFIED)<br>一般公差 | SCALE<br>10-1  | DESIGN UNITS<br>mm INCH  | THIRD ANGLE<br>PROJECTION | DIMENSIONS:<br>mm INCH mm INCH mm ONLY | TITLE:<br>0.5 mm PITCH B/B CONN. REC. HOUSING ASS'Y<br>(H=2,3mm) WITH FITTING NAIL<br>-LEAD FREE- | MATERIAL NO.<br>DRAWING NO.<br>SHEET NO. |   |
| 10 UNDER<br>未満                                    |                | DRAWN BY & DATE<br>A. Iida '04/01/06   | ☉                         | mm INCH mm INCH mm ONLY                |   | SD-54363-038                             |   |
| 10 OVER<br>以上                                     | 30 UNDER<br>未満 | CHECKED BY & DATE<br>S. Takase '04/01/06   |                           | mm ONLY                                |   | 1 OF 2                                   |   |
| 30 OVER<br>以上                                     |                | APPROVED BY & DATE<br>S. Takase '04/01/06  |                           |  |   | B  |   |
| ANGLE 角度  |                | CAD FILENAME<br>SD-54363-038.S01   |                           |  |   | SIZE                                     |   |
|   |                | THIS DRAWING CONTAINS INFORMATION THAT IS PROPRIETARY TO MOLEX INCORPORATED AND SHOULD NOT BE USED WITHOUT WRITTEN PERMISSION. |                           |  |   |  | B |

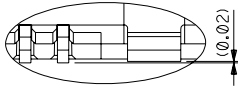
DWG. NO. SD-54363-038



製品断面図 (半田付け部、吸着面寸法)  
DETAIL FOR SOLDERING AND VACUUM AREA



推奨基板寸法  
RECOMMENDED PCB PATTERN LAYOUT  
(SCALE:5-1)

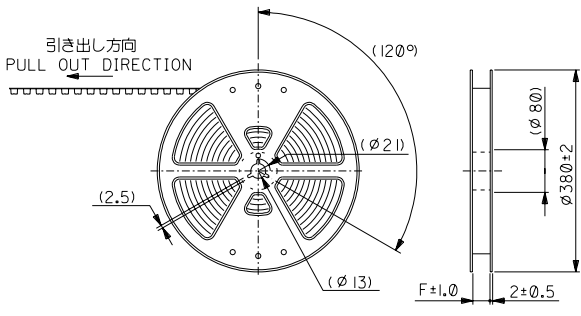


丁巻詳細  
DETAIL T

DO NOT SCALE DRAWING

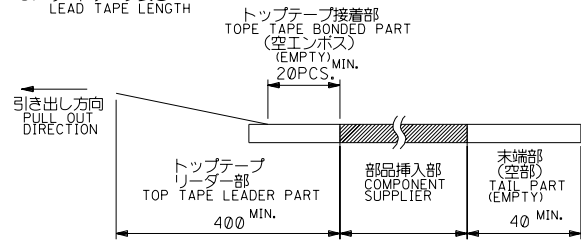
| EC NO.             |       |      |       | SEE SHEET 1 OF 2 |       | DESCRIPTION | MATERIAL<br>材料<br>注記参照<br>SEE NOTES | GENERAL TOLERANCES:<br>(UNLESS SPECIFIED)<br>一般公差 | SCALE<br>20-1 | DESIGN UNITS<br>mm INCH                            | THIRD ANGLE<br>PROJECTION  | DIMENSIONS:   |                |           | SHT  | REV     |    |      |
|--------------------|-------|------|-------|------------------|-------|-------------|-------------------------------------|---|---------------|--|--|---|----------------|-----------|------|---------|----|------|
| NO.                | DRWN: | CHK: | APPR: | NO.              | DRWN: |             |                                     |   |               |  |  | CHK:  | APPR:          | mm        | INCH | mm ONLY | mm | INCH |
| 8                  |       |      |       | 7                |       |             | FINISH<br>仕上り<br>注記参照<br>SEE NOTES  | 10 UNDER<br>未満                                    | +0.2          | DRAWN BY & DATE<br>A. Iida 04/01/06                | MOLEX INCORPORATED   | TITLE:<br>0.5 mm PITCH B/B CONN. REC. HOUSING ASS'Y<br>(H=2,3mm) WITH FITTING NAIL<br>-LEAD FREE- |                |           |      |         |    |      |
|                    |       |      |       |                  |       |             | WIRE RANGE<br>適用電線範囲                | 10 OVER<br>以上                                     | +0.25         | CHECKED BY & DATE<br>S. Takase 04/01/06            |  |   |                |           |      |         |    |      |
|                    |       |      |       |                  |       |             | INS. RANGE<br>被覆外径                  | 30 OVER<br>以上                                     | +0.3          | APPROVED BY & DATE<br>S. Takase / Y. Iida 04/01/06 |  |   |                |           |      |         |    |      |
|                    |       |      |       | 6                |       | REV         |                                     | ANGLE<br>角度                                       | +3°           | CAD FILENAME<br>SD-54363-038.S02                   | MATERIAL NO.<br>SEE CHART  | DRAWING NO.<br>SD-54363-038   | SHEET NO.<br>2 | SIZE<br>B |      |         |    |      |
|                    |       |      |       |                  |       |             |                                     |   |               |  | THIS DRAWING CONTAINS INFORMATION THAT IS PROPRIETARY TO MOLEX INCORPORATED AND SHOULD NOT BE USED WITHOUT WRITTEN PERMISSION. |   |                |           |      |         |    |      |
| EN-02J(097) MXJ-54 |       |      |       |                  |       |             |                                     |   |               |  |  |   |                |           |      |         |    |      |

DWG. NO. SD-54363-039



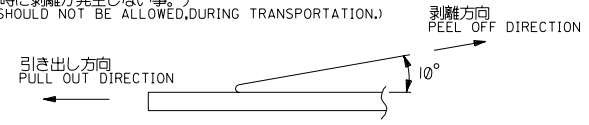
注) NOTES

1. 製品番号54363-\*\*\*71 詳細寸法については、製品単体図面を参照下さい。  
IN THE PACKAGE PART NUMBER 54363-\*\*\*71 DETAILED DIMENSIONS, SEE SALES DRAWING FOR CONNECTOR.
2. 梱包数量:2500個/リール  
NUMBER OF CONNECTORS:2500 PCS/REEL.
3. リードテープ長さ  
LEAD TAPE LENGTH



4. トップテープの剥離強度: (剥離方向は下図参照)  
PEELING OFF FORCE OF TOP TAPE (PELLING DIRECTION AS SHOWN IN FOLLOWING FIGURE)  
0.1~1.3N (10~130gf)

尚、本規格値は、出荷時に適用。  
THIS REQUIREMENT SHOULD BE APPLIED AT SHIPMENT.  
(但し、輸送時に剥離が発生しない事。)  
(PEEL OFF SHOULD NOT BE ALLOWED, DURING TRANSPORTATION.)



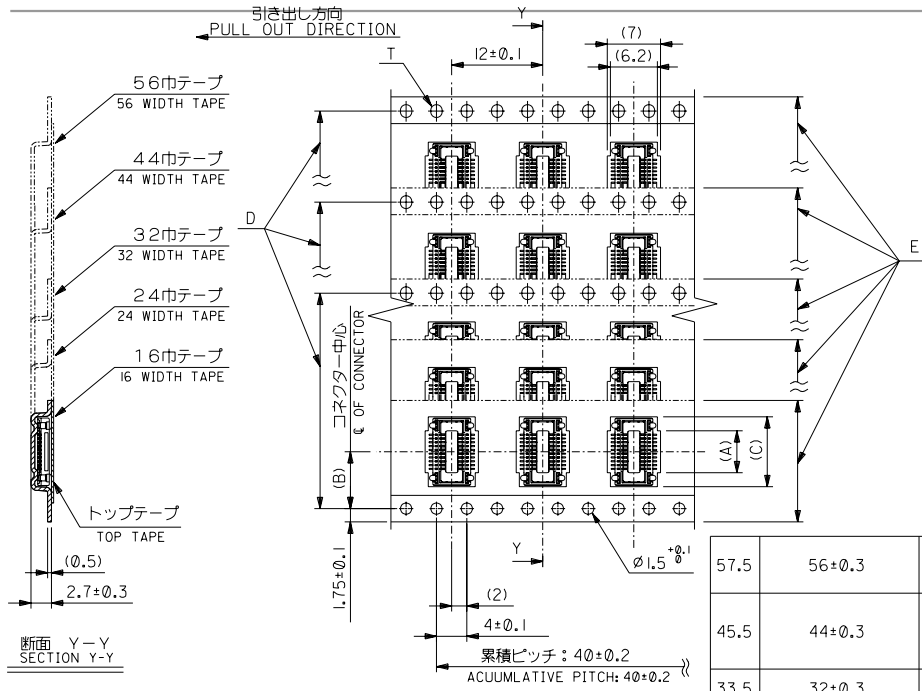
5. 材料  
MATERIAL  
キャリアテープ:ポリプロピレン (PP)  
CARRIER TAPE:POLYPROPYLENE(PP)  
トップテープ:PET, PE, PEF  
TOP TAPE:PET,PE,PEF  
リール:ポリスチレン  
REEL:POLYSTYRENE
6. この製品は54363-\*\*\*01, (エンボス梱包品 54363-\*\*\*08) の鉛フリー品です。  
THIS PRODUCT IS 'LEAD FREE' OF 54363-\*\*\*01, (EMBOSSED TAPE PKG 54363-\*\*\*08)

DO NOT SCALE DRAWING

|                                   |  |                                   |  |                                   |  |   |  |  |  |                                     |  |   |  |               |  |   |  |   |  |  |  |                     |  |
|-----------------------------------|--|-----------------------------------|--|-----------------------------------|--|---|--|--|--|-------------------------------------|--|---|--|---------------|--|---|--|---|--|--|--|---------------------|--|
| EC NO.<br>DRAWN:<br>CHK:<br>APPR: |  | EC NO.<br>DRAWN:<br>CHK:<br>APPR: |  | EC NO.<br>DRAWN:<br>CHK:<br>APPR: |  | REVISED<br>ECNNO.:J2004-2225<br>DRAWN: A.IDA '04/02/02<br>CHK: H.TAKASE<br>APPR:J.MITAZAWA/YO.ITO |  | RELEASED<br>ECNNO.:J2004-1740<br>DRAWN: A.IDA '04/01/06<br>CHK: H.TAKASE<br>APPR:J.MITAZAWA/YO.ITO |  | MATERIAL<br>材料<br>注記参照<br>SEE NOTES |  | GENERAL TOLERANCES:<br>(UNLESS SPECIFIED)<br>一般公差 |  | SCALE<br>NONE |  | DESIGN UNITS<br>mm INCH                             |  | THIRD ANGLE<br>PROJECTION                           |  | DIMENSIONS:<br>mm INCH mm INCH mm ONLY |  | SHT<br>REV          |  |
| EC NO.<br>DRAWN:<br>CHK:<br>APPR: |  | EC NO.<br>DRAWN:<br>CHK:<br>APPR: |  | EC NO.<br>DRAWN:<br>CHK:<br>APPR: |  | A   |  | 0  |  | FINISH<br>仕上げ<br>注記参照<br>SEE NOTES  |  | 10 UNDER<br>未満                                    |  | +0.2          |  | DRAWN BY & DATE<br>A. Iida '04/01/06                |  | TITLE:<br>54363-***71<br>TAPING PACKAGE -LEAD FREE- |  |  |  |                     |  |
| EC NO.<br>DRAWN:<br>CHK:<br>APPR: |  | EC NO.<br>DRAWN:<br>CHK:<br>APPR: |  | EC NO.<br>DRAWN:<br>CHK:<br>APPR: |  | A   |  | 0  |  | WIRE RANGE<br>適用電線範囲                |  | 10 OVER<br>以上                                     |  | +0.25         |  | CHECKED BY & DATE<br>S. Takase '04/01/06            |  | MOLEX INCORPORATED                                  |  |  |  |                     |  |
| EC NO.<br>DRAWN:<br>CHK:<br>APPR: |  | EC NO.<br>DRAWN:<br>CHK:<br>APPR: |  | EC NO.<br>DRAWN:<br>CHK:<br>APPR: |  | A   |  | 0  |  | INS. RANGE<br>接覆外径                  |  | 30 OVER<br>以上                                     |  | +0.3          |  | APPROVED BY & DATE<br>S. Takase / S. Iida '04/01/06 |  | MATERIAL NO.<br>SEE CHART                           |  | DRAWING NO.<br>SD-54363-039            |  | SHEET NO.<br>1 OF 2 |  |
| EC NO.<br>DRAWN:<br>CHK:<br>APPR: |  | EC NO.<br>DRAWN:<br>CHK:<br>APPR: |  | EC NO.<br>DRAWN:<br>CHK:<br>APPR: |  | A   |  | 0  |  | ANGLE 角度                            |  |   |  | +3'           |  | CAD FILENAME<br>SD-54363-039.S01                    |  | MATERIAL NO.<br>SEE CHART                           |  | DRAWING NO.<br>SD-54363-039            |  | SIZE<br>B           |  |
| EC NO.<br>DRAWN:<br>CHK:<br>APPR: |  | EC NO.<br>DRAWN:<br>CHK:<br>APPR: |  | EC NO.<br>DRAWN:<br>CHK:<br>APPR: |  | A   |  | 0  |  |                                     |  |   |  |               |  |   |  |   |  |  |  | EN-02J(097)MXJ-54   |  |

54363-039-01

DWG. NO. SD-54363-039



|      |        |      |      |       |            |     |   |
|------|--------|------|------|-------|------------|-----|---|
| 57.5 | 56±0.3 | 52.4 | 44.2 | 40.55 | 54363-1678 | 160 | — |
|      |        |      | 39.2 | 35.55 | 54363-1478 | 140 | ○ |
|      |        |      | 34.2 | 30.55 | 54363-1278 | 120 | ○ |
|      |        |      | 31.7 | 28.05 | 54363-1178 | 110 | ○ |
| 45.5 | 44±0.3 | 40.4 | 29.2 | 25.55 | 54363-1078 | 100 | ○ |
|      |        |      | 26.7 | 23.05 | 54363-0978 | 90  | — |
|      |        |      | 24.2 | 20.55 | 54363-0878 | 80  | ○ |
| 33.5 | 32±0.3 | 28.4 | 21.7 | 18.05 | 54363-0778 | 70  | ○ |
|      |        |      | 19.2 | 15.55 | 54363-0678 | 60  | ○ |
|      |        |      | 16.7 | 13.05 | 54363-0578 | 50  | ○ |
| 25.5 | 24±0.3 | —    | 14.2 | 10.55 | 54363-0478 | 40  | ○ |
|      |        |      | 11.7 | 8.05  | 54363-0378 | 30  | ○ |
| 17.5 | 16±0.3 | —    | 9.2  | 5.55  | 54363-0278 | 20  | ○ |

|   |   |   |     |     |     |                             |   |   |
|---|---|---|-----|-----|-----|-----------------------------|---|---|
| F   | E | D | (C) | (B) | (A) | 製品番号<br>MATERIAL NO.        | 極数<br>CIRCUITS                                    | 量産対応<br>AVAILABLE                                   |
| キャリアテープ幅<br>CARRIER TAPE WIDTH            |   |   |     |     |     | 第三角<br>THIRD ANGLE          | 投影<br>PROJECTION                                  | SHIT REV  |
| GENERAL TOLERANCES:<br>(UNLESS SPECIFIED) |   |   |     |     |     | SCALE<br>NONE               | DESIGN UNITS<br>mm INCH                           | REVISIONS<br>REVISE ON CAD ONLY                     |
| 10 UNDER 未滿                               |   |   |     |     |     | +0.2                        | DRAWN BY & DATE<br>A. Iida 04/01/06               | TITLE:<br>54363-***71<br>TAPING PACKAGE -LEAD FREE- |
| 10 OVER 以上 30 UNDER 未滿                    |   |   |     |     |     | +0.25                       | CHECKED BY & DATE<br>S. Takase 04/01/06           |   |
| 30 OVER 以上                                |   |   |     |     |     | +0.3                        | APPROVED BY & DATE<br>S. Takase / S. Ota 04/01/06 |   |
| ANGLE 角度                                  |   |   |     |     |     | +3°                         | CAD FILENAME<br>SD-54363-039.S02                  | MATERIAL NO.<br>SEE CHART                           |
| DRAWING NO.<br>SD-54363-039               |   |   |     |     |     | DRAWING NO.<br>SD-54363-039 | SHEET NO.<br>2                                    | SIZE<br>B   |

|                      |                                     |                                     |                                     |                                     |   |                               |                           |
|----------------------|-------------------------------------|-------------------------------------|-------------------------------------|-------------------------------------|---|-------------------------------|---------------------------|
| DO NOT SCALE DRAWING | EC NO.<br>DRAWN:<br>CHK'G:<br>APPR: | EC NO.<br>DRAWN:<br>CHK'G:<br>APPR: | EC NO.<br>DRAWN:<br>CHK'G:<br>APPR: | EC NO.<br>DRAWN:<br>CHK'G:<br>APPR: | SEE SHEET 1 OF 2<br>ECNNO.<br>DRAWN:<br>CHK'G:<br>APPR: | DESCRIPTION<br>MATERIAL<br>材料 | REV<br>INS. RANGE<br>検査外径 |
|                      |                                     |                                     |                                     |                                     | 0   |                               |                           |