

Excellent Integrated System Limited

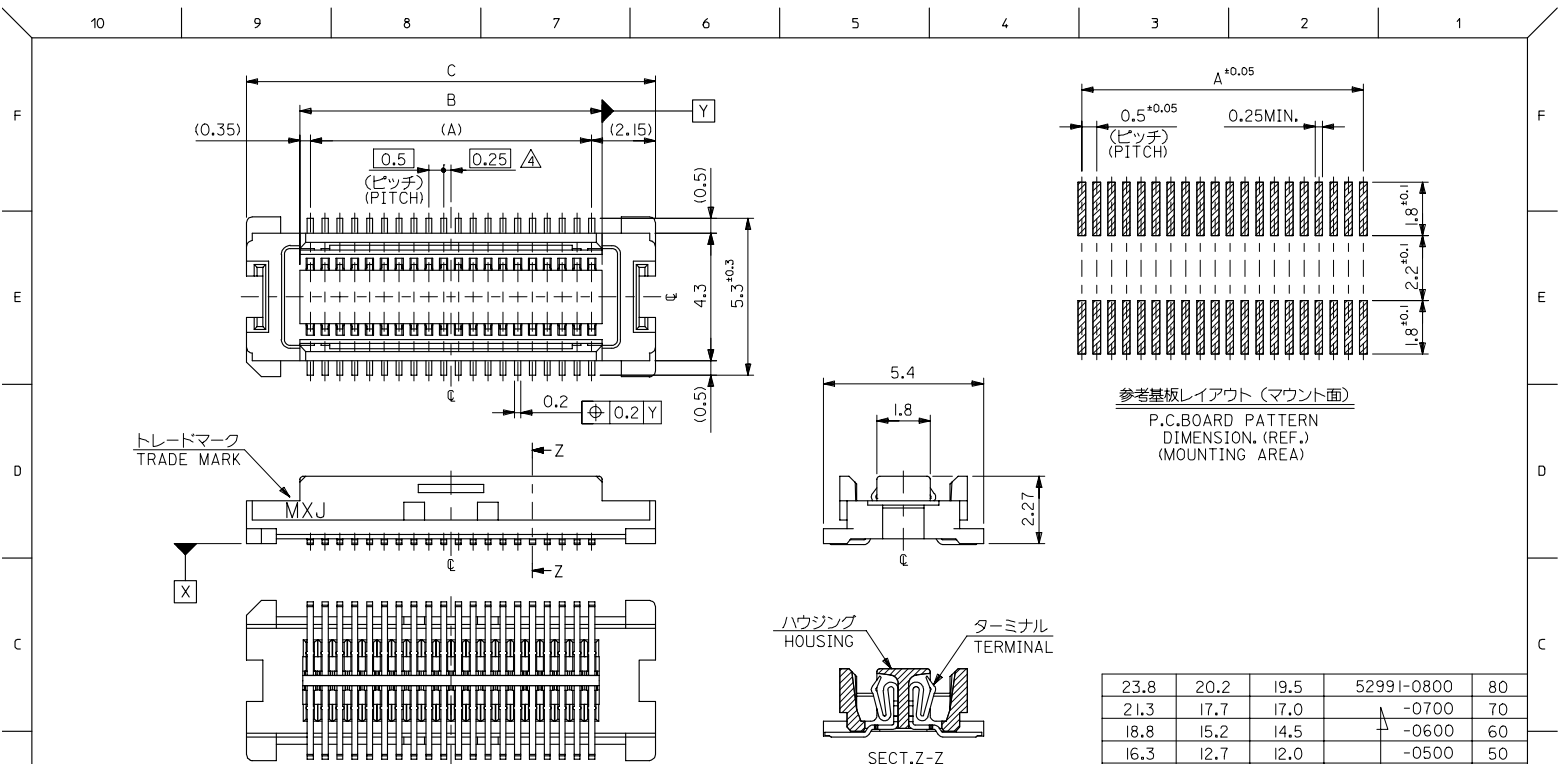
Stocking Distributor

Click to view price, real time Inventory, Delivery & Lifecycle Information:

[Molex Connector Corporation](#)
[0529910308](#)

For any questions, you can email us directly:

sales@integrated-circuit.com



23.8	20.2	19.5	52991-0800	80
21.3	17.7	17.0	-0700	70
18.8	15.2	14.5	-0600	60
16.3	12.7	12.0	-0500	50
13.8	10.2	9.5	-0400	40
11.3	7.7	7.0	-0300	30
8.8	5.2	4.5	52991-0200	20

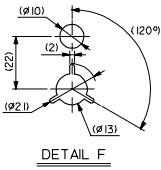
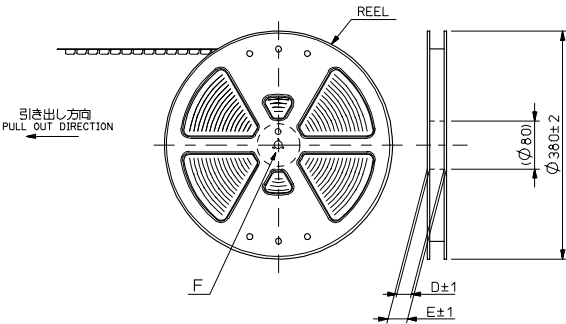
注記 NOTES:

1. 使用材料 MATERIAL
 ハウジング: LCPガラス入り (白), UL94V-0
 HOUSING: LCP(G.F.)(COLOR:WHITE), UL94V-0
 ターミナル: リン青銅 (t=0.15)
 TERMINAL: PHOSPHOR BRONZE (t=0.15)
 2. メッキ仕様 PLATING
 全体仕上げ: 金メッキ 0.1 MICROMETER MIN.
 ALL OVER: GOLD 0.1 MICROMETER MIN.
 下地メッキ: ニッケルメッキ 1.5 MICROMETER MIN.
 UNDER PLATING: NICKEL 1.5 MICROMETER MIN.
 3. 基準面 [X] からのソルダータールの半田付け面のズレ量は、上方向 0、下方向 0.15MAX. とする。
 MISALIGNMENT OF SOLDER TAIL FROM [X]: UPPER DIRECTION 0, LOWER DIRECTION 0.15 MAX.
- △ (全極数/2) = 偶数の場合に適用。
 APPLY FOR (CIRCUIT/2)=EVEN.

- 5 嵌合相手: 53748 シリーズ 53916 シリーズ 502280 シリーズ
 MATE WITH: 53748 SERIES, 53916 SERIES, 502280 SERIES.
- 6 テール平坦度は、0.1MAX.
 TAIL COPLANARITY TO BE 0.1MAX.

REVISED	EC NO.: J2007-0273	DRWNG: IEMGASE 2006/07/28	CHKD: HARUYAMA 2006/08/03	APPR: NIKITA 2006/08/07	DESCRIPTION	GENERAL TOLERANCES (UNLESS SPECIFIED)	10 UNDER ±0.2	10 OVER 30 UNDER ±0.25	30 OVER ±0.3	ANGULAR ±3°	DRAFT WHERE APPLICABLE MUST REMAIN WITHIN DIMENSIONS	DIMENSION STYLE MM ONLY	SCALE 8:1	DESIGN UNITS METRIC	THIRD ANGLE PROJECTION	TITLE	0.5 B/B CONN REC HOUSING ASSY(W/O BOSS, W/O NAIL) -LEAD FREE-	MATERIAL NO.	52991-***0	MODEL NO.	SEE CHART	DOCUMENT NO.	SD-52991-004	SHEET NO.	1 OF 1
---------	--------------------	---------------------------	---------------------------	-------------------------	-------------	---------------------------------------	---------------	------------------------	--------------	-------------	--	-------------------------	-----------	---------------------	------------------------	-------	---	--------------	------------	-----------	-----------	--------------	--------------	-----------	--------

10 9 8 7 6 5 4 3 2 1

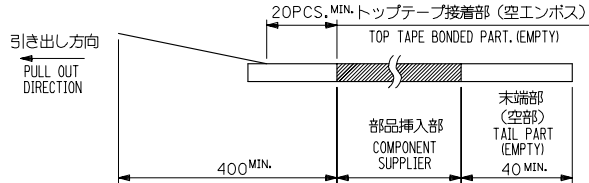


NOTES

1. 製品詳細寸法については図面 SD-52991-004 を参照下さい。
RE: DETAILED DIMENSION, SEE SD-52991-004

2. 梱包数量: 3000個/リール
NUMBER OF CONNECTORS: 3000PCS/REEL

3. リードテープ長さ LEAD TAPE LENGTH



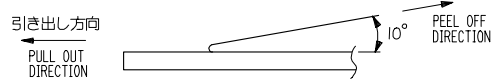
4. トップテープの剥離強度: 0.1N~1.3N (10gf~130gf) (剥離方向は下図参照)
尚、本規格値は出荷時に適用。(但し、輸送時に剥離が発生しないこと。)

PEELING FORCE OF TOP TAPE: 0.1N~1.3N (10gf~130gf)

(PEELING DIRECTION AS SHOWN IN FOLLOWING FIG.)

THIS REQUIREMENT SHOULD BE APPLIED AT SHIPMENT.

PEEL OFF SHOULD NOT BE ALLOWED, DURING TRANSPORTATION.



5. 材料 (MATERIAL)

キャリアテープ (CARRIER TAPE): ポリプロピレン (POLYPROPYLENE)

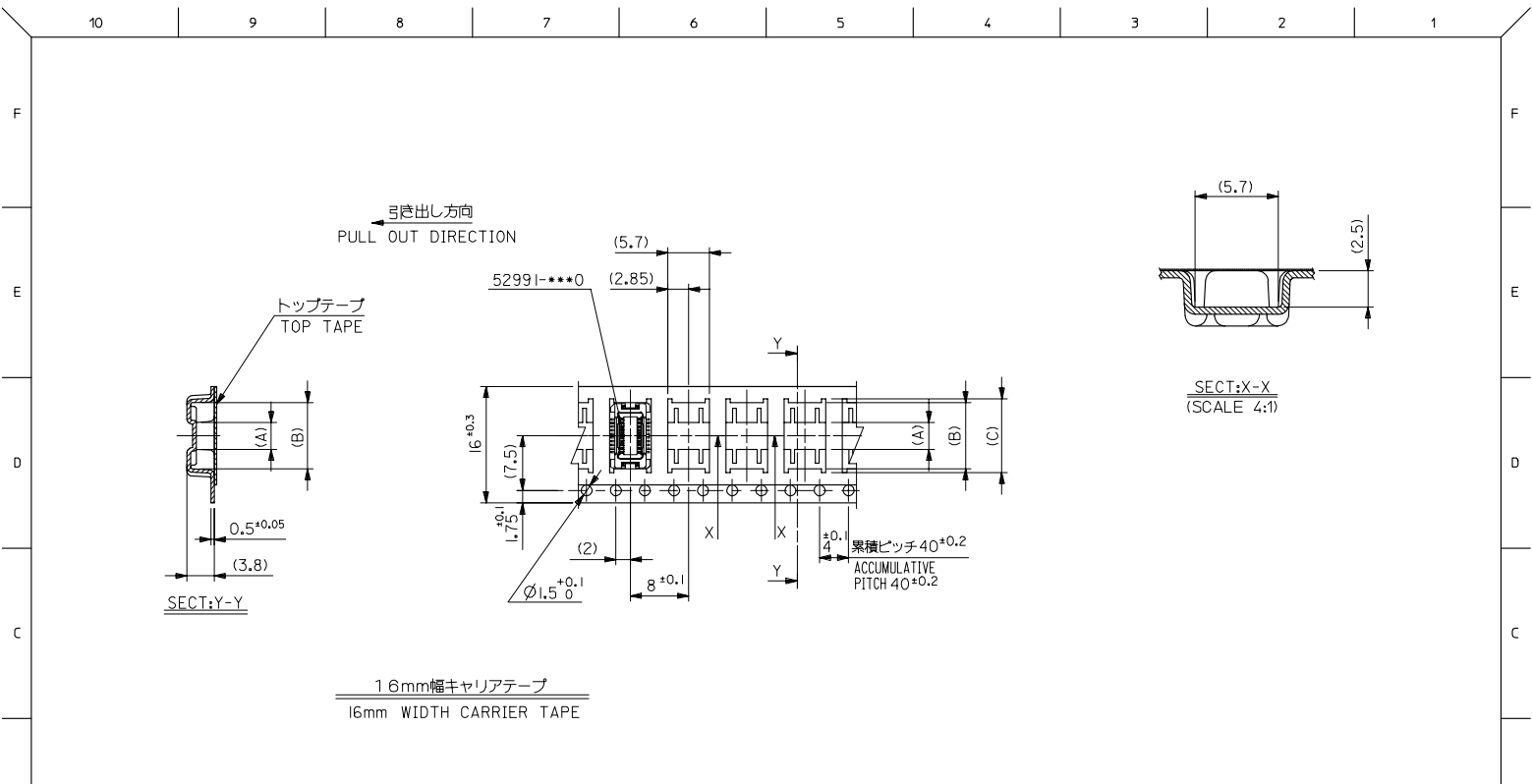
トップテープ (TOP TAPE): PET, PE, PEF

リール (REEL): ポリスチレン (PS) <リサイクル材を含む>

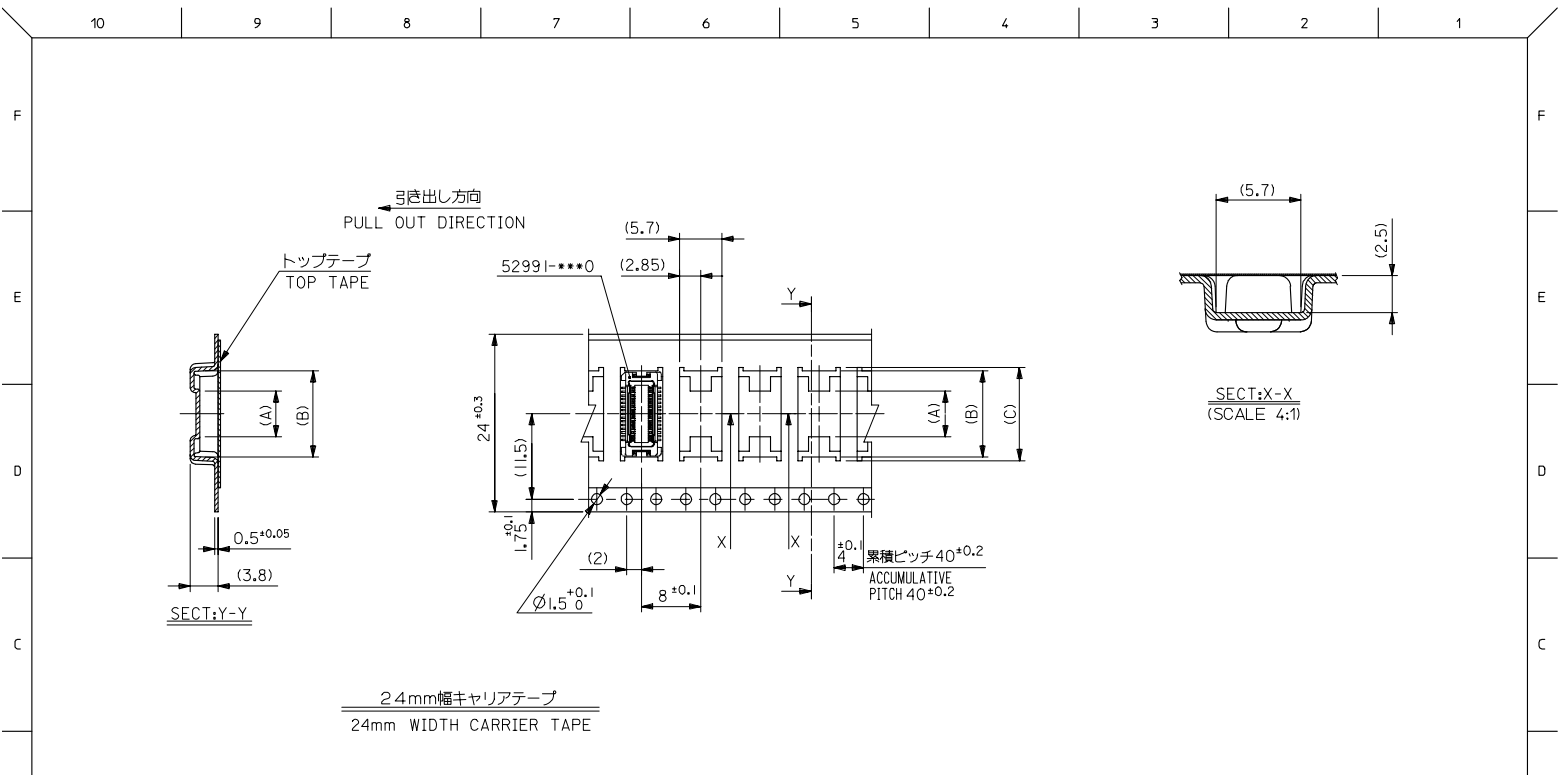
POLYSTYRENE (PS) <RECYCLE MATERIAL CONTAINED>

52991-***8 MODEL NO.

REVISED EC NO: J2006-0604 DRAWN: M. IIDA CHKD: K. YODA APP: N. ITO 2005/08/31 2005/09/01 2005/09/09	GENERAL TOLERANCES (UNLESS SPECIFIED)		DIMENSION STYLE MM ONLY	SCALE ---	DESIGN UNITS METRIC	THIRD ANGLE PROJECTION
	10 UNDER	±0.2	DRAWN BY T. NIITSU	DATE '95/10/17	TITLE 0.5 B/B CONN REC HSG ASSY EMBSTP PKG -LEAD FREE-	
	10 OVER 30 UNDER	±0.25	CHECKED BY T. ITO	DATE '01/01/31	MOLEX INCORPORATED	
	30 OVER	±0.3	APPROVED BY M. FUKUSHIMA	DATE '01/01/31	MATERIAL NO. SEE CHART	
	ANGULAR	±3 °	DOCUMENT NO. SD-52991-005		SHEET NO. 1 OF 6	
	DRAFT WHERE APPLICABLE MUST REMAIN WITHIN DIMENSIONS		SIZE A3 THIS DRAWING CONTAINS INFORMATION THAT IS PROPRIETARY TO MOLEX INCORPORATED AND SHOULD NOT BE USED WITHOUT WRITTEN PERMISSION			



REVISED	EC NO: J2006-0604	2005/08/31	DRYNNALDA	2005/09/01	CHKDKIYODA	2005/09/09	APPERNIKITA	DESCRIPTION	52991-***8	MODEL NO.	16	21.4	17.4	10.1	9.1	3.7	52991-0208	20
D								GENERAL TOLERANCES (UNLESS SPECIFIED)	キャリアテープ幅 CARRIER TAPE WIDTH	E	D	(C)	(B)	(A)	MATERIAL NO.	種数 CKT.		
								10 UNDER ±---	DIMENSION STYLE	MM ONLY	SCALE	---	DESIGN UNITS	METRIC	THIRD ANGLE PROJECTION			
								10 OVER 30 UNDER ±---	DRAWN BY	T.NIITSU	DATE	'95/10/17	TITLE					
								30 OVER ±---	CHECKED BY	T.ITO	DATE	'01/01/31	0.5 B/B CONN REC HSG ASSY EMBSTP PKG -LEAD FREE-					
								ANGULAR ±---	APPROVED BY	M.FUKUSHIMA	DATE	'01/01/31	MOLEX INCORPORATED					
								DRAFT WHERE APPLICABLE MUST REMAIN WITHIN DIMENSIONS	MATERIAL NO.	SEE CHART	DOCUMENT NO.	SD-52991-005	SHEET NO.					
									SIZE	A3	THIS DRAWING CONTAINS INFORMATION THAT IS PROPRIETARY TO MOLEX INCORPORATED AND SHOULD NOT BE USED WITHOUT WRITTEN PERMISSION							



REVISED	EC NO. J2006-0604	2005/08/31	DRYNNALDA	2005/09/01	CHKDK/TOYODA	2005/09/09	APPER/NIKITA	DESCRIPTION	52991-***8	MODEL NO.	24	29.4	25.4	15.1	14.1	7.4	52991-0408	40									
D								GENERAL TOLERANCES (UNLESS SPECIFIED)	キャリアテープ幅 CARRIER TAPE WIDTH	E	D	(C)	(B)	(A)	MATERIAL NO.	52991-0308	種数 CKT.	30									
								10 UNDER ±---	DIMENSION STYLE	MM ONLY	SCALE	---	DESIGN UNITS	METRIC	THIRD ANGLE PROJECTION												
								10 OVER 30 UNDER ±---	DRAWN BY	S. AIHARA	DATE	'96/04/01	TITLE														
								30 OVER ±---	CHECKED BY	T. ITO	DATE	'01/01/31	0.5 B/B CONN REC HSG ASSY EMBSTP PKG -LEAD FREE-														
								ANGULAR ±---	APPROVED BY	M. FUKUSHIMA	DATE	'01/01/31	MOLEX INCORPORATED														
								DRAFT WHERE APPLICABLE MUST REMAIN WITHIN DIMENSIONS	MATERIAL NO.	SEE CHART	DOCUMENT NO.	SD-52991-005	SHEET NO.														
									SIZE	A3	THIS DRAWING CONTAINS INFORMATION THAT IS PROPRIETARY TO MOLEX INCORPORATED AND SHOULD NOT BE USED WITHOUT WRITTEN PERMISSION																

10 9 8 7 6 5 4 3 2 1

F

E

D

C

B

A

F

E

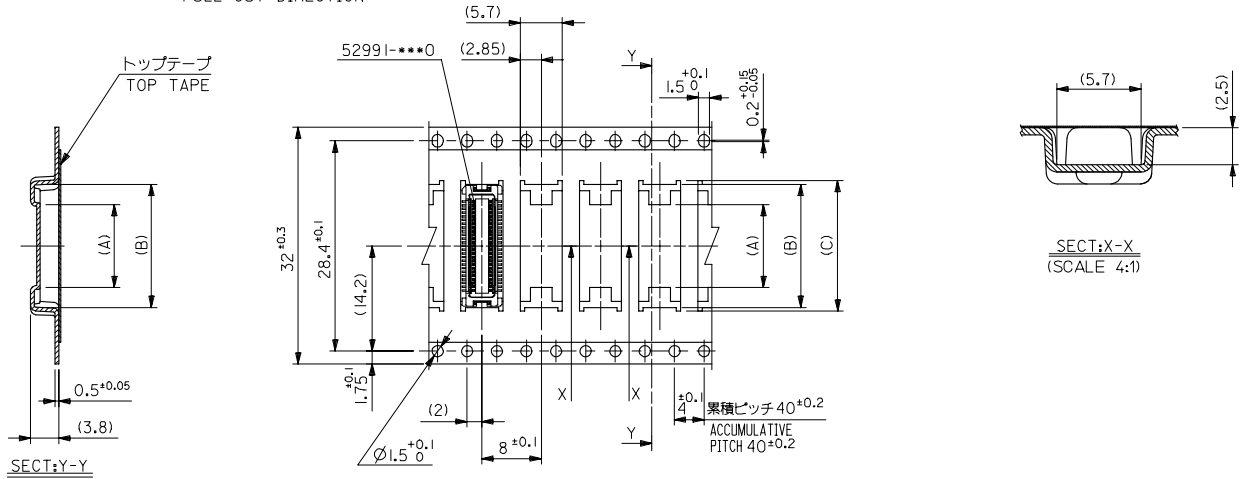
D

C

B

A

引き出し方向
PULL OUT DIRECTION



32mm幅キャリアテープ
32mm WIDTH CARRIER TAPE

REVISED	EC NO. J2006-0604	2005/08/31	DRYUMALDA	2005/09/01	CHKDKIYODA	2005/09/01	APPERNIKITA	2005/09/09
DESCRIPTION	52991-***8 MODEL NO.							
GENERAL TOLERANCES (UNLESS SPECIFIED)	10 UNDER ± --- 10 OVER 30 UNDER ± --- 30 OVER ± --- ANGULAR ± --- ° DRAFT WHERE APPLICABLE MUST REMAIN WITHIN DIMENSIONS							
REVISION	32 37.4 33.4 17.6 16.6 11.2 52991-0508 50 キャリアテープ幅 CARRIER TAPE WIDTH E D (C) (B) (A) MATERIAL NO. 種数 CKT. DIMENSION STYLE MM ONLY SCALE --- DESIGN UNITS METRIC THIRD ANGLE PROJECTION DRAWN BY T.YASUI DATE '96/04/15 TITLE 0.5 B/B CONN REC HSG ASSY EMBSTP PKG -LEAD FREE- CHECKED BY T.ITO DATE '01/01/31 APPROVED BY M.FUKUSHIMA DATE '01/01/31 MOLEX INCORPORATED MATERIAL NO. SEE CHART DOCUMENT NO. SD-52991-005 SHEET NO. 4 OF 6 SIZE A3 THIS DRAWING CONTAINS INFORMATION THAT IS PROPRIETARY TO MOLEX INCORPORATED AND SHOULD NOT BE USED WITHOUT WRITTEN PERMISSION							

10 9 8 7 6 5 4 3 2 1

F

E

D

C

B

A

F

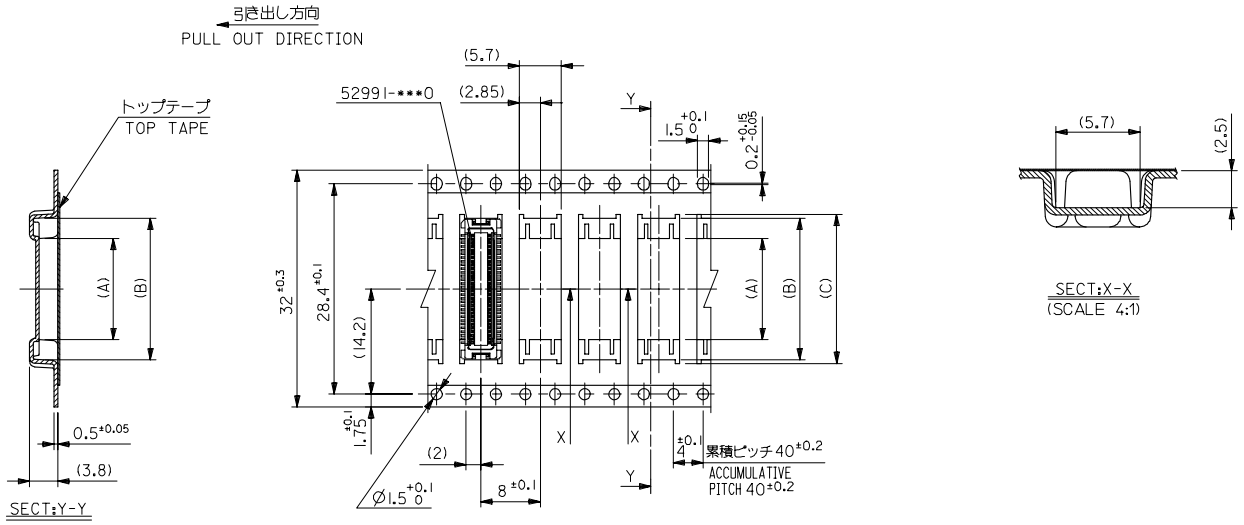
E

D

C

B

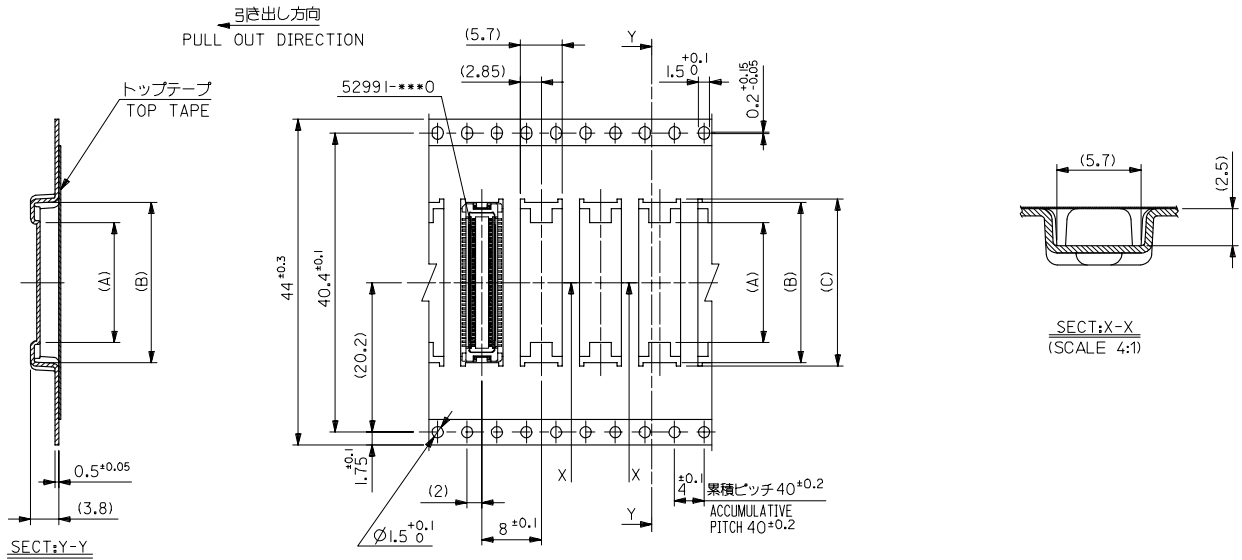
A



32mm幅キャリアテープ
32mm WIDTH CARRIER TAPE

REVISED	EC NO. J2006-0604	2005/08/31	DRYUMAI	2005/09/01	CHKDKIYODA	2005/09/09	APPR.NIKITA	DESCRIPTION	52991-***8	MODEL NO.	32	37.4	33.4	20.1	19.1	13.7	52991-0608	60
D								GENERAL TOLERANCES (UNLESS SPECIFIED)	10 UNDER	±---	キヤリアテープ幅 CARRIER TAPE WIDTH	E	D	(C)	(B)	(A)	MATERIAL NO.	種数 CKT.
								10 OVER	30 UNDER	±---	DIMENSION STYLE	MM ONLY	SCALE	---	DESIGN UNITS	METRIC	THIRD ANGLE PROJECTION	
								30 OVER		±---	DRAWN BY	S.AIHARA	DATE	'96/04/01	TITLE	0.5 B/B CONN REC HSG ASSY EMBSTP PKG -LEAD FREE-		
								ANGULAR		±---	CHECKED BY	T.ITO	DATE	'01/01/31	APPROVED BY	M.FUKUSHIMA	DATE	'01/01/31
								DRAFT WHERE APPLICABLE MUST REMAIN WITHIN DIMENSIONS		±---	MATERIAL NO.	SEE CHART	DOCUMENT NO.	SD-52991-005	MOLEX INCORPORATED			
										±---	SIZE	A3	THIS DRAWING CONTAINS INFORMATION THAT IS PROPRIETARY TO MOLEX INCORPORATED AND SHOULD NOT BE USED WITHOUT WRITTEN PERMISSION			SHEET NO.	5 OF 6	

10 9 8 7 6 5 4 3 2 1



44mm幅キャリアテープ
44mm WIDTH CARRIER TAPE

REVISED	EC NO: J2006-0604	2005/08/31	DRYNNALDA	2005/09/01	CHKDKIYODA	2005/09/09	APPR.NIKITA	DESCRIPTION	52991-***8	MODEL NO.	44	49.4	45.4	25.1	24.1	18.7	52991-0808	80									
D								GENERAL TOLERANCES (UNLESS SPECIFIED)	10 UNDER ±---	30 UNDER ±---	10 OVER ±---	30 OVER ±---	ANGULAR ±---	DRAFT WHERE APPLICABLE MUST REMAIN WITHIN DIMENSIONS		DRAWN BY T.YASUI DATE '96/04/15		CHECKED BY T.ITO DATE '01/01/31		APPROVED BY M.FUKUSHIMA DATE '01/01/31		TITLE 0.5 B/B CONN REC HSG ASSY EMBSTP PKG -LEAD FREE-		MATERIAL NO. 52991-0708		種数	70
										DIMENSION STYLE MM ONLY		SCALE ---		DESIGN UNITS METRIC		THIRD ANGLE PROJECTION											
										MATERIAL NO. SEE CHART		DOCUMENT NO. SD-52991-005		SHEET NO. 6 OF 6													