

Excellent Integrated System Limited

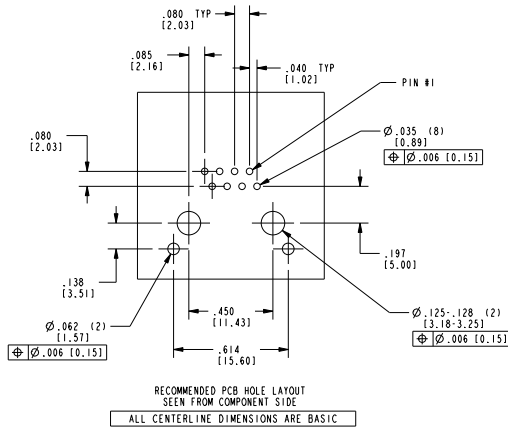
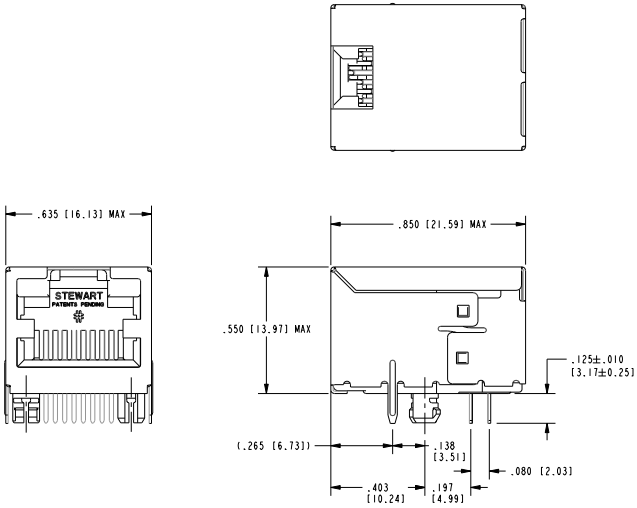
Stocking Distributor

Click to view price, real time Inventory, Delivery & Lifecycle Information:

[Bel Fuse Inc.](#)
[SS-60000-009](#)

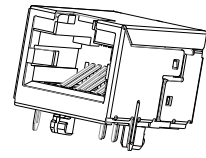
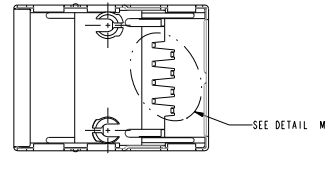
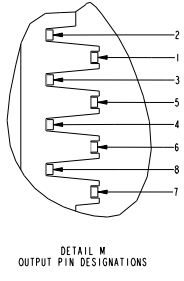
For any questions, you can email us directly:
sales@integrated-circuit.com

DATE	REV.	ECN	APP'D BY
6-4-12	DO	9498	TRM
2-27-15	DI	10260	ADB



- NOTES:
- CONNECTOR MATERIALS:
HOUSING: THERMOPLASTIC UL94 V-0
CONTACT/SHIELD: COPPER ALLOY
SHIELD PLATING: TIN
CONTACT PLATING: SELECTIVE PLATING IN CONTACT AREA
SEE CHART FOR DETAILS
 - PRODUCT DESIGNED FOR CAT6 APPLICATIONS.
 - DIMENSIONS AND TOLERANCES COMPLY WITH TIA-1096 STANDARD.
 - FOR PRODUCT SPECIFICATION SEE PRO26-01.

50 MICRO-INCHES [1.27µm] Au OR 5 MICRO-INCHES [0.13µm] Au OVER 30 MICRO-INCHES [0.76µm]PdNi	SS-60000-009
CONTACT PLATING IN MATING AREA	PART NUMBER



THIRD ANGLE PROJECTION			11118 Susquehanna Trail South Glen Rock, PA 17327-9199 (717) 235-7512 http://www.stewartconnector.com
DO NOT SCALE DRAWING DRAWING IS SUBJECT TO CHANGE WITHOUT NOTICE	TITLE: 60 SERIES SHIELDED RIGHT ANGLE JACK	DRN BY: JRC	DATE: 04-14-04
DIMENSIONS: INCHES (METRIC) UNLESS OTHERWISE SPECIFIED TOLERANCES ARE ± .005 (0.13) ANGLES ARE ±1°	THIS DRAWING AND THE SUBJECT MATTER SHOWN THEREON ARE CONFIDENTIAL AND THE PROPRIETARY PROPERTY OF STEWART CONNECTOR AND SHALL NOT BE REPRODUCED, COPIED, OR USED IN ANY MANNER WITHOUT PRIOR WRITTEN CONSENT OF STEWART CONNECTOR. THIS PRODUCT MAY BE PROTECTED BY ONE OR MORE OF THE FOLLOWING US PATENTS: 539042 621739 658059 644959 660097 607022 694587 704850 708689 758950 768650 OTHER PATENTS MAY BE PENDING.	APP'D BY: RGC	DATE: 04-14-04
SHEET NO. 1 OF 1		DWG. NO. CT600024	REV. D1

B

A

REV. 1/3/03