

Excellent Integrated System Limited

Stocking Distributor

Click to view price, real time Inventory, Delivery & Lifecycle Information:

[Pulse Electronics Corporation](#)
[J00-0051NL](#)

For any questions, you can email us directly:

sales@integrated-circuit.com

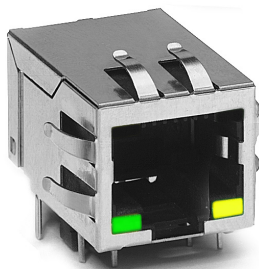
PulseJack™

1x1 Tab-DOWN RJ45



Description:

10/100 Base-TX RJ45 1x1 Tab-DOWN 8-pin Integrated Magnetics Connector, designed to support high volume cost-conscious consumer applications such as: ADSL modems, Cable modems, STB and Video on Demand.



Features and Benefits:

- Ⓜ RoHS peak wave solder temperature rating 260°C Suitable for CAT 5 & 6 Fast Ethernet Cable or better UTP
- Ⓜ Meets IEEE 802.3 specification
- Ⓜ 350µH minimum OCL with 8mA bias current
- Ⓜ High performance for MAX EMI suppression for cost-conscious applications

10 Base-T Electrical Specifications @ 25°C - Operating Temperature 0°C to +70°C

RoHS Compliant Part Number	Data Rate	Turns Ratios		EMI Fingers	LEDs (L/R)	BST	Insertion Loss (dB MAX)	Return Loss (dB MIN)	Crosstalk (dB MIN)	Common Mode Rejection (dB MIN)	Hipot (Vrms)
		TX	RX				1-10MHz	1-10MHz	1-10MHz	5MHz	@60Hz 1 MIN
J00-0051NL	10BT	1CT:2.5	1CT:1	Yes	G/Y	No	-1	-15	-30	-25	1500
J00-0062NL	10BT	1CT:2.5	1CT:1	No	None	No	-1	-15	-30	-25	1500
J00-0063NL	10BT	1CT:2.5	1CT:1	No	G/Y	No	-1	-15	-30	-25	1500

10/100 Base-T Electrical Specifications @ 25°C - Operating Temperature 0°C to +70°C

RoHS Compliant Part Number	Data Rate	Turns Ratios		EMI Fingers	LEDs (L/R)	BST	Insertion Loss (dB MAX)		Return Loss (dB MIN)			Crosstalk (dB MIN)			Common Mode Rejection (dB MIN)		Hipot (Vrms)
		TX	RX				1-65MHz	1-10MHz	10-30MHz	30-60MHz	60-80MHz	1-30MHz	30-60MHz	60-100MHz	1-50MHz	50-150MHz	@60Hz 1 MIN
J00-0014NL	100BT	1CT:1	1CT:1	No	None	Yes	-1	-18	-14	-12	-10	-35	-35	-30	-20	-15	1500
J00-0042NL	100BT	1CT:1	1CT:1	No	None	No	-1	-18	-14	-12	-10	-35	-35	-30	-20	-15	1500
J00-0045NL	100BT	1CT:1	1CT:1	No	G/Y	Yes	-1	-18	-14	-12	-10	-35	-35	-30	-20	-15	1500
J00-0061NL	100BT	1CT:1	1CT:1	Yes	None	Yes	-1	-18	-14	-12	-10	-35	-35	-30	-20	-15	1500
J00-0065NL	100BT	1CT:1	1CT:1	Yes	G/Y	Yes	-1	-18	-14	-12	-10	-35	-35	-30	-20	-15	1500
J00-0066NL	100BT	1CT:1	1CT:1	Yes	G/Y	No	-1	-18	-14	-12	-10	-35	-35	-30	-20	-15	1500

Notes:

1. For an explanation of EMI fingers, refer to the mechanical drawing page
2. LEDs Left/Right: **G**=green, **Y**=yellow
3. IEEE802.3i (10Base-T) standard does not require these parts to achieve 350µH minimum OCL with 8mA bias current for 10Base-T parts.

PulseJack™
 1x1 Tab-DOWN RJ45

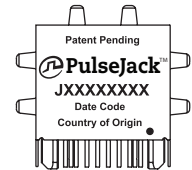
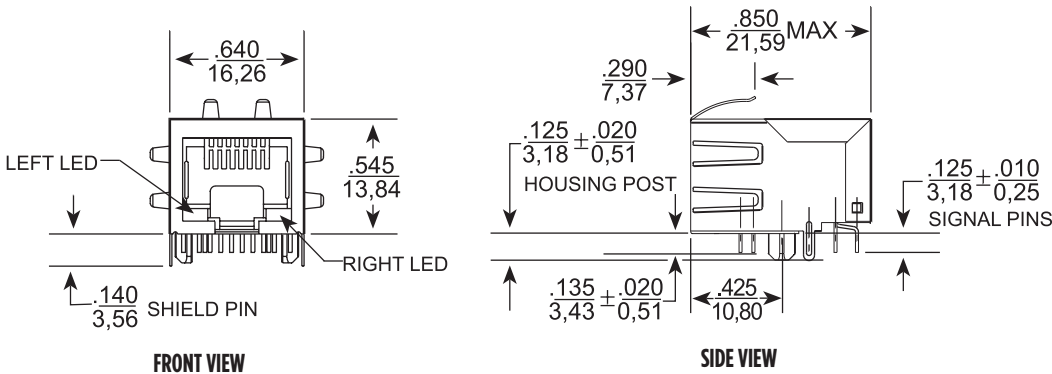


RJ45 Durability Testing Rating				
Part Number	Mating Force (MAX)	Unmating Force (MAX)	Durability	Plug to Jack Retention (MIN)
J00 Series	5lbs./2.268kgs.	5lbs./2.268kgs.	750 Insertions	20lbs./9.072kgs.

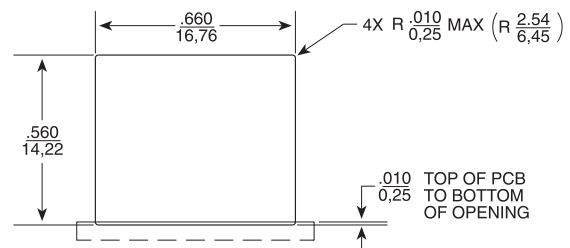
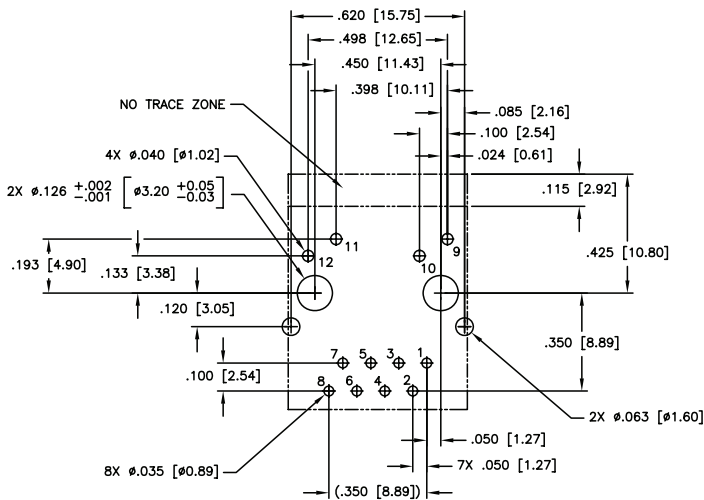
RJ45 Material Specification								
Part Number	Turns Ratio		Contact			Housing		MSL ² Rating
	Material	Finish	Material	Plating Area	Solder Area	Material	Specification	
J00 Series	Brass	20-40m inches Nickel over 10-20m inches Brass	Phosphor Bronze	Nickel underplating and selective gold plating 15µ inches	Tin matte finish	Thermoplastic	UL 94 V-0	1

- Notes:**
- Connector dimensions comply with FCC dimension requirements
 - MSL - Moisture Sensitivity Level class limits = 1 to 5 (Highest: 1; Lowest: 5).

J00-00XXL Series Mechanicals



Connector Marking
 (An example - parts are marked on the top or end surface as shown)



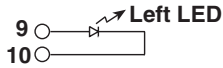
Dimensions: $\frac{\text{Inches}}{\text{mm}}$
 Unless otherwise specified, all tolerances are $\pm \frac{.010}{0,25}$

PulseJack™

1x1 Tab-DOWN RJ45

LED Configuration

Green / Yellow LED Specification - (LEDs without internal resistors)

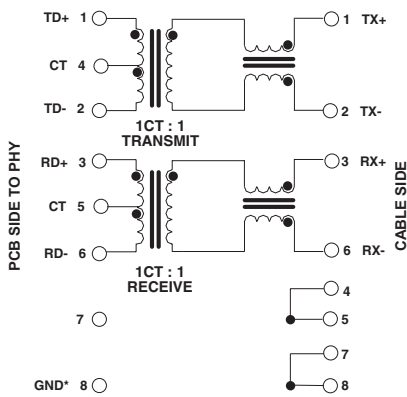


Standard LED	Wavelength	Forward* V(MAX)	(TYP)
Yellow	585 nm	2.5 V	2.1 V
Green	565 nm	2.5 V	2.2 V

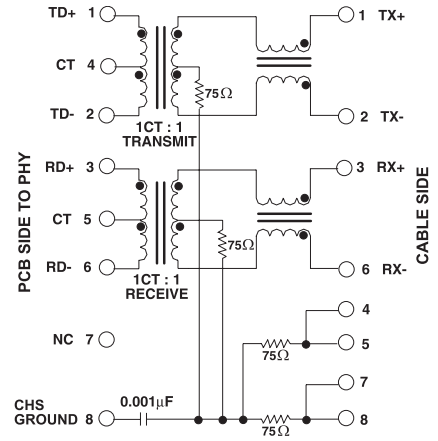
* Assumes bias current = 20mA

J00-00XX Series Electrical Schematics

J00-0042NL/66NL



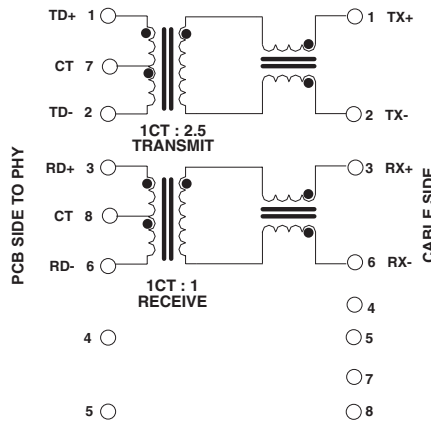
J00-0014NL/45NL/61NL/65NL



NOTE: Connect CHS GND to PCB ground.

J00-00XX Series Electrical Schematics

J00-0051NL/62NL/63NL



For More Information

Pulse Worldwide Headquarters

12220 World Trade Drive
 San Diego, CA
 92128
 U.S.A.

Tel: 858 674 8100

Pulse Europe

Einsteinstrasse 1
 D-71083 Herrenberg
 Germany

Tel: 49 7032 7806

Pulse China Headquarters

B402, Shenzhen Academy of
 Aerospace Technology Bldg.
 10th Kejinan Road
 High-Tech Zone
 Nanshan District
 Shenzhen, PR China
 518057

Pulse North China

Room 2704/2705
 Super Ocean Finance
 Ctr.
 2067 Yan An Road
 West
 Shanghai 200336
 China

Pulse South Asia

135 Joo Seng Road
 #03-02
 PM Industrial Bldg.
 Singapore 368363

Tel: 65 6287 8998
 Fax: 65 6287 8998

Pulse North Asia

3F, No. 198
 Zhongyuan Road
 Zhongli City
 Taoyuan County 320
 Taiwan R. O. C.
 Tel: 886 3 4356768
 Fax: 886 3 4356823
 (Pulse)

Performance warranty of products offered on this data sheet is limited to the parameters specified. Data is subject to change without notice. Other brand and product names mentioned herein may be trademarks or registered trademarks of their respective owners. © Copyright, 2012. Pulse Electronics, Inc. All rights reserved.