

Excellent Integrated System Limited

Stocking Distributor

Click to view price, real time Inventory, Delivery & Lifecycle Information:

[Analog Devices Inc.](#)
[AD9972BBCZRL](#)

For any questions, you can email us directly:
sales@integrated-circuit.com



Dual-Channel, 14-Bit, CCD Signal Processor with Precision Timing™ Core

AD9972

FEATURES OF EACH CHANNEL

- 1.8 V analog and digital core supply voltage
- Correlated double sampler (CDS) with -3 dB, 0 dB, +3 dB, and +6 dB gain
- 6 dB to 42 dB, 10-bit variable gain amplifier (VGA)
- 14-bit, 40 MHz analog-to-digital converter (ADC)
- Black level clamp with variable level control
- Complete on-chip timing generator
- Precision Timing core with 400 ps resolution @ 40 MHz
- On-chip 3 V horizontal and RG drivers
- 100-lead, 9 mm × 9 mm, 0.8 mm pitch, CSP_BGA package
- Internal LDO regulator circuitry

APPLICATIONS

- Professional HDTV camcorders
- Professional/high end digital cameras
- Broadcast cameras
- Industrial high speed cameras

GENERAL DESCRIPTION

The AD9972 is a highly integrated, dual-channel CCD signal processor for high speed digital video camera applications. Each channel is specified at pixel rates of up to 40 MHz. The AD9972 consists of a complete analog front end with analog-to-digital conversion combined with a programmable timing driver. The Precision Timing core allows adjustment of high speed clocks with approximately 400 ps resolution at 40 MHz operation.

Each analog front end includes black level clamping, CDS, VGA, and a 40 MSPS, 14-bit ADC. The timing driver provides the high speed CCD clock drivers for the RG_A, RG_B, H1_A to H4_A, and H1_B to H4_B outputs. A 3-wire serial interface is used to program each channel of the AD9972.

Available in a space-saving, 9 mm × 9 mm, CSP_BGA package, the AD9972 is specified over an operating temperature range of -25°C to +85°C.

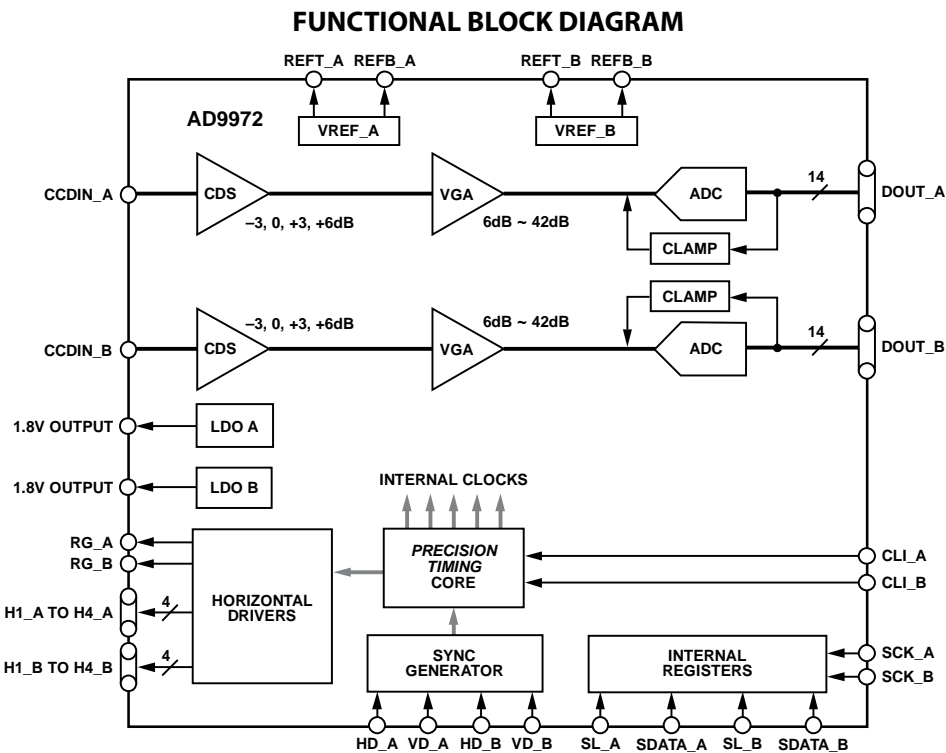


Figure 1.

For more information on the AD9972, contact Analog Devices, Inc. at: afe.ccd@analog.com.

Rev. SpA

Information furnished by Analog Devices is believed to be accurate and reliable. However, no responsibility is assumed by Analog Devices for its use, nor for any infringements of patents or other rights of third parties that may result from its use. Specifications subject to change without notice. No license is granted by implication or otherwise under any patent or patent rights of Analog Devices. Trademarks and registered trademarks are the property of their respective owners.

One Technology Way, P.O. Box 9106, Norwood, MA 02062-9106, U.S.A.
 Tel: 781.329.4700 www.analog.com
 Fax: 781.461.3113 ©2006 Analog Devices, Inc. All rights reserved.

AD9972

NOTES