

Excellent Integrated System Limited

Stocking Distributor

Click to view price, real time Inventory, Delivery & Lifecycle Information:

[E-Switch](#)
[KC26A13.001NPS](#)

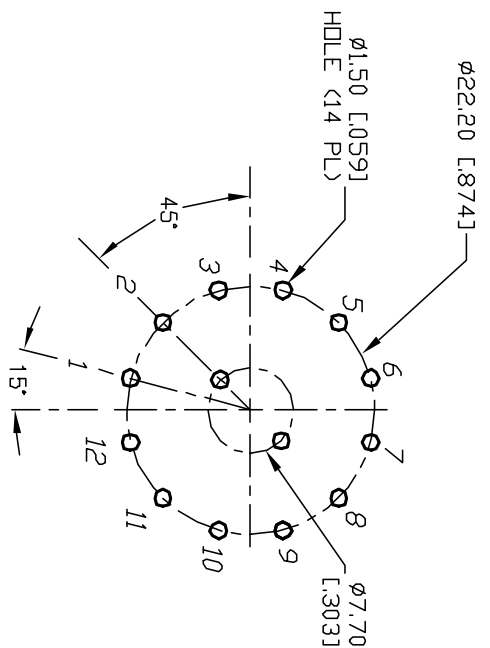
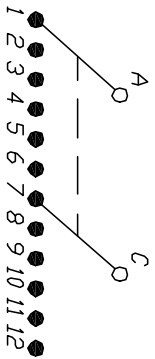
For any questions, you can email us directly:

sales@integrated-circuit.com

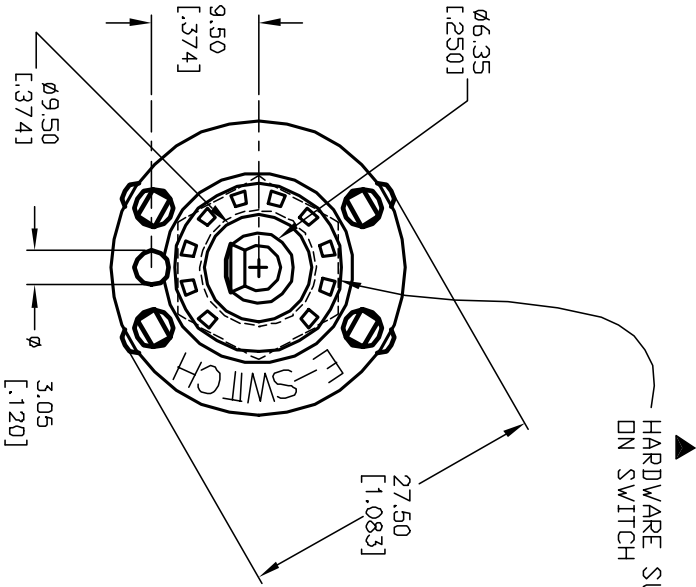
NOTES:

1. ALL DIMENSION IN MM [INCH]
2. GENERAL TOLERANCE: X.X=±0.4
X.XX=±0.25
3. TERM. NOS. FOR REF. ONLY
4. CONTACT RATING SWITCHING: 150mA, 250V AC/DC
350mA, 110V AC/DC
5. OPERATING FORCE: 425±100 CM/STANDARD
6. OPERATING TEMP: -30° to 85°C
7. CIRCUIT DP: 6 POSITIONS, 30° INDEX.
8. DIELECTRIC STRENGTH: 1000V RMS min. @SEA LEVEL
9. DESIGNATE MAJOR DIMENSIONS
10. HARDWARE SUPPLIED ON SWITCH - SEE BELOW
STOPRING, LOCKWASHER, & HEXNUT

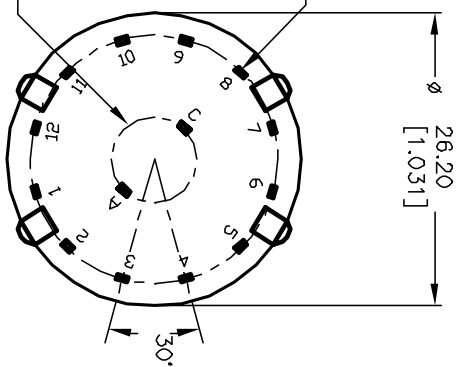
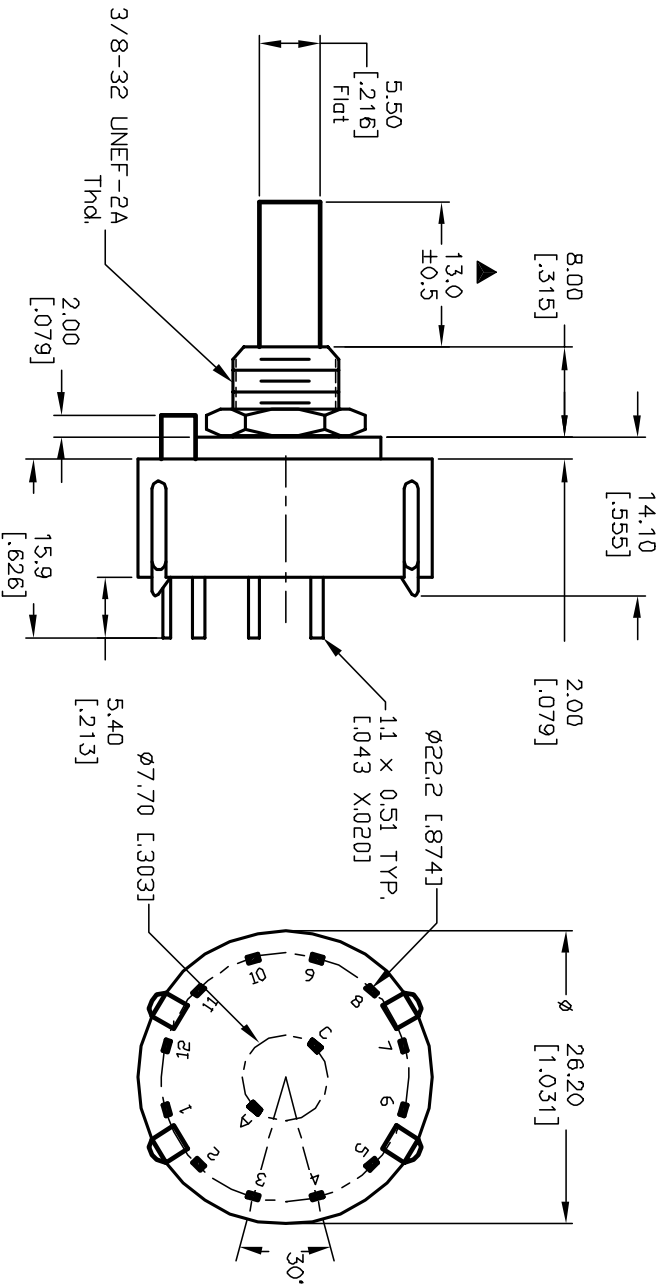
CONTACT CONFIGURATION
TIMING: NON-SHORTING (BBM)



RECOMMENDED P.C.B. LAYOUT



HARDWARE SUPPLIED
ON SWITCH



E-SWITCH®

B	12921	REVISED NOTE 10	3/5/03	CJB
A	12361	RELEASED FOR PRODUCTION	8/12/02	CJB
REV.	ECN No.	DESCRIPTION	DATE	CHKD

TITLE	KC-26-A-(13.0mm) 01-N-P-S			
SCALE	1.5:1	DATE	8/12/02	DR
				CJB
				DWG
				G510451
REV	B			

THE INFORMATION CONTAINED IN THIS DOCUMENT IS PROPRIETARY TO E-SWITCH AND IS NOT TO BE COPIED OR TRANSMITTED