



Distributor of FCI: Excellent Integrated System Limited

Datasheet of 54040-001-LF - Connector Receptacle 19 Position 0.031" (0.80mm) Gold Surface Mount, Right Angle

Contact us: sales@integrated-circuit.com Website: www.integrated-circuit.com

Excellent Integrated System Limited

Stocking Distributor

Click to view price, real time Inventory, Delivery & Lifecycle Information:

[FCI](#)

[54040-001-LF](#)

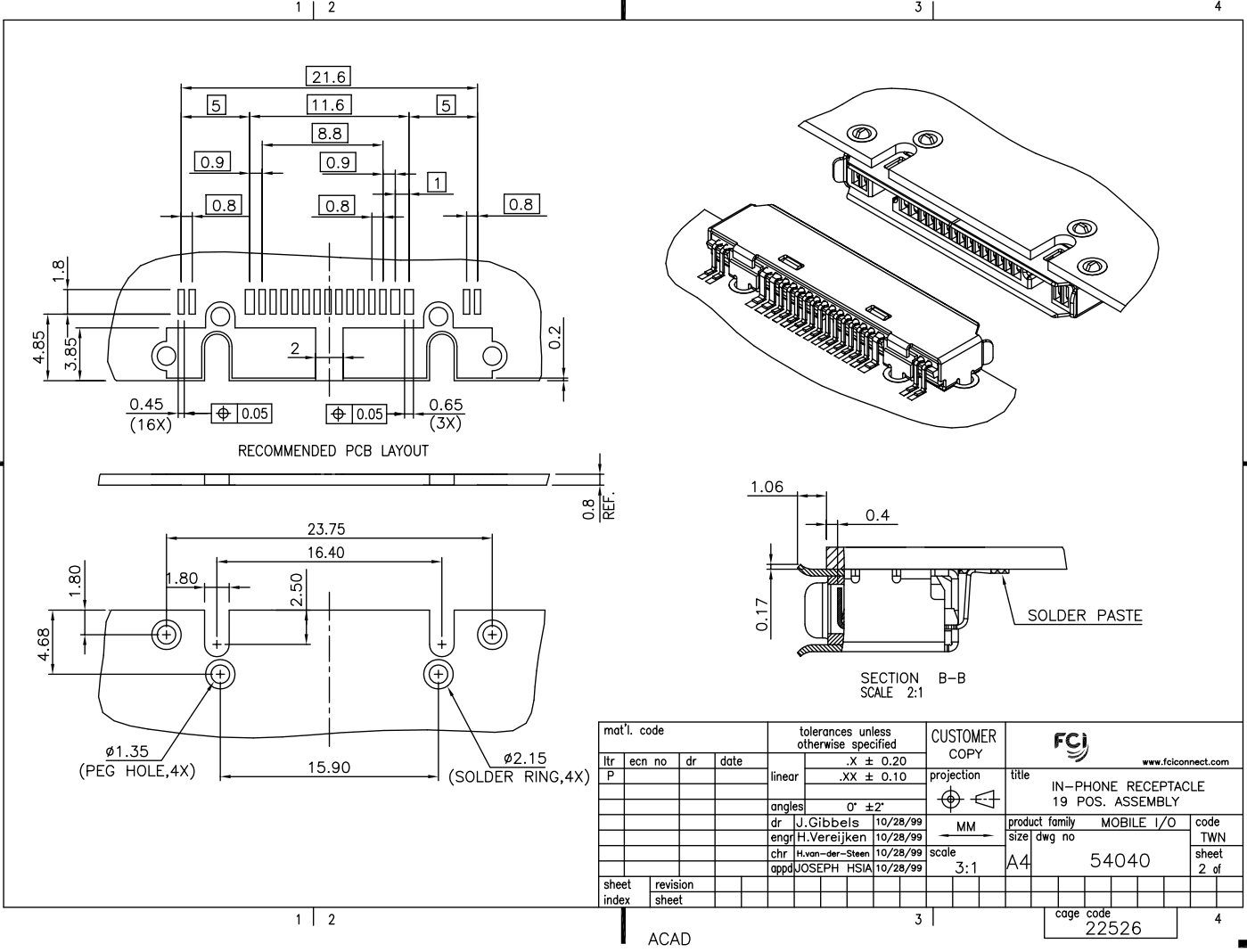
For any questions, you can email us directly:

sales@integrated-circuit.com

Tous droits strictement réservés. Reproduction ou communication a des tiers interdite sous quelque forme que ce soit sans autorisation écrite du propriétaire. Propriété de FCI. Droits de reproduction FCI.



All rights strictly reserved. Reproduction or issue to third parties in any form whatsoever is not permitted without written authority from the proprietor. Property of FCI. Copyright FCI.



mat'l. code		tolerances unless otherwise specified		CUSTOMER COPY		FCI www.fciconnect.com	
ltr	ecn no	dr	date	linear	.X ± 0.20	projection	title
P					.XX ± 0.10	⊕	IN-PHONE RECEPTACLE 19 POS. ASSEMBLY
				angles	0° ± 2°	MM	product family MOBILE I/O
				dr	J.Gibbels 10/28/99	scale	code TWN
				engr	H.Vereijken 10/28/99	3:1	size dwg no
				chr	H.van-der-Steen 10/28/99	A4	54040
				app	JOSEPH HSIA 10/28/99		sheet 2 of
sheet index	revision sheet						cage code 22526

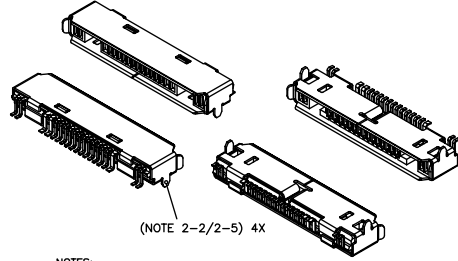
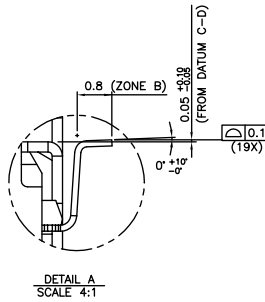
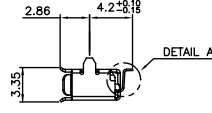
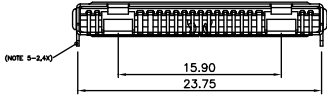
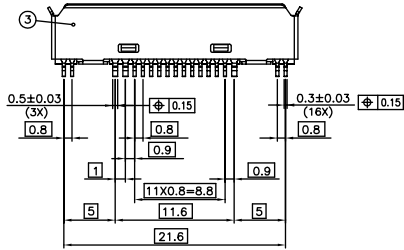
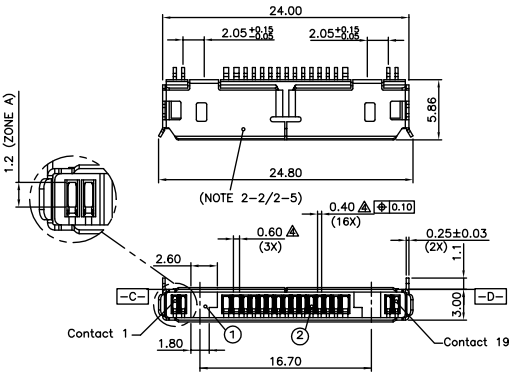
ACAD

Tous droits strictement réservés. Reproduction ou communication a des tiers interdite sous quelque forme que ce soit sans autorisation écrite du propriétaire. Property of FCI. Droits de reproduction FCI.



All rights strictly reserved. Reproduction or issue to third parties in any form whatsoever is not permitted without written authority from the proprietor. Property of FCI. Copyright FCI.

PRODUCT NUMBER	REMARK
54040-002-LF	BOTTOM MOUNT



(NOTE 2-2/2-5) 4X

NOTES:

- MATERIAL**
1-1 HOUSING: HIGH TEMP. PLASTIC, LCP OR EQUIVALENT. UL94V-0, COLOR BLACK.
1-2 CONTACT: COPPER ALLOY. THICKNESS: 0.15±0.02 mm. RAW MAT'L MUST SUPPLIED BY NIPPON MINING.
1-3 SHIELD: STAINLESS STEEL. THICKNESS: 0.25±0.03 mm.
- FINISH**
2-1 CONTACT: Ni 1.2um(50u") UNDERPLATED ALL OVER, --ZONE A: 0.76um Au. --ZONE B: PURE Sn 2.5 um(100u") FOR 54040-002-LF EXCEPT CUT-OFF EDGES.
2-2 SHIELD: Ni 1.2um(50u")
- PACKAGE**
3-1 PACKAGING SPECIFICATION: GES-14-532, PRODUCT TO BE TAPED ON REEL PACKED.
- WIDTH OF CONTACT**

CONTACT POSITION	WIDTH
3,4,17	0.6 mm
OTHERS	0.4 mm
- RECOMMENDED PCB LAYOUT**
5-1 SEE SHEET 2.
5-2 THE SHIELD FOUR PEGS AND BOTTOM SURFACE SHOULD BE SOLDERED.
- SUFFIX "-LF"** OF 54040-002-LF MEANS FOR LEAD FREE PRODUCT. 54040-002-LF CAN MEETS EUROPEAN UNION D OTHER COUNTRY REGULATIONS AS DESCRIBED IN GS-22-008. LEAD FREE LABEL ON REEL & CARTON OF 54040-002-LF PER GS-14-920
- THE HOUSING WILL WITHSTAND EXPOSURE TO 260° PEAK TEMPERATURE FOR 10 SECONDS IN A CONVECTION, INFRA-RED OR VAPOR PHASE REFLOW OVEN**

mat'l. code				tolerances unless otherwise specified		CUSTOMER COPY		www.fciconnect.com	
ltr	ecn no	dr	date	linear	.X ± 0.20	projection	title	product family	MOBILE I/O
S					.XX ± 0.10				
				angles	0° ± 2°			size	dwg no
				dr	J.Gibbels 10/28/99			scale	54040
				engr	H.Vereijken 10/28/99				sheet
				chr	H.von-der-Steen 10/28/99				3 of
				appd	JOSEPH HSIA 10/28/99				
sheet index	revision sheet								

ACAD

PDM: Rev:V

STATUS: Released

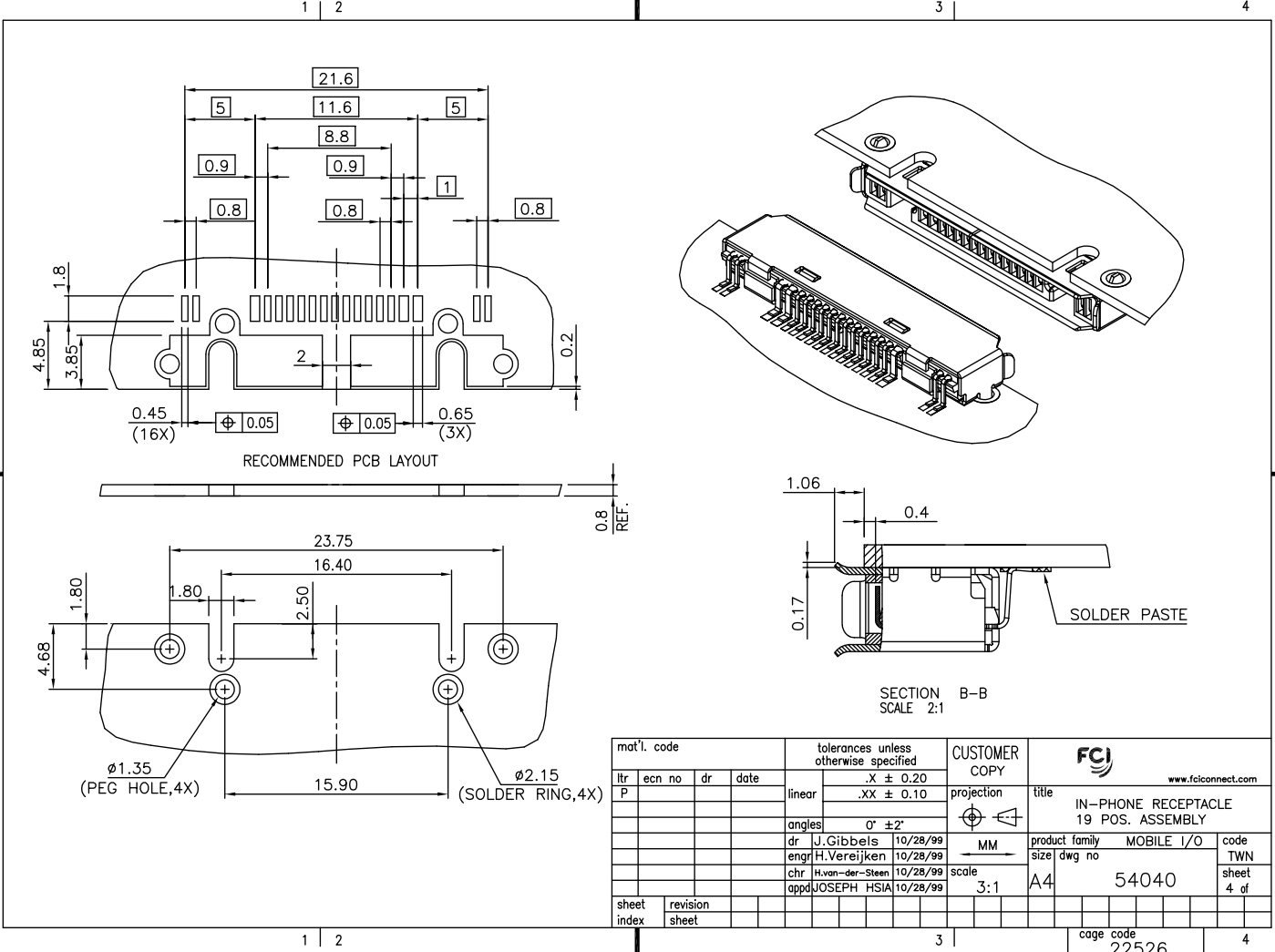
Printed: May 27, 2010

cage code
22526

Tous droits strictement réservés. Reproduction ou communication a des tiers interdite sous quelque forme que ce soit sans autorisation écrite du propriétaire. Propriété de FCI. Droits de reproduction FCI.



All rights strictly reserved. Reproduction or issue to third parties in any form whatsoever is not permitted without written authority from the proprietor. Property of FCI. Copyright FCI.



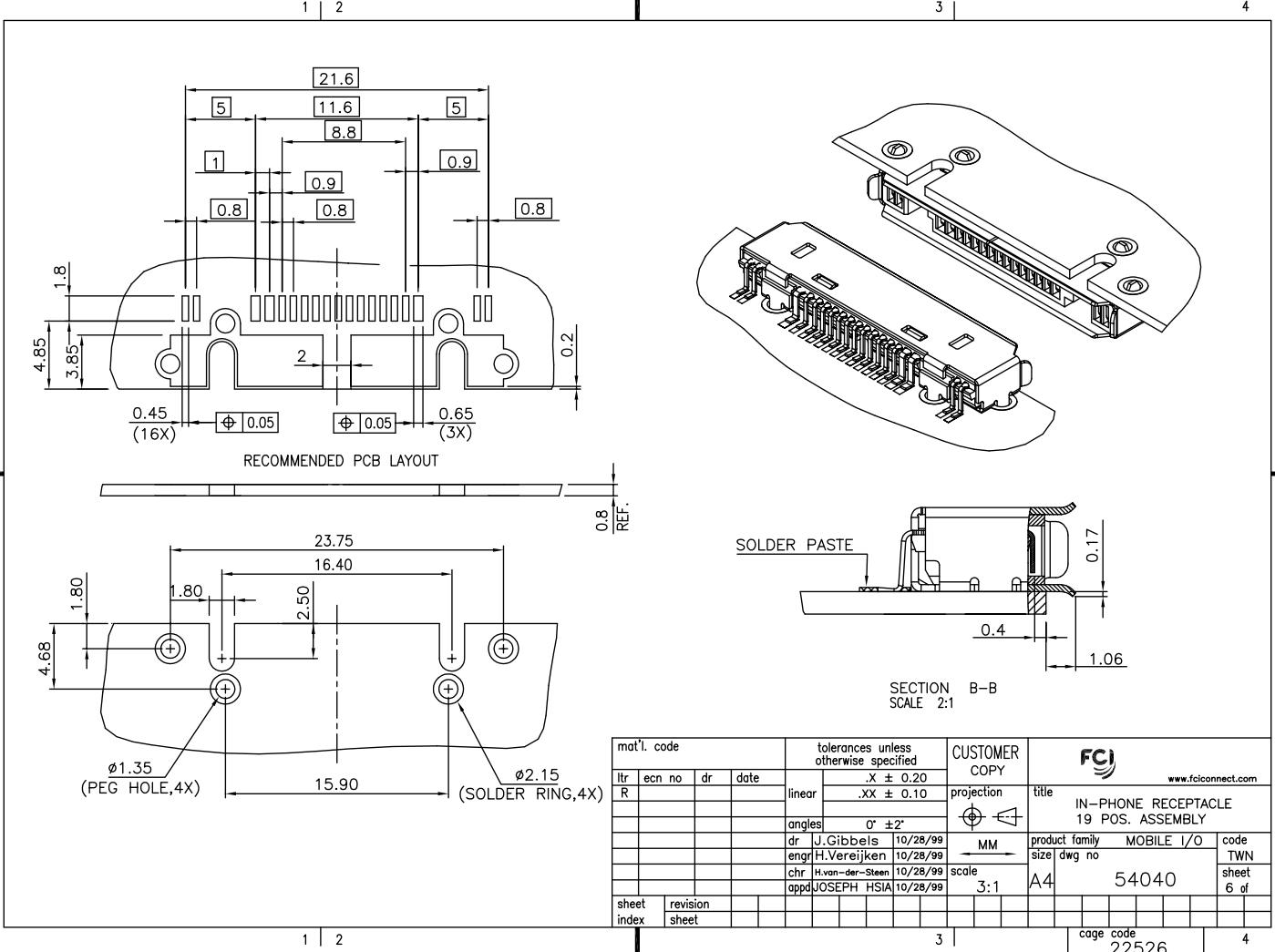
mat'l. code		tolerances unless otherwise specified		CUSTOMER COPY		FCI		www.fciconnect.com	
ltr	ecn no	dr	date	linear	.X ± 0.20	projection	title	IN-PHONE RECEPTACLE 19 POS. ASSEMBLY	
P					.XX ± 0.10	MM	product family	MOBILE I/O	code
				angles	0° ± 2°	MM	size	dwg no	TWN
				dr	J.Gibbels 10/28/99	3:1	A4	54040	sheet
				engr	H.Verrijken 10/28/99				4 of
				chr	H.van-der-Steen 10/28/99				
				appd	JOSEPH HSIA 10/28/99				
sheet index	revision sheet							cage code	
								22526	

ACAD

Tous droits strictement réservés. Reproduction ou communication a des tiers interdite sous quelque forme que ce soit sans autorisation écrite du propriétaire. Propriété de FCI. Droits de reproduction FCI.



All rights strictly reserved. Reproduction or issue to third parties in any form whatever is not permitted without written authority from the proprietor. Property of FCI. Copyright FCI.



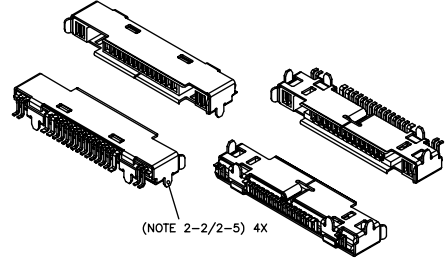
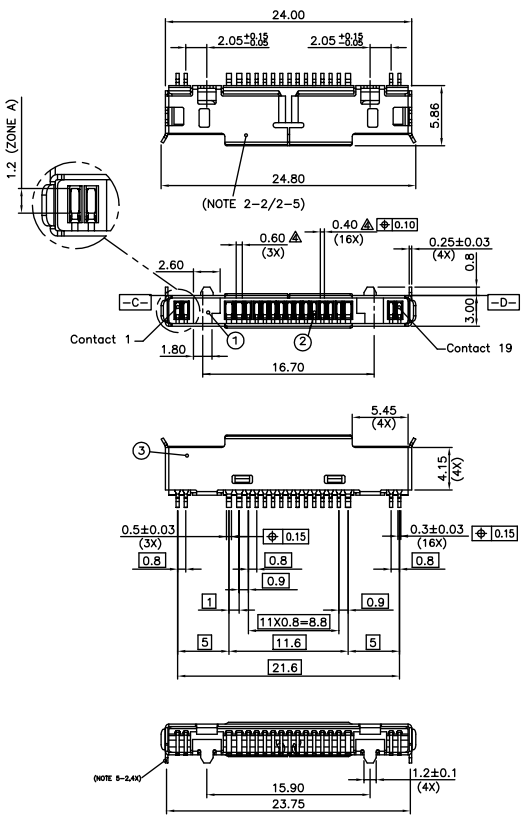
mat'l. code		tolerances unless otherwise specified		CUSTOMER COPY		FCI		www.fciconnect.com	
ltr	ecn no	dr	date	linear	.X ± 0.20	projection	title	product family	MOBILE I/O
R					.XX ± 0.10	MM	IN-PHONE RECEPTACLE 19 POS. ASSEMBLY	size	code
				angles	0° ±2°	scale		dwg no	TWN
				dr	J.Gibbels 10/28/99	3:1	A4	54040	sheet
				engr	H.Vereijken 10/28/99			6 of	
				chr	H.van-der-Steen 10/28/99				
				appd	JOSEPH HSIA 10/28/99				
sheet index	revision sheet							cage code	
								22526	

ACAD

Tous droits strictement réservés. Reproduction ou communication a des tiers interdite sans que soit obtenue l'autorisation écrite du propriétaire. Property of FCI. Droits de reproduction FCI.

All rights strictly reserved. Reproduction or issue to third parties in any form whatsoever not permitted without written authority from the proprietor. Property of FCI. Copyright FCI.

PRODUCT NUMBER	REMARK
54040-004-LF	BOTTOM MOUNT



- NOTES:**
- MATERIAL**
 - 1-1 H HOUSING: HIGH TEMP. PLASTIC, LCP OR EQUIVALENT. UL94V-0, COLOR BLACK.
 - 1-2 C CONTACT: COPPER ALLOY. THICKNESS: 0.15 ± 0.02 mm. RAW MAT'L MUST SUPPLIED BY NIPPON MINING.
 - 1-3 S SHIELD: STAINLESS STEEL. THICKNESS: 0.25 ± 0.03 mm.
 - FINISH**
 - 2-1 CONTACT: Ni 1.2um(50u") UNDERPLATED ALL OVER, --ZONE A: 0.76um Au, --ZONE B: PURE Sn 2.5 um FOR 54040-004-LF EXCEPT CUT-OFF EDGES.
 - 2-2 SHIELD: Ni 1.2um(50u")
 - PACKAGE**
 - 3-1 PACKAGING SPECIFICATION: GES-14-532, PRODUCT TO BE TAPED ON REEL PACKED.
 - WIDTH OF CONTACT**

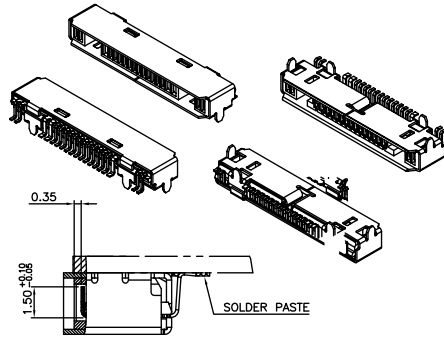
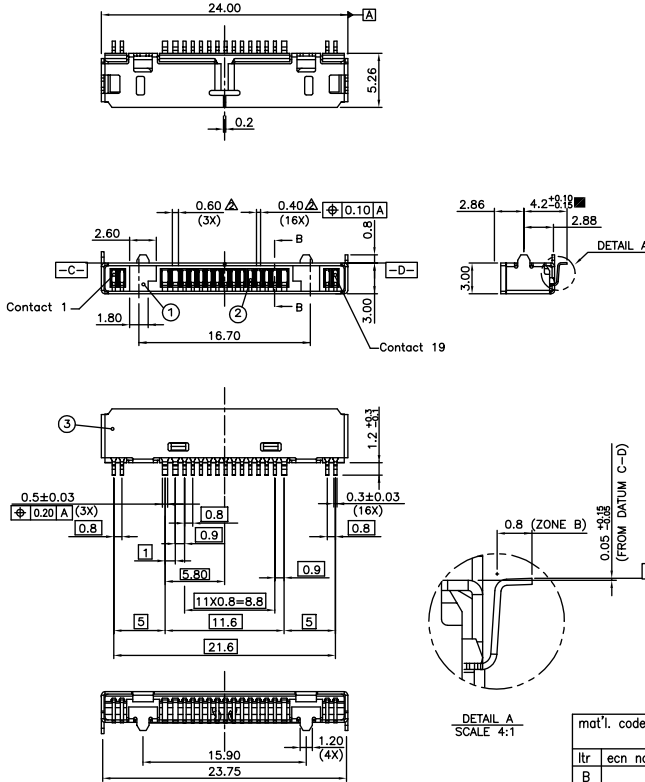
CONTACT POSITION	WIDTH
3,4,17	0.6 mm
OTHERS	0.4 mm
 - RECOMMENDED PCB LAYOUT**
 - 5-1 SEE SHEET 2.
 - 5-2 THE SHIELD FOUR PEGS AND BOTTOM SURFACE SHOULD BE SOLDERED.
 - SUFFIX "-LF" OF 54040-004-LF MEANS FOR LEAD FREE PRODUCT. 54040-004-LF CAN MEETS EUROPEAN UNION D OTHER COUNTRY REGULATIONS AS DESCRIBED IN GS-22-008. LEAD FREE LABEL ON REEL & CARTON OF 54040-004-LF PER GS-14-920**
 - THE HOUSING WILL WITHSTAND EXPOSURE TO 260° PEAK TEMPERATURE FOR 10 SECONDS IN A CONVECTION, INFRA-RED OR VAPOR PHASE REFLOW OVEN**

mat'l. code		tolerances unless otherwise specified		CUSTOMER COPY		FCI www.fciconnect.com	
ltr	ecn no	dr	date	linear	.X ± 0.20	projection	title
S					.XX ± 0.10	\oplus	IN-PHONE RECEPTACLE 19 POS. ASSEMBLY
				angles	0° ± 2°	MM	product family MOBILE I/O
		dr	J.Gibbels 10/28/99	engr	H.Verrijken 10/28/99	scale	size dwg no
		chr	H.von-der-Steen 10/28/99	appd	JOSEPH HSIA 10/28/99	2:1	A4
sheet index	revision sheet						code TWN sheet 7 of
							cage code 22526

ACAD

Tous droits strictement réservés. Reproduction ou communication a des tiers interdite sous quelque forme que ce soit sans autorisation écrite du propriétaire. Property of FCI. Droits de reproduction FCI.
 All rights strictly reserved. Reproduction or issue to third parties in any form whatsoever is not permitted without written authority from the proprietor. Property of FCI. Copyright FCI.

PRODUCT NUMBER	REMARK
54040-005-LF	BOTTOM MOUNT



- SECTION B-B
SCALE 2:1
- NOTES:
- MATERIAL
 - 1-1 HOUSING: HIGH TEMP. PLASTIC, LCP OR EQUIVALENT. UL94V-0, COLOR BLACK.
 - 1-2 CONTACT: COPPER ALLOY. THICKNESS: 0.15±0.02 mm. RAW MAT'L MUST SUPPLIED BY NIPPON MINING.
 - 1-3 SHIELD: STAINLESS STEEL. THICKNESS: 0.25±0.03 mm.
 - FINISH
 - 2-1 CONTACT: Ni 1.2um(50u") UNDERPLATED ALL OVER,
 - ZONE A: 0.76um Au.
 - ZONE B: PURE Sn 2.5 um FOR 54040-005-LF ; EXCEPT CUT-OFF EDGES.
 - ZONE B: MATTE PURE TIN 2.5~5um(100~200u"). (FOR LEAD FREE PLATING) EXCEPT CUT-OFF EDGES.
 - 2-2 SHIELD: Ni 1.2um(50u")
 - PACKAGE
 - 3-1 PACKAGING SPECIFICATION: GES-14-532, PRODUCT TO BE TAPED ON REEL PACKED.
 - WIDTH OF CONTACT

CONTACT POSITION	WIDTH
3,4,17	0.6 mm
OTHERS	0.4 mm
 - RECOMMENDED PCB LAYOUT
 - 5-1 THE SHIELD FOUR PEGS AND BOTTOM SURFACE SHOULD BE SOLDERED.
 - SUFFIX "-LF" OF 54040-001-LF MEANS FOR LEAD FREE PRODUCT. 54040-005-LF CAN MEETS EUROPEAN UNION D OTHER COUNTRY REGULATIONS AS DESCRIBED IN GS-22-008. LEAD FREE LABEL ON REEL & CARTON OF 54040-005-LF PER GS-14-920
 - THE HOUSING WILL WITHSTAND EXPOSURE TO 260° PEAK TEMPERATURE FOR 10 SECONDS IN A CONVECTION, INFRA-RED OR VAPOR PHASE REFLOW OVEN

mat'l. code		tolerances unless otherwise specified		CUSTOMER COPY		FCI	
ltr	ecn no	dr	date	.X ± 0.20	projection	www.fciconnect.com	
B				.XX ± 0.10	MM	title	
				angles 0° ± 2°	MM	IN-PHONE RECEPTACLE	
		dr	J.Gibbels 10/28/99		MM	product family	MOBILE I/O
		engr	H.Vereijken 10/28/99		MM	size	dwg no
		chr	H.van-der-Steen 10/28/99		MM	scale	54040
		app	JOSEPH HSIA 10/28/99		MM	code	TWN
sheet	revision					sheet	8 of
index	sheet					8 of	

ACAD

PDM: Rev:V

STATUS: Released

Printed: May 27, 2010

cage code
22526