

Excellent Integrated System Limited

Stocking Distributor

Click to view price, real time Inventory, Delivery & Lifecycle Information:

[Panasonic Electronic Components](#)
[LN39GCP](#)

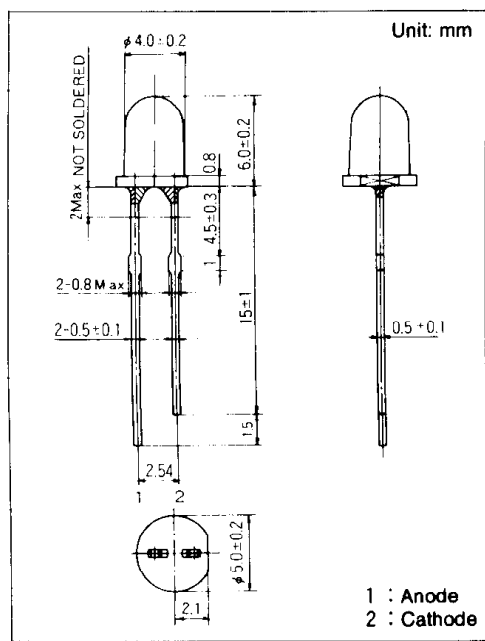
For any questions, you can email us directly:

sales@integrated-circuit.com

丸形 Round Type

φ 4.0mm Series

Type No.	Lighting Color
LN39GPP	Green
LN39GCPP	Green
LN39CPP	Green



絶対最大定格 Absolute Maximum Ratings (Ta=25 °C)

Lighting Color	P _D (mW)	I _F (mA)	I _{FP} (mA)*	V _R (V)	Topr (°C)	Tstg (°C)
Green	90	30	150	4	-25~+85	-30~+100

* I_{FP}の条件は, duty 10%, Pulse width 1 msec. The condition of I_{FP} is duty 10%, Pulse width 1 msec

電気的光学的特性 Electro-Optical Characteristics (Ta=25 °C)

Type No.	Lighting Color	Lens Color	I _O			V _F		λ _P	Δλ	I _R		
			Typ.	Min.	I _F	Typ.	Max.			I _F	Max.	V _R
LN39GPP	Green	Green Diffused	5.0	2.0	20	2.2	2.8	565	30	20	10	4
LN39GCPP	Green	Green Clear	15.0	6.0	20	2.2	2.8	565	30	20	10	4
LN39CPP	Green	Clear	15.0	6.0	20	2.2	2.8	565	30	20	10	4
Unit	—	—	mcd	mcd	mA	V	V	nm	nm	mA	μA	V

