

Excellent Integrated System Limited

Stocking Distributor

Click to view price, real time Inventory, Delivery & Lifecycle Information:

[TE Connectivity AMP Connectors](#)
[206471-1](#)

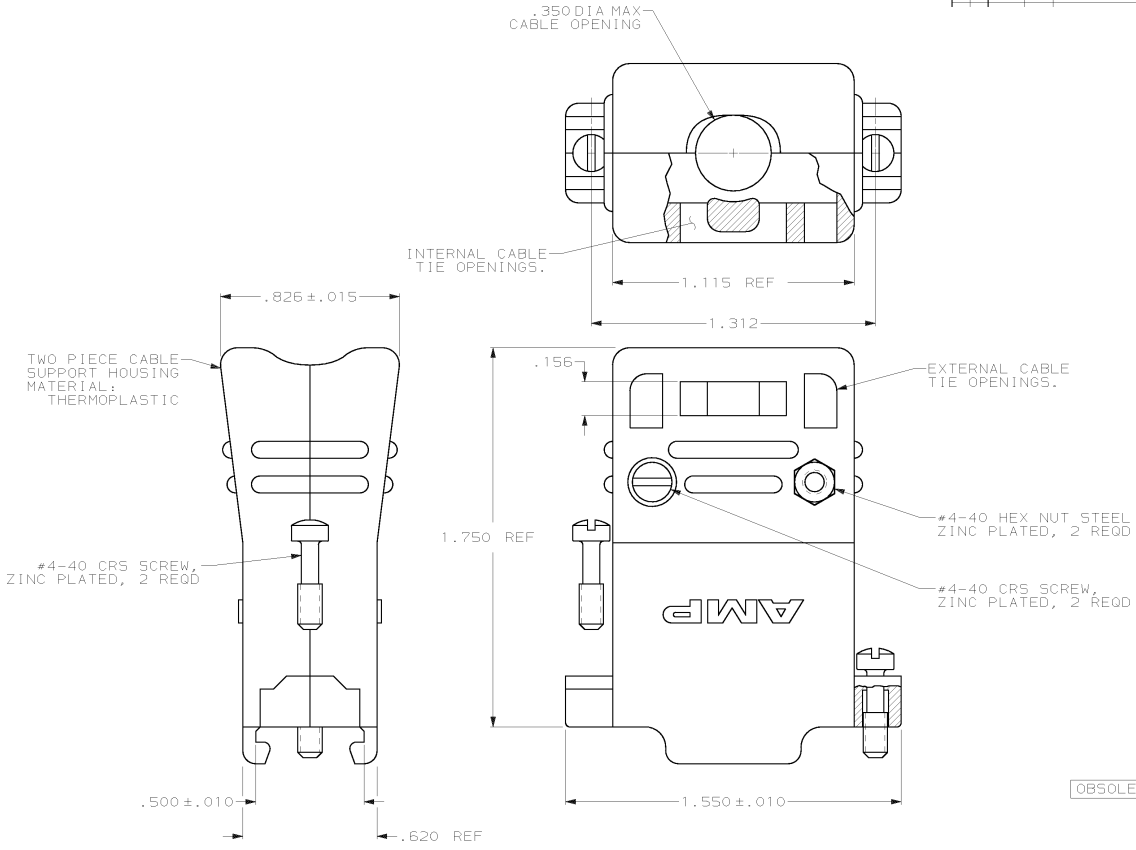
For any questions, you can email us directly:

sales@integrated-circuit.com

4
 DRAWING MADE IN THIRD ANGLE PROJECTION

THIS DRAWING IS UNPUBLISHED. RELEASED FOR PUBLICATION .19
 © COPYRIGHT 19 BY AMP INCORPORATED. ALL INTERNATIONAL RIGHTS RESERVED.

MOD	LRC	DISP	P	F	ZONE	LTR	REVISIONS	DATE	APPD
-	GP	00					DESCRIPTION		
							REV PER EC OUID-0247-00	16 JAN 02	JR



OBSOLETE		206471-2
	AS SHOWN	206471-1
PACKAGING		PART NUMBER

- THIS PART WILL FIT ANY STANDARD SIZE 2 PLUG OR RECEPTACLE IN THE AMPLIMITE SERIES.
 - ALL PARTS ARE PACKAGED UNASSEMBLED.
- SAME AS -1 EXCEPT EACH PART BULK PACKED, MINIMUM ORDER 10,000 KITS.

DO NOT SCALE PRINT. UNLESS SPECIFIED DIMENSIONS IN INCHES TOLERANCES ON:	DR 5-3-90 J GALLUCCI BG	AMP INCORPORATED Harrisburg, Pa. 17105	
2 PLC DEC ± .005	CHK -	NAME	
3 PLC DEC ± .005	APPO -	CABLE CLAMP ASSEMBLY, SIZE 2, 15 POSITION, AMPLIMITE™ HD-20	
ANGLES # -	APPO -	SIZE	FSCM NO
MATERIAL	PRODUCT SPEC	C	00779
FINISH	APPLICATION SPEC	DRAWING NO	206471
SEE CALLOUT		SCALE	4:1
SEE CALLOUT		SHEET	1 OF 1