

Excellent Integrated System Limited

Stocking Distributor

Click to view price, real time Inventory, Delivery & Lifecycle Information:

[TE Connectivity AMP Connectors](#)
[748676-1](#)

For any questions, you can email us directly:

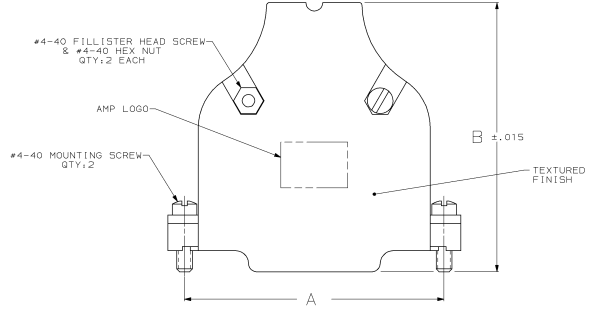
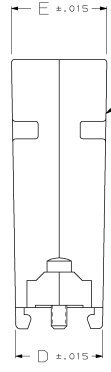
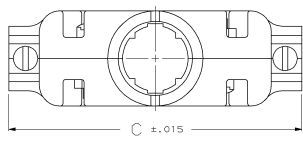
sales@integrated-circuit.com



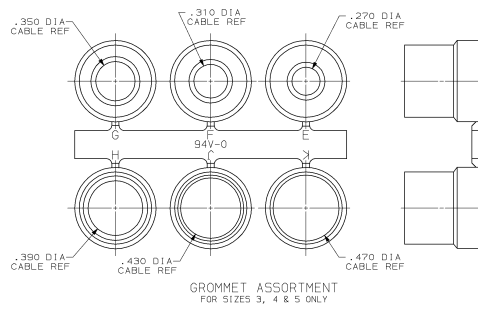
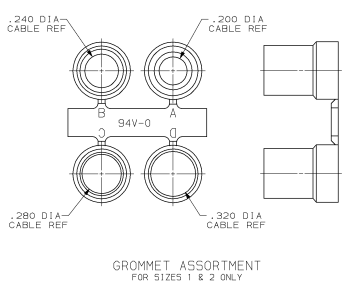
Distributor of TE Connectivity AMP Connectors: Excellent Integrated System Limited
 Datasheet of 748676-1 - CONN BACKSHELL DB9 DIE CAST

PRINTING MADE IN THIRD ANGLE PROJECTION
 THIS DRAWING IS UNCONTROLLED. RELEASED FOR PUBLICATION
 © copyright 18 BY AMP INCORPORATED. ALL INTERNATIONAL RIGHTS RESERVED.

REV	DATE	DESCRIPTION	DATE	APPD
0		RELEASED		
A		REVISED PER ECN-2422	03/08/18	SM
B		REV PER EC 0020-117-93	08/11/18	SB
B1		ADDED -6, -7, -8 PER NPR 4841	05/08/18	MK
C		REV PER EC 0020-308-95	05/04/18	JS
D		REV PER EC 0020-981-55	04/24/18	JS
E		OBsolete - B THRU -B PER EC 0420-141-96	04/01/18	SB
F		ADDED -9 PER EC 0640-270-98	04/24/18	JK



- 1. PARTS PACKAGED UNASSEMBLED AS A UNIT KIT.
- △ CABLE CLAMP HALVES: ZINC ALLOY, FILLISTER HEAD SCREWS, HEX NUTS & MOUNTING SCREWS: STEEL PER ASTM A106.
- △ GROMMETS: FLEXIBLE PVC, UL 94V-0 RATED, COLOR: BLACK.
- △ CABLE CLAMP HALVES: NICKEL OVER COPPER, FILLISTER HEAD SCREWS, HEX NUTS & MOUNTING SCREWS: ZINC PLATED PER ASTM B633, TYPE III, CLASS 501, CLEAR CHROMATE.



	E	D	C	B	A	SIZE	PART NO
BULK PACK	.580	.620	2.090	1.920	1.852	3	748676-9
OBsolete SMALL PACK	.680	.620	2.090	1.920	1.852	3	748676-B
OBsolete SMALL PACK	.620	.620	1.545	1.910	1.312	2	748676-7
OBsolete SMALL PACK	.550	.620	1.215	1.910	.984	1	748676-6
STANDARD	.900	.730	2.644	1.920	2.408	5	748676-5
STANDARD	.800	.620	2.738	1.920	2.500	4	748676-4
STANDARD	.680	.620	2.090	1.920	1.852	3	748676-3
STANDARD	.620	.620	1.545	1.910	1.312	2	748676-2
STANDARD	.550	.620	1.215	1.910	.984	1	748676-1

DO NOT SCALE PRINT. UNLESS SPECIFIED DIMENSIONS IN INCHES TOLERANCES ON:	OR S/4/98 S. MCGON	AMP INCORPORATED
3 PLG DEC + .05	CHK S/4/98 W. J. LEMER	AMP INCORPORATED
ANGLES ± .5	APPD S/6/98 R. MYNE	INTERNATIONAL, No. 1718
MATERIAL:	APPD S/6/98 V. KUMAR	
	PRODUCT SPEC	

FINISH	APPLICATION SPEC	SIZE	FSCH NO	DRAWING NO
△	-	D	00779	748676
WEIGHT	-	SCALE	3:1	SHEET 1 OF 1