

## **Excellent Integrated System Limited**

Stocking Distributor

Click to view price, real time Inventory, Delivery & Lifecycle Information:

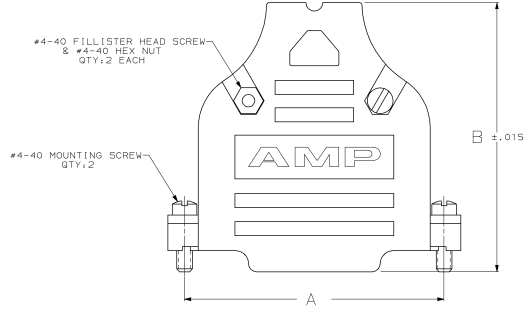
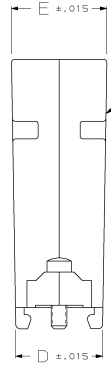
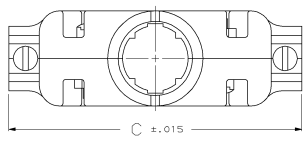
[TE Connectivity AMP Connectors](#)  
[748677-1](#)

For any questions, you can email us directly:

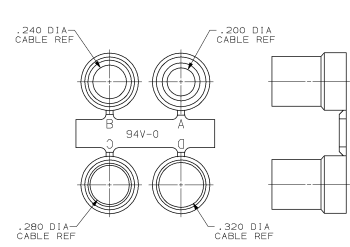
[sales@integrated-circuit.com](mailto:sales@integrated-circuit.com)

PRINTING MADE IN THIRD ANGLE PROJECTION  
 THIS DRAWING IS UNCONTROLLED. RELEASED FOR PUBLICATION  
 © AMP INCORPORATED. ALL INTERNATIONAL RIGHTS RESERVED.

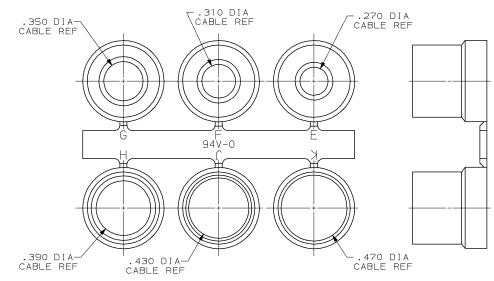
REV	DATE	DESCRIPTION	BY	APP'D
0		RELEASED		
A		REVISED PER ECN-2422		
B		REVISED PER ECN 805389		
C		REV PER EC 0020-117-93		
C1		ADDED -6, -7, -8 PER NPR 4841		
D		REV PER EC 0020-1344-93		
E		OBSOLETE - B THRU -B PER EC 0420-141-96		



- 1. PARTS PACKAGED UNASSEMBLED AS A UNIT KIT.
- △ CABLE CLAMP HALVES: BLACK ABS MOLDING COMPOUND, FILLISTER HEAD SCREWS, HEX NUTS & MOUNTING SCREWS: STEEL PER ASTM A108, GROMMETS: FLEXIBLE PVC, UL 94V-0 RATED, COLOR, BLACK.
- △ CABLE CLAMP HALVES: NICKEL OVER COPPER, FILLISTER HEAD SCREWS, HEX NUTS & MOUNTING SCREWS: ZINC PLATED PER ASTM B633, TYPE III, CLASS SC1, CLEAR CHROMATE.



GROMMET ASSORTMENT FOR SIZES 1 & 2 ONLY



GROMMET ASSORTMENT FOR SIZES 3, 4 & 5 ONLY

OBsolete	SMALL PACK	.580	.640	2.090	1.920	1.852	3	748677-B
OBsolete	SMALL PACK	.620	.620	1.545	1.910	1.312	2	748677-7
OBsolete	SMALL PACK	.570	.630	1.215	1.910	.984	1	748677-6
	STANDARD	.900	.730	2.644	1.920	2.408	5	748677-5
	STANDARD	.800	.620	2.738	1.920	2.500	4	748677-4
	STANDARD	.680	.640	2.090	1.920	1.852	3	748677-3
	STANDARD	.620	.620	1.545	1.910	1.312	2	748677-2
	STANDARD	.570	.630	1.215	1.910	.984	1	748677-1

DO NOT SCALE PRINT. UNLESS SPECIFIED DIMENSIONS IN INCHES TOLERANCES ON 3 PLG DEC + .05 ANGLES ± .5 MATERIAL	DR S4/98 S.MICOM	CHK S4/98 W.J. LEMER	APP'D S4/98 R.WYNE	APP'D S4/98 V.KUMAR	PRODUCT SPEC	FINISH	APPLICATION SPEC	WEIGHT	SIZE D	FSCN NO 00779	DRAWING NO 748677	SCALE 3:1	SHEET 1 OF 1
<p>AMP INCORPORATED</p> <p>KIT, CABLE CLAMP, 180° EXIT, W/GROMMETS, PLATED PLASTIC, AMPLIMITE®</p>													