



Distributor of TE Connectivity AMP Connectors: Excellent Integrated System Limited
Datasheet of 745984-4 - D-Sub Connector Receptacle, Female Sockets 15 Position Through
Hole, Right Angle Solder

Contact us: sales@integrated-circuit.com Website: www.integrated-circuit.com

Excellent Integrated System Limited

Stocking Distributor

Click to view price, real time Inventory, Delivery & Lifecycle Information:

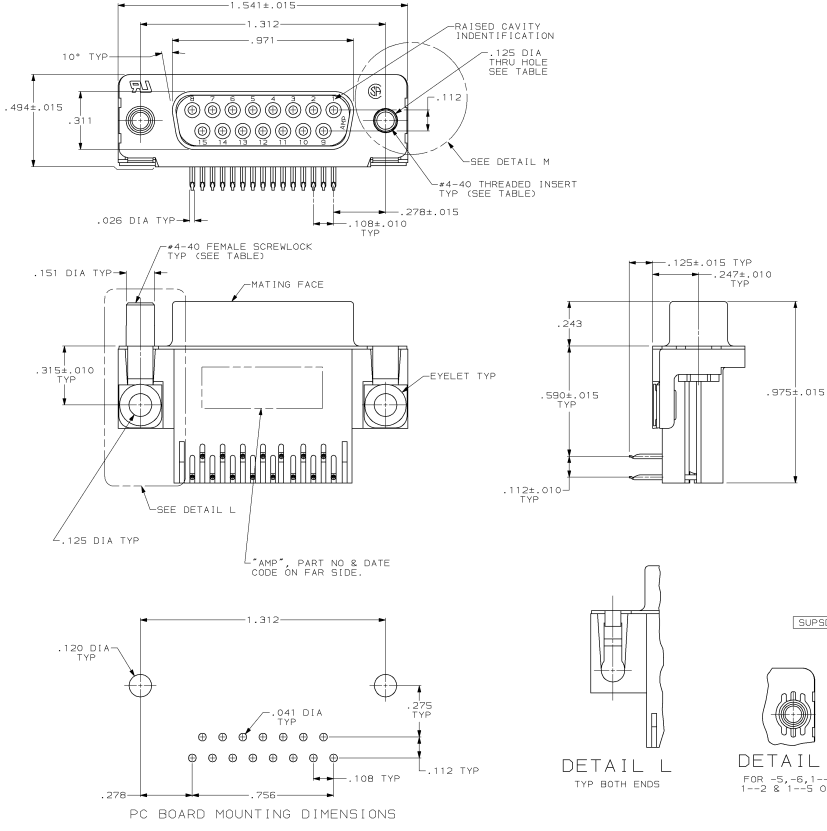
[TE Connectivity AMP Connectors
745984-4](#)

For any questions, you can email us directly:

sales@integrated-circuit.com

PRINTING MADE IN THIRD ANGLE PROJECTION
 THIS DRAWING IS UNCONTROLLED. RELEASED FOR PUBLICATION
 © AMP INCORPORATED. ALL INTERNATIONAL RIGHTS RESERVED.

REV	DATE	DESCRIPTION	BY	APP'D
E	REDRAN			
F	REV PER ECN B04960			
G	REVISED PER ECN B05477			
H	OBSOLETE -7, -8, 1--0, 1--1 AND 1--9 PER ECN B06935			
J	REV PER ECN B06559			
K	OBSOLETE -1, -2, -5 AND -6 PER ECN 0020-830-93			
L	REV PER ECN 0020-1338-94			
M	OB5 -9, -12 PER ECN 0020-448-95			
N	SUPSD -3 PER ECN 0020-465-96			



- CONNECTOR MATES WITH ANY 15 POSN PLUG IN AMPLIMITE™ SERIES & COMPLIES WITH AMP SPEC 108-40005 WHERE APPLICABLE.
- HOLDED PARTS: FLAME RETARDANT 94V-0 RATED THERMOPLASTIC, BLACK. SHELL: STEEL PER ASTM A109 CONTACTS: PHOSPHOR BRONZE PER QQ-B-750 EYELETS: BRASS SCREWLOCKS: ZINC INSERTS: ZINC
- SHELL: BRIGHT TIN PLATED CONTACTS: SEE TABLE EYELETS: TIN PLATED INSERTS: CLEAR CHROMATE SCREWLOCKS: CLEAR CHROMATE
- GOLD PLATING PER MIL-G-45204, NICKEL PLATING PER QQ-N-290, BRIGHT TIN PLATING PER MIL-T-10727.
- GOLD FLASH FOR A DISTANCE OF .100 MIN FROM MATING END, TIN PLATED .000100-.000200 ON SOLDER POST, ALL OVER .00050 NICKEL.
- .000030 GOLD FOR A DISTANCE OF .100 MIN FROM MATING END, TIN PLATED .000100-.000200 ON SOLDER POST, ALL OVER .00050 NICKEL.
- .000015 GOLD FOR A DISTANCE OF .100 MIN FROM MATING END, TIN PLATED .000100-.000200 ON SOLDER POST, ALL OVER .00050 NICKEL.
- .000010 GOLD FOR A DISTANCE OF .100 MIN FROM MATING END, TIN PLATED .000100-.000200 ON SOLDER POST, ALL OVER .00050 NICKEL.

OBsolete	THREADED INSERT	CLINCH TABS (SEE DETAIL L)		1-745984-9
OBsolete	FEMALE SCREWLOCKS	CLINCH TABS (SEE DETAIL L)		1-745984-8
OBsolete	THREADED INSERTS	CLINCH TABS (SEE DETAIL L)		1-745984-7
OBsolete	.125 DIA HOLE	CLINCH TABS (SEE DETAIL L)		1-745984-6
OBsolete	FEMALE SCREWLOCKS	GROUNDING STRAPS		1-745984-5
OBsolete	THREADED INSERTS	GROUNDING STRAPS		1-745984-4
OBsolete	.125 DIA HOLE	GROUNDING STRAPS		1-745984-3
OBsolete	FEMALE SCREWLOCKS	CLINCH TABS (SEE DETAIL L)		1-745984-2
OBsolete	FEMALE SCREWLOCKS	CLINCH TABS (SEE DETAIL L)		1-745984-1
OBsolete	THREADED INSERTS	CLINCH TABS (SEE DETAIL L)		1-745984-0
OBsolete	THREADED INSERTS	CLINCH TABS (SEE DETAIL L)		745984-3
OBsolete	.125 DIA HOLE	CLINCH TABS (SEE DETAIL L)		745984-B
OBsolete	.125 DIA HOLE	CLINCH TABS (SEE DETAIL L)		745984-2
OBsolete	FEMALE SCREWLOCKS	GROUNDING STRAPS		745984-B
OBsolete	FEMALE SCREWLOCKS	GROUNDING STRAPS		745984-5
OBsolete	THREADED INSERTS	GROUNDING STRAPS		745984-4
OBsolete	.125 DIA HOLE	GROUNDING STRAPS		745984-3
OBsolete	.125 DIA HOLE	GROUNDING STRAPS		745984-1

SUPSD BY 745984-4

FINISH	APPLICATION SPEC	SIZE	DRAWING NO
	114-40010	00779	745984
		SCALE	SHEET
		4:1	1 OF 1