

## Excellent Integrated System Limited

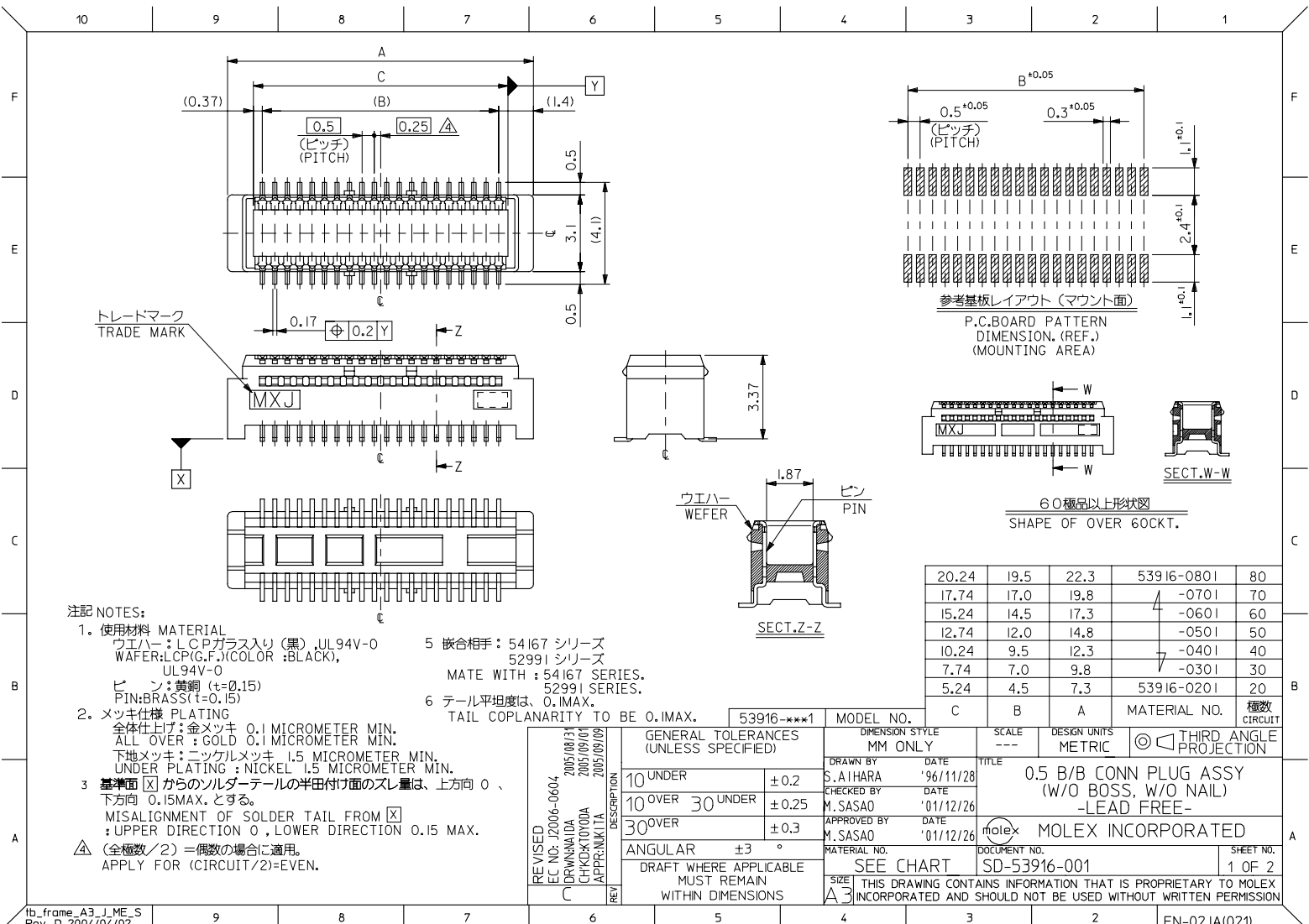
Stocking Distributor

Click to view price, real time Inventory, Delivery & Lifecycle Information:

[Molex Connector Corporation](#)  
[0539160208](#)

For any questions, you can email us directly:

[sales@integrated-circuit.com](mailto:sales@integrated-circuit.com)

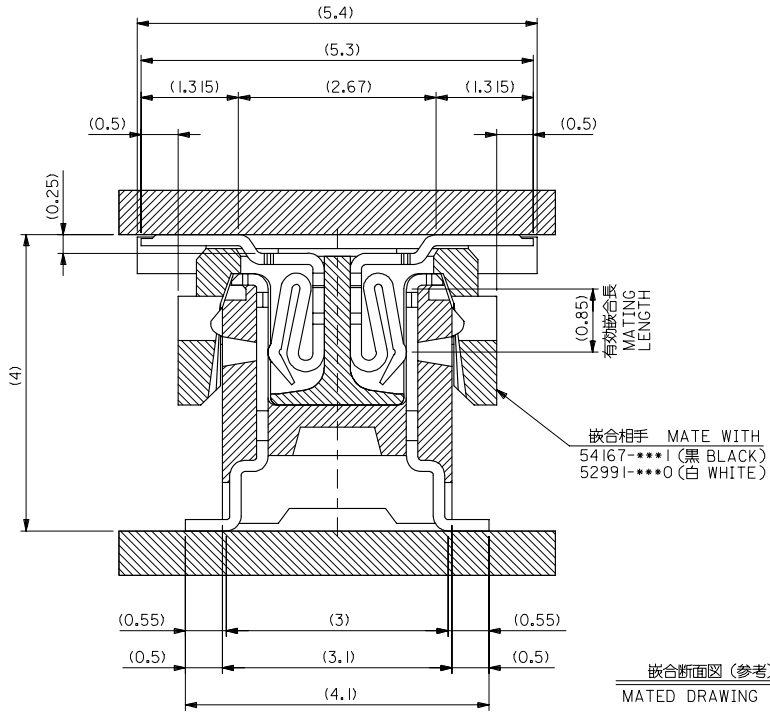


注記 NOTES:

1. 使用材料 MATERIAL  
 ウェハー: LCPガラス入り (黒) UL94V-0  
 WAFER: LCP(G.F.) (COLOR :BLACK), UL94V-0  
 ピン: 黄銅 (t=0.15)  
 PIN: BRASS (t=0.15)
2. メッキ仕様 PLATING  
 全体仕上り: 金メッキ 0.1 MICROMETER MIN.  
 ALL OVER: GOLD 0.1 MICROMETER MIN.  
 下地メッキ: ニッケルメッキ 1.5 MICROMETER MIN.  
 UNDER PLATING: NICKEL 1.5 MICROMETER MIN.
3. 基準面 [X] からの溶剤テールの半田付け面のズレ量は、上方向 0、下方向 0.15MAX. とする。  
 MISALIGNMENT OF SOLDER TAIL FROM [X]: UPPER DIRECTION 0, LOWER DIRECTION 0.15 MAX.
4. (全極数/2) = 偶数の場合に適用。  
 APPLY FOR (CIRCUIT/2)=EVEN.
5. 嵌合相手: 54167 シリズ  
 52991 シリズ  
 MATE WITH: 54167 SERIES.  
 52991 SERIES.
6. テール平坦度は、0.IMAX.  
 TAIL COPLANARITY TO BE 0.IMAX.

20.24	19.5	22.3	53916-0801	80
17.74	17.0	19.8	-0701	70
15.24	14.5	17.3	-0601	60
12.74	12.0	14.8	-0501	50
10.24	9.5	12.3	-0401	40
7.74	7.0	9.8	-0301	30
5.24	4.5	7.3	53916-0201	20

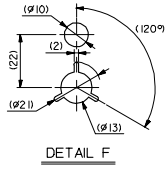
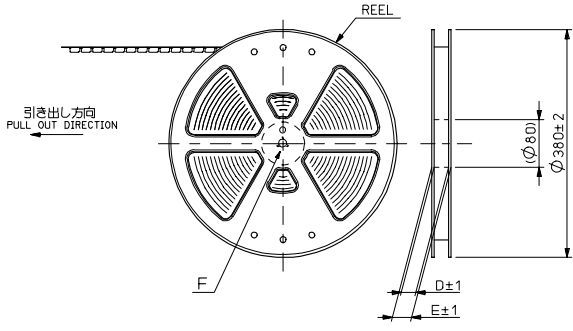
REVISED	EC NO. J2006-0604	2005/08/31	DRYUMALDA	2005/09/01	CHKDK/TOYODA	2005/09/09	APPR/NIKITA	DESCRIPTION	GENERAL TOLERANCES (UNLESS SPECIFIED)	10 UNDER ±0.2	10 OVER 30 UNDER ±0.25	30 OVER ±0.3	ANGULAR ±3°	DRAFT WHERE APPLICABLE MUST REMAIN WITHIN DIMENSIONS	53916-***1	MODEL NO.	MM ONLY	SCALE ---	DESIGN UNITS METRIC	THIRD ANGLE PROJECTION	TITLE	0.5 B/B CONN PLUG ASSY (W/O BOSS, W/O NAIL) -LEAD FREE-	MATERIAL NO.	種数 CIRCUIT
DRAWN	DATE	CHECKED	DATE	APPROVED	DATE	MATERIAL NO.	DOCUMENT NO.	SEE CHART	SD-53916-001	1 OF 2	THIS DRAWING CONTAINS INFORMATION THAT IS PROPRIETARY TO MOLEX INCORPORATED AND SHOULD NOT BE USED WITHOUT WRITTEN PERMISSION													



REVISED		EC NO: J2006-0604		2005/08/31		2005/09/01		2005/09/09		53916-***1		MODEL NO.	
DRAWN/DAI		CHK/KIKUYO		APP/NIKITA		GENERAL TOLERANCES (UNLESS SPECIFIED)		DIMENSION STYLE MM ONLY		SCALE ---		DESIGN UNITS METRIC	
10 UNDER		± ---		10 OVER		30 UNDER		± ---		DRAWN BY S.AIHARA		DATE '96/11/28	
30 OVER		± ---		ANGULAR		± --- °		DRAFT WHERE APPLICABLE MUST REMAIN WITHIN DIMENSIONS		CHECKED BY M.SASAO		DATE '01/12/26	
MATERIAL NO.		SEE CHART		APPROVED BY M.SASAO		DATE '01/12/26		MOLEX INCORPORATED		TITLE		0.5 B/B CONN PLUG ASSY (W/O BOSS, W/O NAIL) -LEAD FREE-	
SIZE A3		THIS DRAWING CONTAINS INFORMATION THAT IS PROPRIETARY TO MOLEX INCORPORATED AND SHOULD NOT BE USED WITHOUT WRITTEN PERMISSION		DOCUMENT NO.		SD-53916-001		SHEET NO.		2 OF 2			

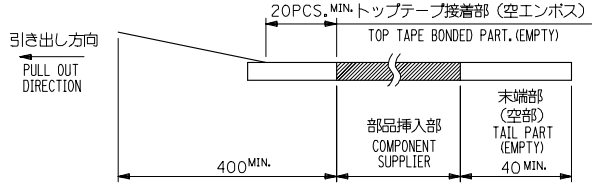
10 9 8 7 6 5 4 3 2 1

F  
E  
D  
C  
B  
A

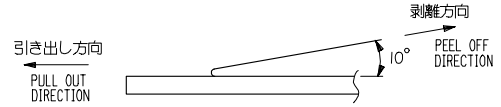


**NOTES**

- 製品詳細寸法については図面 SD-53916-001 を参照下さい。  
RE DETAILED DIMENSION, SEE SD-53916-001
- 梱包数量 : 1500個/リール  
NUMBER OF CONNECTORS : 1500PCS/REEL
- リードテープ長さ LEAD TAPE LENGTH



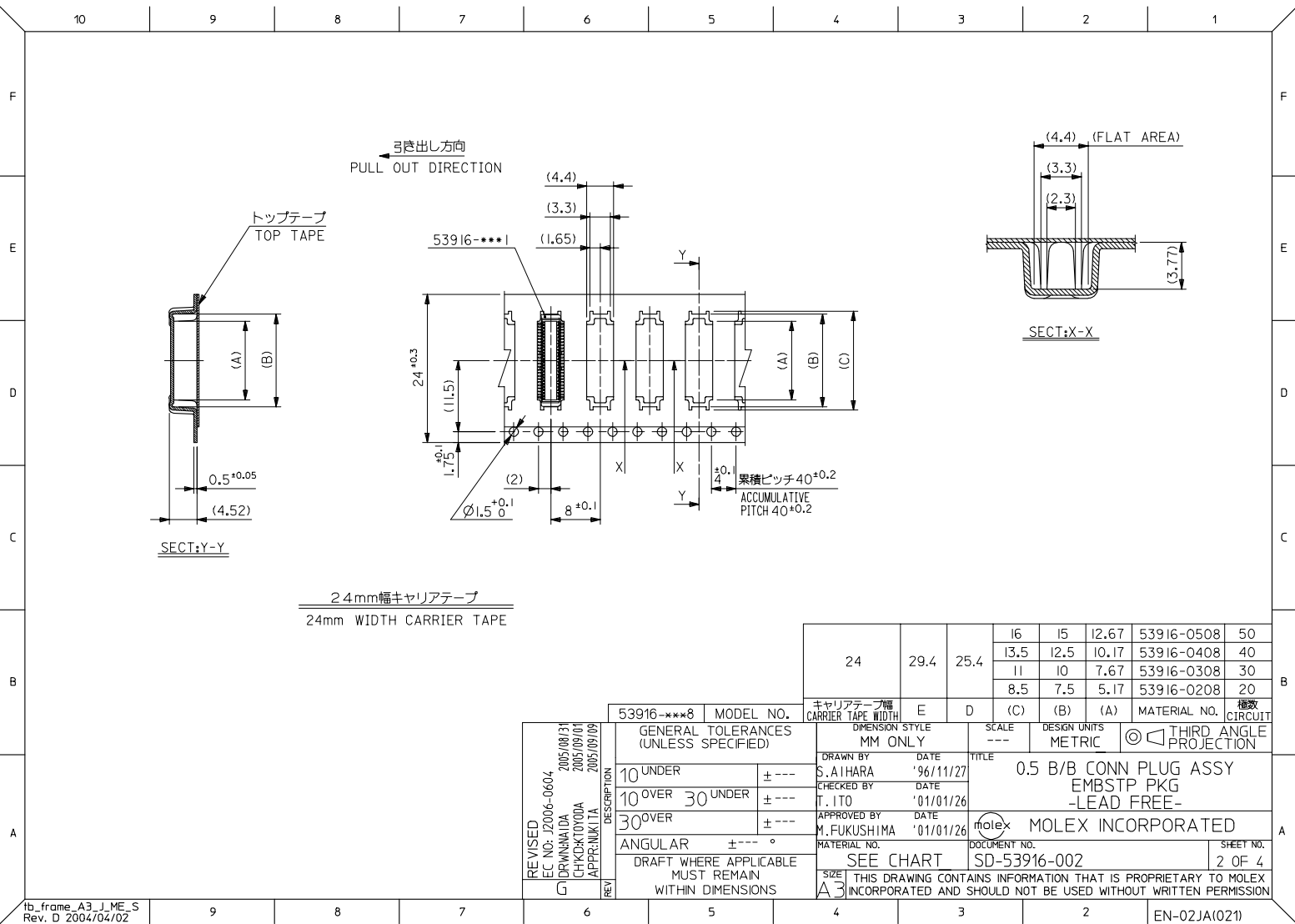
- トップテープの剥離強度 : 0.1N~1.3N (10gf~130gf) (剥離方向は下図参照) 尚、本規格値は出荷時に適用。(但し、輸送時に剥離が発生しないこと。) PEELING OFF FORCE OF TOP TAPE : 0.1N~1.3N (10gf~130gf) (PEELING DIRECTION AS SHOWN IN FOLLOWING FIG.) THIS REQUIREMENT SHOULD BE APPLIED AT SHIPMENT. PEEL OFF SHOULD NOT BE ALLOWED, DURING TRANSPORTATION.



- 材料 (MATERIAL)  
キャリアテープ (CARRIER TAPE) : ポリプロピレン (POLYPROPYLENE)  
トップテープ (TOPTAPE) : PET, PE, PEF  
リール (REEL) : ポリスチレン (PS) <リサイクル材を含む>  
POLYSTYREN (PS) <RECYCLE MATERIAL CONTAINED>

53916-\*\*\*8 MODEL NO.

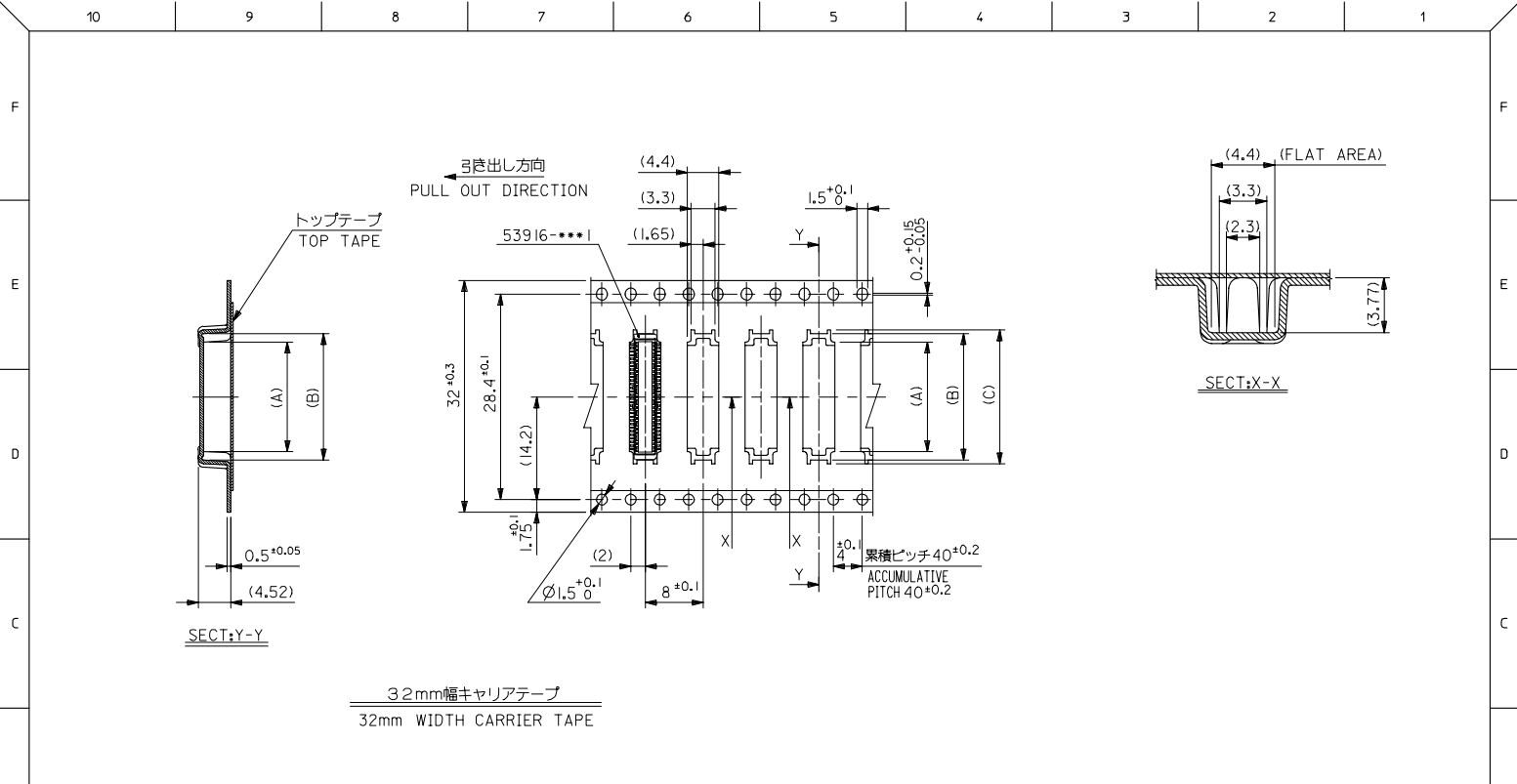
REVISED EC NO: J2006-0604 DRAWN: NALDA CHKD: K. TOYODA APP: R. NIKITA 2005/08/31 2005/09/01 2005/09/09	DESCRIPTION	GENERAL TOLERANCES (UNLESS SPECIFIED)		DIMENSION STYLE	SCALE	DESIGN UNITS	THIRD ANGLE PROJECTION	
				MM ONLY	---	METRIC		
		10 UNDER	±0.2	DRAWN BY	DATE	TITLE		
		10 OVER 30 UNDER	±0.25	S. AIHARA	'96/11/27	0.5 B/B CONN PLUG ASSY		
	30 OVER	±0.3	CHECKED BY	DATE	EMBSTP PKG			
			T. ITO	'01/01/26	-LEAD FREE-			
	ANGULAR	±3 °	APPROVED BY	DATE	MOLEX INCORPORATED			
			M. FUKUSHIMA	'01/01/26	MOLEX INCORPORATED			
	DRAFT WHERE APPLICABLE MUST REMAIN WITHIN DIMENSIONS		MATERIAL NO.	DOCUMENT NO.	SHEET NO.			
			SEE CHART	SD-53916-002	1 OF 4			
			SIZE	THIS DRAWING CONTAINS INFORMATION THAT IS PROPRIETARY TO MOLEX INCORPORATED AND SHOULD NOT BE USED WITHOUT WRITTEN PERMISSION				
			A3					



24	29.4	25.4	16	15	12.67	53916-0508	50
			13.5	12.5	10.17	53916-0408	40
			11	10	7.67	53916-0308	30
			8.5	7.5	5.17	53916-0208	20

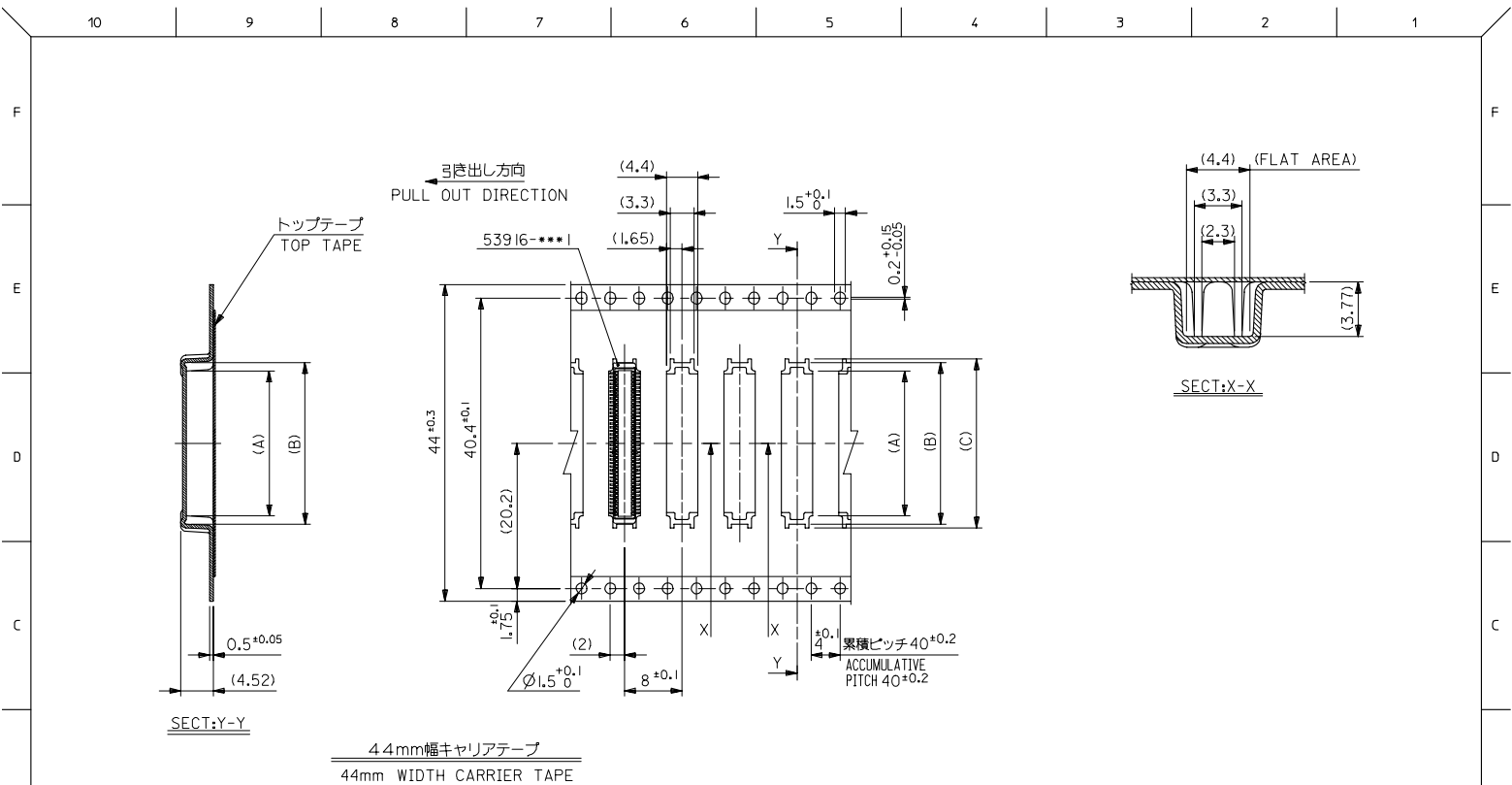
53916-***8	MODEL NO.
GENERAL TOLERANCES (UNLESS SPECIFIED)	
10 UNDER	±---
10 OVER 30 UNDER	±---
30 OVER	±---
ANGULAR	±---°
DRAFT WHERE APPLICABLE MUST REMAIN WITHIN DIMENSIONS	

キャリアテープ幅 CARRIER TAPE WIDTH	E	D	(C)	(B)	(A)	MATERIAL NO.	種別 CIRCUIT
DRAWN BY	DATE		TITLE		SCALE		
S. AIHARA	'96/11/27		0.5 B/B CONN PLUG ASSY		---		
CHECKED BY	DATE		EMBSTP PKG		DESIGN UNITS		
T. ITO	'01/01/26		-LEAD FREE-		METRIC		
APPROVED BY	DATE		MOLEX INCORPORATED		THIRD ANGLE PROJECTION		
M. FUKUSHIMA	'01/01/26		MOLEX INCORPORATED		◎		
MATERIAL NO.	DOCUMENT NO.		SHEET NO.		INCORPORATED AND SHOULD NOT BE USED WITHOUT WRITTEN PERMISSION		
SEE CHART	SD-53916-002		2 OF 4		SIZE		
A3	THIS DRAWING CONTAINS INFORMATION THAT IS PROPRIETARY TO MOLEX INCORPORATED AND SHOULD NOT BE USED WITHOUT WRITTEN PERMISSION				EN-02JA(021)		



32mm幅キャリアテープ  
32mm WIDTH CARRIER TAPE

32	37.4	33.4	18.5	17.5	15.17	53916-0608	60
キャリアテープ幅 CARRIER TAPE WIDTH	E	D	(C)	(B)	(A)	MATERIAL NO.	種数 CIRCUIT
DIMENSION STYLE MM ONLY			SCALE ---	DESIGN UNITS METRIC		THIRD ANGLE PROJECTION	
REVISED	EC NO. J2006-0604	2005/08/31	DRAWN BY T.YASUI		DATE '97/05/14	TITLE 0.5 B/B CONN PLUG ASSY EMBSTP PKG -LEAD FREE-	
DRWN:NAIDA	CHKD:TOYODA	2005/09/01	CHECKED BY T.ITO		DATE '01/01/26	APPROVED BY M.FUKUSHIMA	
APPR:NIKITA	2005/09/09		APPROVED BY M.FUKUSHIMA		DATE '01/01/26	MATERIAL NO. SD-53916-002	
DESCRIPTION	53916-***8	MODEL NO.	GENERAL TOLERANCES (UNLESS SPECIFIED)		MOLEX INCORPORATED		
REV	DESCRIPTION	10 UNDER	±---	DRAWN BY T.YASUI		DATE '97/05/14	TITLE 0.5 B/B CONN PLUG ASSY EMBSTP PKG -LEAD FREE-
		10 OVER 30 UNDER	±---	CHECKED BY T.ITO		DATE '01/01/26	APPROVED BY M.FUKUSHIMA
		30 OVER	±---	APPROVED BY M.FUKUSHIMA		DATE '01/01/26	MATERIAL NO. SD-53916-002
		ANGULAR	±---	MATERIAL NO. SEE CHART		DOCUMENT NO. SD-53916-002	SHEET NO. 3 OF 4
		DRAFT WHERE APPLICABLE MUST REMAIN WITHIN DIMENSIONS		SIZE A3		THIS DRAWING CONTAINS INFORMATION THAT IS PROPRIETARY TO MOLEX INCORPORATED AND SHOULD NOT BE USED WITHOUT WRITTEN PERMISSION	



4.4mm幅キャリアテープ  
44mm WIDTH CARRIER TAPE

REVISED	EC NO: J2006-0604	2005/08/31	DRYUMALDA	2005/09/01	CHKDK/TOYODA	2005/09/01	APPER/NIKITA	2005/09/09
DESCRIPTION	53916-***8 MODEL NO.							
GENERAL TOLERANCES (UNLESS SPECIFIED)	10 UNDER ± ---							
	10 OVER 30 UNDER ± ---							
	30 OVER ± ---							
ANGULAR	± --- °							
DRAFT WHERE APPLICABLE MUST REMAIN WITHIN DIMENSIONS								
DRAWN BY S. AIHARA			DATE '98/10/23			TITLE		
CHECKED BY T. ITO			DATE '01/01/26			0.5 B/B CONN PLUG ASSY		
APPROVED BY M. FUKUSHIMA			DATE '01/01/26			EMBSTP PKG		
						-LEAD FREE-		
MATERIAL NO.			DOCUMENT NO.			SHEET NO.		
SEE CHART			SD-53916-002			4 OF 4		
THIS DRAWING CONTAINS INFORMATION THAT IS PROPRIETARY TO MOLEX INCORPORATED AND SHOULD NOT BE USED WITHOUT WRITTEN PERMISSION								