

Excellent Integrated System Limited

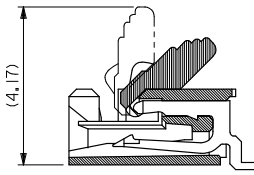
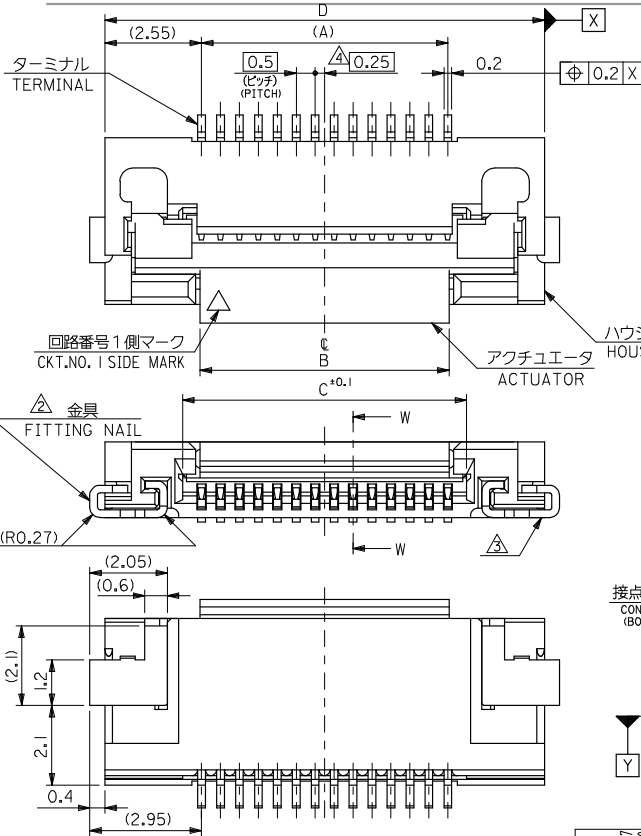
Stocking Distributor

Click to view price, real time Inventory, Delivery & Lifecycle Information:

[Molex Connector Corporation](#)
[52892-2895](#)

For any questions, you can email us directly:

sales@integrated-circuit.com

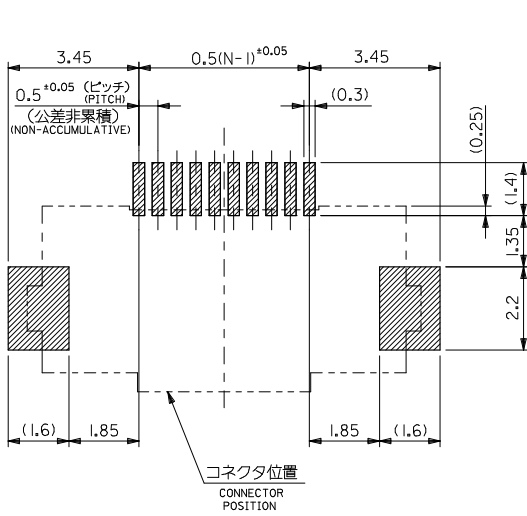


注記 NOTES

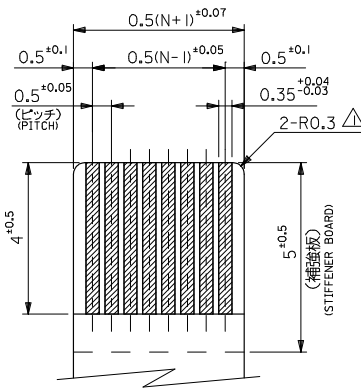
- I. 使用材料 MATERIAL
- ハウジング HOUSING : 46ナイロン, UL94V-0
 - アクチュエータ ACTUATOR : PPS, UL94V-0
 - ターミナル TERMINAL : リン青銅 (t=0.2), ニッケル下地銅ピスマスメッキ PHOS-BRO,TIN-BISMUTH OVER NICKEL PLATED
 - 金具 FITTING NAIL : リン青銅 (t=0.2), ニッケル下地銅メッキ PHOS-BRO,TIN OVER NICKEL PLATED
- △ パターンはくり止め用金具 FITTING NAIL FOR PREVENTION OF PEELING OF P.C.B. PATTERN.
- △ ソルダータール半田付け面のズレ量、及び金具半田付け面のズレ量は、基準面 Y に対し上方向 0.05MAX、下方向 0.2MAX とする。 MISALIGNMENT OF SOLDER TAILS AND FITTING NAILS FROM Y UPPER DIRECTION: 0.05 MAX. , LOWER DIRECTION: 0.2 MAX.
- △ 備数種に適用。 APPLY FOR EVEN CIRCUIT.
5. 本製品は52892-**-**17の鉛フリー品である。 THIS PRODUCT IS LEAD FREE OF 52892-**-**17

| | | | | | | |
|------|------|-------|------|------------|------------|----|
| 19.6 | 15.5 | 14.57 | 14.5 | 52892-3095 | 52892-3019 | 30 |
| 18.6 | 14.5 | 13.57 | 13.5 | -2895 | -2819 | 28 |
| 17.6 | 13.5 | 12.57 | 12.5 | -2695 | -2619 | 26 |
| 16.6 | 12.5 | 11.57 | 11.5 | -2495 | -2419 | 24 |
| 15.6 | 11.5 | 10.57 | 10.5 | -2295 | -2219 | 22 |
| 14.6 | 10.5 | 9.57 | 9.5 | -2095 | -2019 | 20 |
| 14.1 | 10.0 | 9.07 | 9.0 | -1995 | -1919 | 19 |
| 13.6 | 9.5 | 8.57 | 8.5 | -1895 | -1819 | 18 |
| 13.1 | 9.0 | 8.07 | 8.0 | -1795 | -1719 | 17 |
| 12.6 | 8.5 | 7.57 | 7.5 | -1695 | -1619 | 16 |
| 12.1 | 8.0 | 7.07 | 7.0 | -1595 | -1519 | 15 |
| 11.6 | 7.5 | 6.57 | 6.5 | -1495 | -1419 | 14 |
| 11.1 | 7.0 | 6.07 | 6.0 | -1395 | -1319 | 13 |
| 10.6 | 6.5 | 5.57 | 5.5 | -1295 | -1219 | 12 |
| 10.1 | 6.0 | 5.07 | 5.0 | -1195 | -1119 | 11 |
| 9.6 | 5.5 | 4.57 | 4.5 | -1095 | -1019 | 10 |
| 8.6 | 4.5 | 3.57 | 3.5 | 52892-0895 | 52892-0819 | 8 |

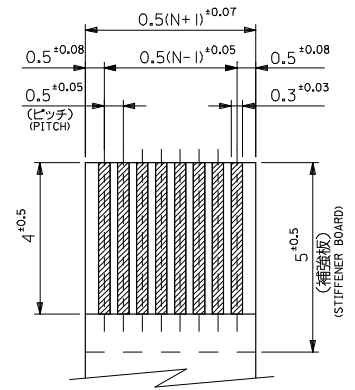
| | | | | | | | | | |
|---|---|---|--------|----------------------------|--------------------|---|------------------------|--------------------------|------------------------|
| REVISED EC NO: J2008-4308 DRAWN BY: M.NABEI CHKD: HARUYAMA APPR: NIKITA | DESCRIPTION 2008/06/27 2008/06/30 2008/06/30 | GENERAL TOLERANCES (UNLESS SPECIFIED) | | DIMENSION STYLE MM ONLY | | SCALE --- | DESIGN UNITS METRIC | MODEL NO. 52892-**-19 | THIRD ANGLE PROJECTION |
| | | 10 UNDER | ± 0.2 | DRAWN BY M. NABEI | DATE 2004/01/09 | TITLE 0.5 FPC CONN ASSY ZIF SMT RA(BTM CONT) E/O -LEAD FREE- | | | |
| | | 10 OVER 30 UNDER | ± 0.25 | CHECKED BY M. SASAO | DATE 2004/01/09 | MOLEX INCORPORATED | | | |
| | | 30 OVER | ± 0.3 | APPROVED BY M. SASAO | DATE 2004/01/09 | MATERIAL NO. SEE TABLE DOCUMENT NO. SD-52892-040 SHEET NO. 1 OF 3 | | | |
| B | REV | ANGULAR ±3° DRAFT WHERE APPLICABLE MUST REMAIN WITHIN DIMENSIONS | | SIZE A3 | | THIS DRAWING CONTAINS INFORMATION THAT IS PROPRIETARY TO MOLEX INCORPORATED AND SHOULD NOT BE USED WITHOUT WRITTEN PERMISSION | | | |



参考基板レイアウト
RECOMMENDED P.C. BOARD
PATTERN DIMENSION (REF.)
(マウント面)
(MOUNTING SIDE)



適合FPC推奨寸法
APPLICABLE FPC
RECOMMENDED DIMENSION
(仕上がり厚さ: 0.3^{+0.03})
(THICKNESS: 0.3^{+0.03})



適合FFC推奨寸法
APPLICABLE FFC
RECOMMENDED DIMENSION
(仕上がり厚さ: 0.3^{+0.03})
(THICKNESS: 0.3^{+0.03})

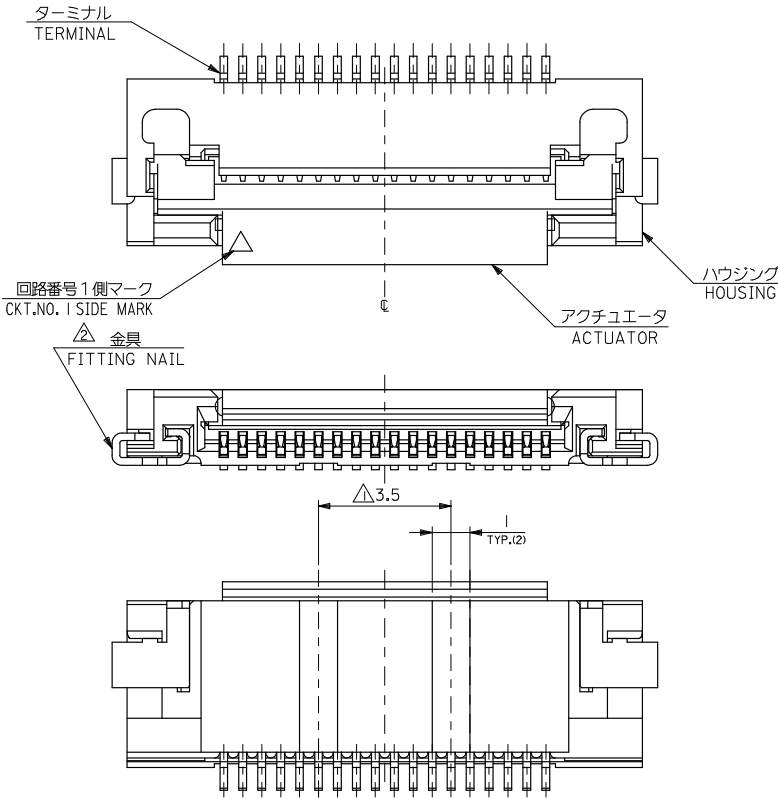
2. FPCについて:
打抜き方向は導体側から補強板側を推奨致します。
補強フィルム材質はポリアミドを推奨致します。
接着剤は熱硬化接着剤を推奨致します。

ABOUT FPC:
RECOMMENDED PUNCHER DIRECTION : FROM CONDUCTOR SIDE TO STIFFENER BOARD SIDE.
RECOMMENDED MATERIAL:
STIFFENER FILM : POLYIMIDE
BONDING AGENT : THERMOSETTING BONDING AGENT

注記 NOTES

- △ R0.3は、FPCの導体部にかからないこと。
R0.3 MUST NOT BE OVERLAPPED TO PATTERN OF FPC.

| | | | | | | | | | | | |
|--------------------------|--|--|--|-----------------------|--|---|--|--------------|--|------------------------|--|
| REVISED | | GENERAL TOLERANCES (UNLESS SPECIFIED) | | DIMENSION STYLE | | SCALE | | 52892-**19 | | MODEL NO. | |
| EC NO: J2008-4308 | | | | MM ONLY | | --- | | DESIGN UNITS | | THIRD ANGLE PROJECTION | |
| DRAWN BY: M. NABEI | | 10 UNDER ±0.2 | | DRAWN BY: M. NABEI | | DATE: 2004/01/09 | | METRIC | | TITLE | |
| 2008/06/30 | | 10 OVER 30 UNDER ±0.25 | | CHECKED BY: M. SASAO | | DATE: 2004/01/09 | | ◎ □ | | 0.5 FPC CONN ASSY ZIF | |
| 2008/06/30 | | 30 OVER ±0.3 | | APPROVED BY: M. SASAO | | DATE: 2004/01/09 | | Molex | | SMT RA(BTM CONT) E/O | |
| DRAWN BY: CHYO:THAYUYAMA | | ANGULAR ±3 ° | | MATERIAL NO. | | DOCUMENT NO. | | SD-52892-040 | | -LEAD FREE- | |
| 2008/06/30 | | DRAFT WHERE APPLICABLE MUST REMAIN WITHIN DIMENSIONS | | SEE SHEET 1 | | 2 OF 3 | | | | SHEET NO. | |
| APPROVED BY: APPRANKITA | | | | SIZE: A3 | | THIS DRAWING CONTAINS INFORMATION THAT IS PROPRIETARY TO MOLEX INCORPORATED AND SHOULD NOT BE USED WITHOUT WRITTEN PERMISSION | | | | 2 OF 3 | |
| REV | | | | | | | | | | EN-02JA(021) | |

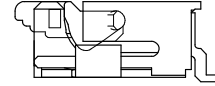


金型変更に伴う形状変更品形状図

APPLY CHANGED FORM AT CHANGED DIE

注記 NOTES

△ 18種以上は2ヶ所、10～16種はハウジングセンター上に1ヶ所とする。
18 CKTS & MORE THAN 18 CKTS PLACED 2 POINT.
10～16 CKTS PLACED 1 POINT ON HOUSING CENTER.



| | | | | | | |
|--|--|--------|-----------------------------|--|---|---------------------------|
| REVISED EC NO.: J2008-4308 DRAWN BY: M. NABEI CHKD: H. HIRUYAMA APPR: N. ITO 2008/06/27 2008/06/30 2008/06/30 | GENERAL TOLERANCES (UNLESS SPECIFIED) | | DIMENSION STYLE MM ONLY | SCALE --- | 52892-**19 | MODEL NO. |
| | 10 UNDER | ± 0.2 | DRAWN BY M. NABEI | DATE 2004/01/09 | DESIGN UNITS METRIC | THIRD ANGLE PROJECTION |
| | 10 OVER 30 UNDER | ± 0.25 | CHECKED BY M. SASAO | DATE 2004/01/09 | TITLE 0.5 FPC CONN ASSY ZIF SMT RA(BTM CONT) E/O -LEAD FREE- | |
| | 30 OVER | ± 0.3 | APPROVED BY M. SASAO | DATE 2004/01/09 | MOLEX INCORPORATED | |
| B | ANGULAR | ± 3 ° | MATERIAL NO. SEE SHEET 1 | DOCUMENT NO. SD-52892-040 | SHEET NO. 3 OF 3 | |
| REV | DRAFT WHERE APPLICABLE MUST REMAIN WITHIN DIMENSIONS | | SIZE A3 | THIS DRAWING CONTAINS INFORMATION THAT IS PROPRIETARY TO MOLEX INCORPORATED AND SHOULD NOT BE USED WITHOUT WRITTEN PERMISSION | | |

10 9 8 7 6 5 4 3 2 1

F

E

D

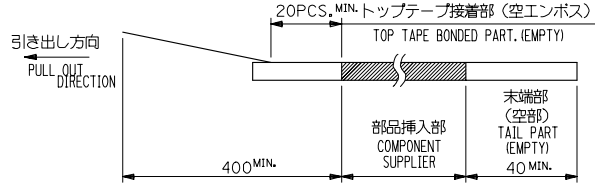
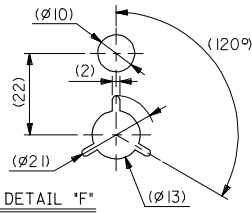
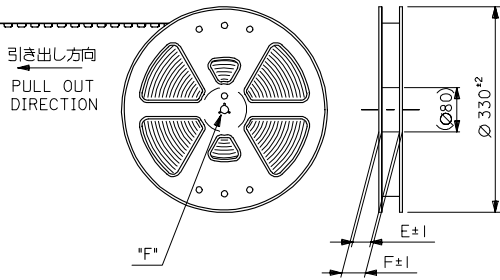
C

B

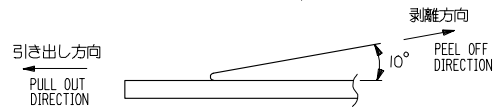
A

注記 NOTES

- 製品詳細寸法については図面 SD-52892-040 を参照下さい。
RE DETAILED DIMENSION, SEE SD-52892-040
- 梱包数量: 1000個/リール
NUMBER OF CONNECTORS: 1000PCS/REEL
- リードテープ長さ LEAD TAPE LENGTH



- トップテープの剥離強度: 0.1N ~ 1.3N (10 ~ 130gf)
(剥離方向は下図参照)
尚、本規格値は出荷時に適用。(但し、輸送時に剥離が発生しないこと。)
PEELING OFF FORCE OF TOP TAPE: 0.1N ~ 1.3N (10 ~ 130gf)
(PEELING DIRECTION AS SHOWN IN FOLLOWING FIG.)
THIS REQUIREMENT SHOULD BE APPLIED AT SHIPMENT.
PEEL OFF SHOULD NOT BE ALLOWED, DURING TRANSPORTATION.



- 材料 (MATERIAL)
キャリアテープ (CARRIER TAPE): ポリプロピレン (POLYPROPYLENE)
トップテープ (TOPTAPE): PET, PE, PEF
リール (REEL): ポリスチレン (PS) <リサイクル材を含む>
POLYSTYRENE (PS) <RECYCLE MATERIAL CONTAINED>

- 本製品は52892-**-90の鉛フリー品である。
THIS PRODUCT IS LEAD FREE OF 52892-**-90

| | | | | | | | | |
|--|------------------|--|-------|-----------------------------|------------------------------|---|------------------------|--|
| REVISED EC NO: J2005-1026 DRAWN: SASAMOR 2004/10/06 CHKDK: TOJO 2004/10/07 APPR: NIKITA 2004/10/12 | DESCRIPTION A | GENERAL TOLERANCES (UNLESS SPECIFIED) | | DIMENSION STYLE MM ONLY | SCALE --- | DESIGN UNITS METRIC | THIRD ANGLE PROJECTION | |
| | | 10 UNDER | ±0.2 | DRAWN BY M.NABEI | DATE 2004/01/09 | TITLE EMBOSSD TAPE PACKAGE FOR 0.5 FPC CONN. -LEAD FREE- | | |
| | | 10 OVER 30 UNDER | ±0.25 | CHECKED BY M.SASAO | DATE 2004/01/09 | | | |
| | | 30 OVER | ±0.3 | APPROVED BY M.SASAO | DATE 2004/01/09 | Molex MOLEX INCORPORATED | | |
| ANGULAR ±3 | | DRAFT WHERE APPLICABLE MUST REMAIN WITHIN DIMENSIONS | | MATERIAL NO. 52892-**-95 | DOCUMENT NO. SD-52892-041 | SHEET NO. 1 OF 2 | | |
| SIZE 1 THIS DRAWING CONTAINS INFORMATION THAT IS PROPRIETARY TO MOLEX INCORPORATED AND SHOULD NOT BE USED WITHOUT WRITTEN PERMISSION | | | | | | | | |

9

8

7

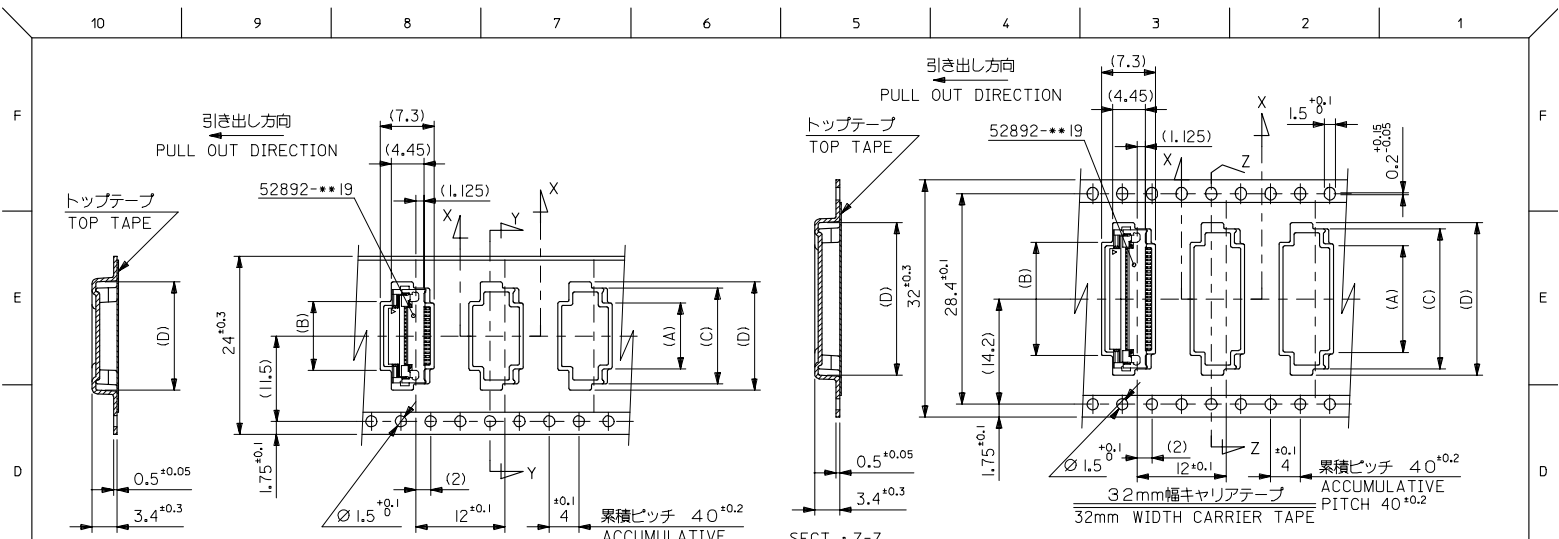
6

5

4

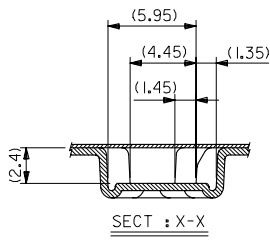
3

2



SECT : Y-Y

24mm幅キャリアテープ
24mm WIDTH CARRIER TAPE



SECT : X-X

SECT : Z-Z

32mm幅キャリアテープ
32mm WIDTH CARRIER TAPE

| | | | | | | | | |
|------|------|------|------|------------|------|------|------------|----|
| 32 | 37.4 | 33.4 | 21.6 | 19.9 | 16.1 | 15.9 | 52892-3095 | 30 |
| | | | 20.6 | 18.9 | 15.1 | 14.9 | -2895 | 28 |
| 24 | 29.4 | 25.4 | 19.6 | 17.9 | 14.1 | 13.9 | -2695 | 26 |
| | | | 18.6 | 16.9 | 13.1 | 12.9 | -2495 | 24 |
| | | | 17.6 | 15.9 | 12.1 | 11.9 | -2295 | 22 |
| | | | 16.6 | 14.9 | 11.1 | 10.9 | -2095 | 20 |
| | | | 16.1 | 14.4 | 10.6 | 10.4 | -1995 | 19 |
| | | | 15.6 | 13.9 | 10.1 | 9.9 | -1895 | 18 |
| | | | 15.1 | 13.4 | 9.6 | 9.4 | -1795 | 17 |
| | | | 14.6 | 12.9 | 9.1 | 8.9 | -1695 | 16 |
| | | | 14.1 | 12.4 | 8.6 | 8.4 | -1595 | 15 |
| | | | 13.6 | 11.9 | 8.1 | 7.9 | -1495 | 14 |
| 13.1 | 11.4 | 7.6 | 7.4 | -1395 | 13 | | | |
| 12.6 | 10.9 | 7.1 | 6.9 | -1295 | 12 | | | |
| 12.1 | 10.4 | 6.6 | 6.4 | -1195 | 11 | | | |
| 11.6 | 9.9 | 6.1 | 5.9 | -1095 | 10 | | | |
| 10.6 | 8.9 | 5.1 | 4.9 | 52892-0895 | 8 | | | |

キャリアテープ幅 CARRIER TAPE WIDTH F E (D) (C) (B) (A) MATERIAL NO. 極数 CIRCUIT

| | | | | | | |
|--|--|------------------------------|--|------------------------|--|--|
| REVISED E.C. NO. J2005-1026 DRAWN: SASAMOR 2004/10/06 CHECKED: TOJO 2004/10/07 APPR: NIKITA 2004/10/12 REVISION DESCRIPTION 10 UNDER ±0.2 10 OVER 30 UNDER ±0.25 30 OVER ±0.3 ANGULAR ±3 DRAFT WHERE APPLICABLE MUST REMAIN WITHIN DIMENSIONS | GENERAL TOLERANCES (UNLESS SPECIFIED) | DIMENSION STYLE MM ONLY | SCALE --- | DESIGN UNITS METRIC | THIRD ANGLE PROJECTION | |
| | DRAWN BY M. NABEI | DATE 2004/01/09 | TITLE EMBOSSED TAPE PACKAGE FOR 0.5 FPC CONN. -LEAD FREE- | | | |
| | CHECKED BY M. SASAO | DATE 2004/01/09 | APPROVED BY M. SASAO | DATE 2004/01/09 | MOLEX INCORPORATED | |
| | MATERIAL NO. 52892-***95 | DOCUMENT NO. SD-52892-041 | SHEET NO. 2 OF 2 | | THIS DRAWING CONTAINS INFORMATION THAT IS PROPRIETARY TO MOLEX INCORPORATED AND SHOULD NOT BE USED WITHOUT WRITTEN PERMISSION | |