

Excellent Integrated System Limited

Stocking Distributor

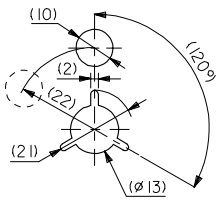
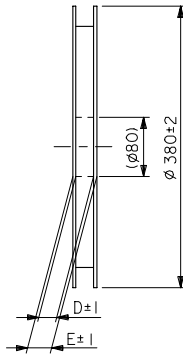
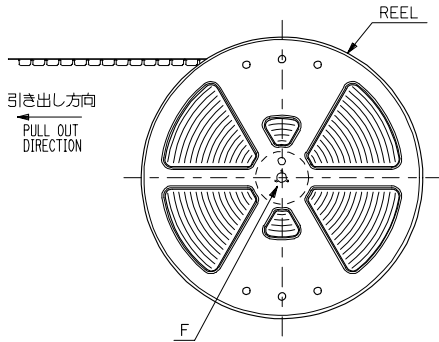
Click to view price, real time Inventory, Delivery & Lifecycle Information:

[Molex Connector Corporation](#)
[54548-2670](#)

For any questions, you can email us directly:

sales@integrated-circuit.com

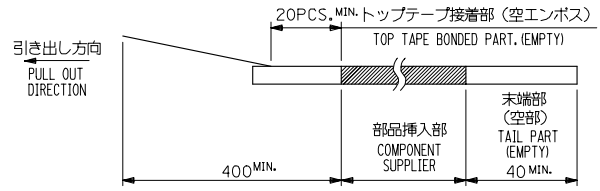
10 9 8 7 6 5 4 3 2 1



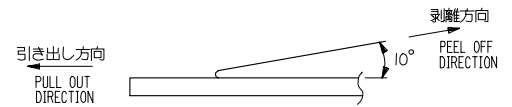
DETAIL F

NOTES

1. 製品詳細寸法については図面 SD-54548-037 を参照下さい。
RE. DETAILED DIMENSION, SEE SD-54548-037.
2. 梱包数量: 3000個/リール
NUMBER OF CONNECTORS : 3000PCS/REEL
3. リードテープ長さ LEAD TAPE LENGTH



4. トップテープの剥離強度: 0.1N ~ 1.3N { 10gf ~ 130gf }
(剥離方向は下図参照)
尚、本規格値は出荷時に適用。(但し、輸送時に剥離が発生しないこと。)
PEELING OFF FORCE OF TOP TAPE : 0.1N ~ 1.3N { 10gf ~ 130gf }
(PEELING DIRECTION AS SHOWN IN FOLLOWING FIG.)
THIS REQUIREMENT SHOULD BE APPLIED AT SHIPMENT.
PEEL OFF SHOULD NOT BE ALLOWED, DURING TRANSPORTATION.



5. 材料 (MATERIAL)
キャリアテープ (CARRIER TAPE): ポリプロピレン (POLYPROPYLENE)
トップテープ (TOPTAPE): PET, PE, PEF
リール (REEL): ポリスチレン (PS) <リサイクル材を含む>
POLYSTYRENE (PS) <RECYCLE MATERIAL CONTAINED>
6. 本製品は 54548-**-90 の鉛フリー品である。
THIS PRODUCT IS LEAD FREE OF 54548-**-90.

| | | | | | | | | | | |
|---|---|--|--------|----------------------------|------------|------------------------------|--------------|--|--|--|
| REVISED EC NO: J2005-2516 DRAWN BY: DR. WADA CHKD BY: CHIKKI TOYODA APPR. BY: NIKITA | DESCRIPTION 2005/02/28 2005/02/28 2005/03/07 | GENERAL TOLERANCES (UNLESS SPECIFIED) | | DIMENSION STYLE MM ONLY | | 54548-**-90 | | MODEL NO. | | |
| | | 10 UNDER | ± 0.2 | DRAWN BY | DATE | SCALE | DESIGN UNITS | THIRD ANGLE PROJECTION | | |
| | | 10 OVER 30 UNDER | ± 0.25 | Y. WADA | 2004/01/09 | --- | METRIC | EMBSTP PKG FOR 0.5 FPC CONN ZIF HSG ASSY -LEAD FREE- | | |
| | | 30 OVER | ± 0.3 | M. SASAO | 2004/01/09 | Molex | | MOLEX INCORPORATED | | |
| ANGULAR ± 3 ° | | DRAFT WHERE APPLICABLE MUST REMAIN WITHIN DIMENSIONS | | MATERIAL NO. SEE CHART | | DOCUMENT NO. SD-54548-038 | | SHEET NO. 1 OF 4 | | |
| SIZE A3 THIS DRAWING CONTAINS INFORMATION THAT IS PROPRIETARY TO MOLEX INCORPORATED AND SHOULD NOT BE USED WITHOUT WRITTEN PERMISSION | | | | | | | | | | |

10 9 8 7 6 5 4 3 2 1

F

E

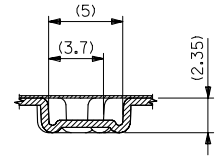
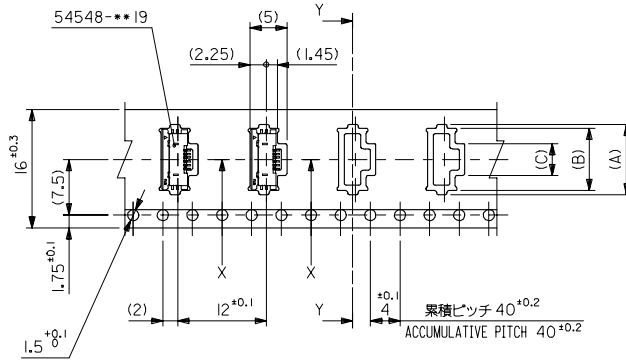
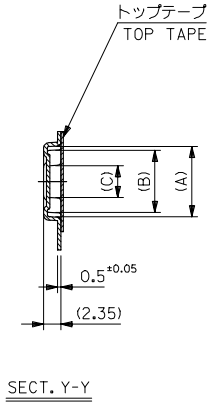
D

C

B

A

引き出し方向
PULL OUT DIRECTION

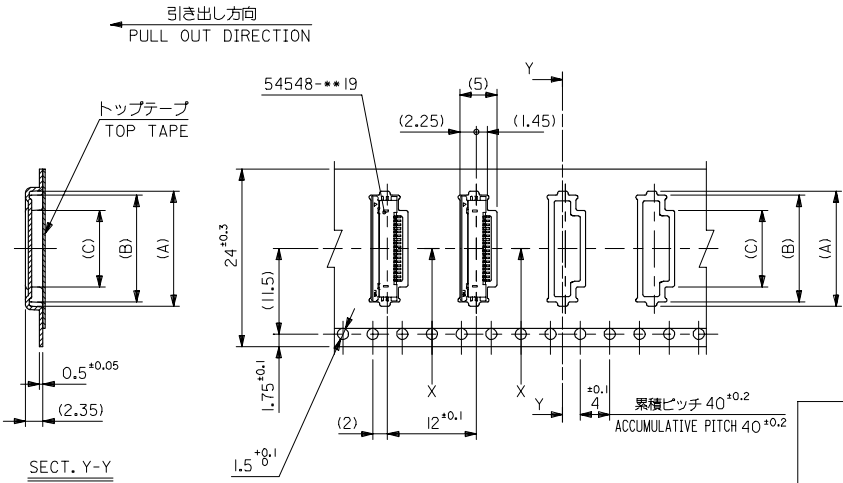


| | | | | | | | |
|--------------------------------|------|------|-----|-----|-----|----------------------|---------------|
| 16 | 21.4 | 17.4 | 4.3 | 8.4 | 9.5 | 54548-0670 | 6 |
| | | | 3.8 | 7.9 | 9 | 54548-0570 | 5 |
| キャリアテープ幅 CARRIER TAPE WIDTH | | | E | D | (C) | (B) | (A) |
| | | | | | | 製品番号 MATERIAL No. | 極数 CIRCUIT |
| | | | | | | 54548-***70 | MODEL NO. |

| | | | | | | |
|--|---------------------------------------|--------------|---------------------|--|--------------|------------------------|
| REVISED E.C. NO.: J2005-2516 DRAWN: M.WBEI 2005/02/28 CHECKED: Y.WADA 2005/02/28 APPR: NIKITA 2005/03/07 REVISION DESCRIPTION | GENERAL TOLERANCES (UNLESS SPECIFIED) | | DIMENSION STYLE | SCALE | DESIGN UNITS | THIRD ANGLE PROJECTION |
| | (10 UNDER ±0.2) | | MM ONLY | 2:1 | METRIC | |
| | (10 OVER 30 UNDER ±0.25) | | DATE | TITLE | | |
| | (30 OVER ±0.3) | | Y. WADA 2004/01/09 | EMBSTP PKG FOR 0.5 FPC CONN ZIF HSG ASSY -LEAD FREE- | | |
| | ANGULAR ±3 ° | | M. SASAO 2004/01/09 | MOLEX INCORPORATED | | |
| DRAFT WHERE APPLICABLE MUST REMAIN WITHIN DIMENSIONS | | MATERIAL NO. | SEE CHART | DOCUMENT NO. | SHEET NO. | |
| | | SIZE | A3 | SD-54548-038 | 2 OF 4 | |

10 9 8 7 6 5 4 3 2 1

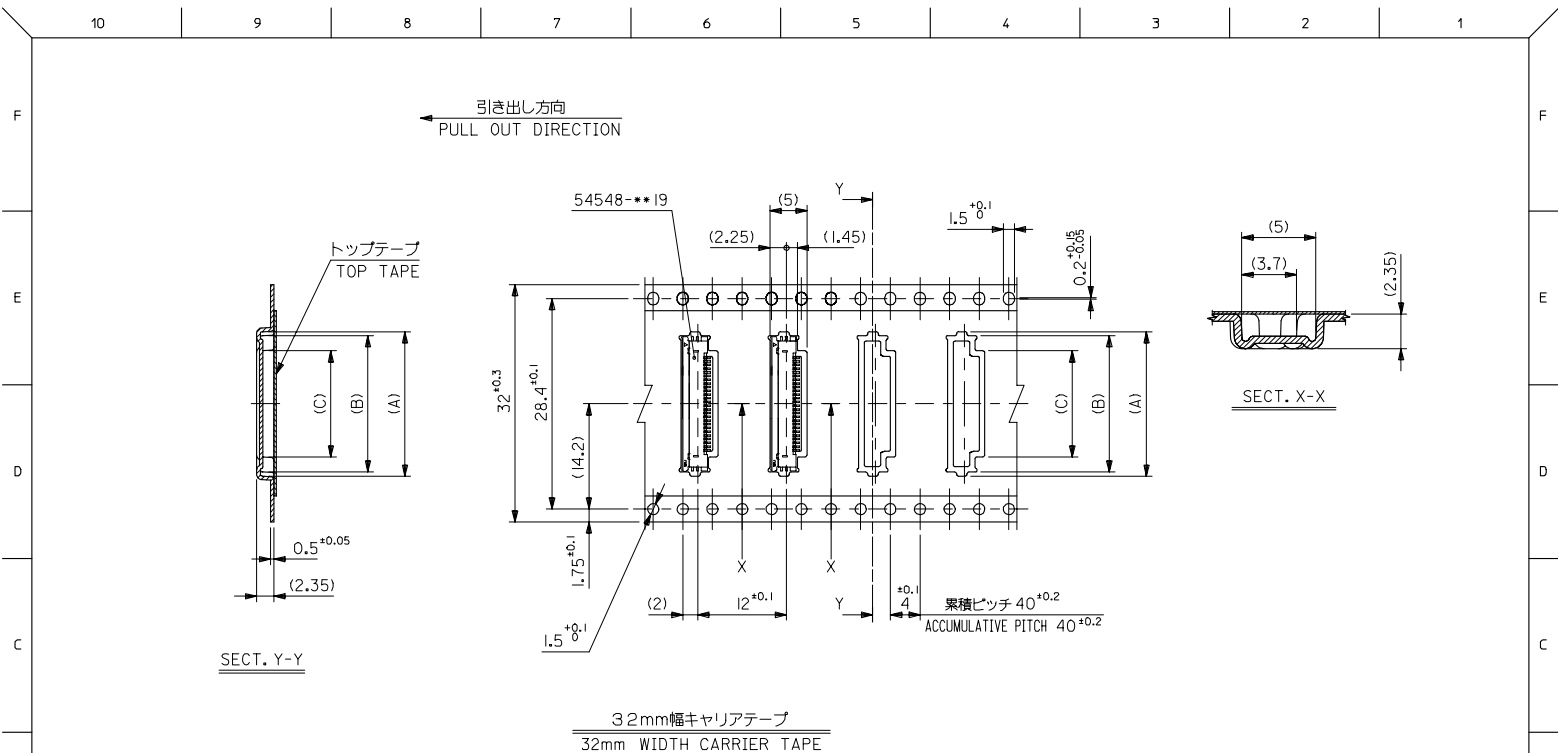
F
E
D
C
B
A



24mm幅キャリアテープ
24mm WIDTH CARRIER TAPE

| | | | | | | | | |
|--------------------------------|------|------|------------|------|------|------------|----------------------|---------------|
| 24 | 29.4 | 25.4 | 12.3 | 16.4 | 17.5 | 54548-2270 | 22 | |
| | | | 11.8 | 15.9 | 17 | 54548-2170 | 21 | |
| | | | 11.3 | 15.4 | 16.5 | 54548-2070 | 20 | |
| | | | 10.8 | 14.9 | 16 | 54548-1970 | 19 | |
| | | | 10.3 | 14.4 | 15.5 | 54548-1870 | 18 | |
| | | | 9.8 | 13.9 | 15 | 54548-1770 | 17 | |
| | | | 9.3 | 13.4 | 14.5 | 54548-1670 | 16 | |
| | | | 8.8 | 12.9 | 14 | 54548-1570 | 15 | |
| | | | 8.3 | 12.4 | 13.5 | 54548-1470 | 14 | |
| | | | 7.8 | 11.9 | 13 | 54548-1370 | 13 | |
| | | | 7.3 | 11.4 | 12.5 | 54548-1270 | 12 | |
| | | | 6.8 | 10.9 | 12 | 54548-1170 | 11 | |
| | | | 6.3 | 10.4 | 11.5 | 54548-1070 | 10 | |
| | | | 5.8 | 9.9 | 11 | 54548-0970 | 9 | |
| 5.3 | 9.4 | 10.5 | 54548-0870 | 8 | | | | |
| 4.8 | 8.9 | 10 | 54548-0770 | 7 | | | | |
| キャリアテープ幅 CARRIER TAPE WIDTH | | E | D | (C) | (B) | (A) | 製品番号 MATERIAL No. | 種数 CIRCUIT |

| | | | | | | | |
|--|---------------------------------------|-------|--|--------------------|---|------------------------------|--------------------------|
| REVISED E.C. NO: J2005-2516 DRAWN: MABEI 2005/02/28 CHECKED: OYODA 2005/02/28 APPROVED: NIKITA 2005/03/07 DESCRIPTION REVISION | GENERAL TOLERANCES (UNLESS SPECIFIED) | | DIMENSION STYLE MM ONLY | SCALE 2:1 | DESIGN UNITS METRIC | THIRD ANGLE PROJECTION | MODEL NO. 54548-***70 |
| | 10 UNDER | ±0.2 | DRAWN BY Y. WADA | DATE 2004/01/09 | TITLE EMBSTP PKG FOR 0.5 FPC CONN ZIF HSG ASSY -LEAD FREE- | | |
| | 10 OVER 30 UNDER | ±0.25 | CHECKED BY M. SASAO | DATE 2004/01/09 | Molex MOLEX INCORPORATED | | |
| | 30 OVER | ±0.3 | APPROVED BY M. SASAO | DATE 2004/01/09 | MATERIAL NO. SEE CHART | DOCUMENT NO. SD-54548-038 | SHEET NO. 3 OF 4 |
| | ANGULAR | ±3° | DRAFT WHERE APPLICABLE MUST REMAIN WITHIN DIMENSIONS | | SIZE A3 THIS DRAWING CONTAINS INFORMATION THAT IS PROPRIETARY TO MOLEX INCORPORATED AND SHOULD NOT BE USED WITHOUT WRITTEN PERMISSION | | |



32mm幅キャリアテープ
32mm WIDTH CARRIER TAPE

| | | | | | | | |
|--------------------------------|------|------|------|------|------|----------------------|---------------|
| 32 | 37.4 | 33.4 | 14.3 | 18.4 | 19.5 | 54548-2670 | 26 |
| キャリアテープ幅 CARRIER TAPE WIDTH | E | D | (C) | (B) | (A) | 製品番号 MATERIAL No. | 極数 CIRCUIT |
| | | | | | | 54548-***70 | MODEL NO. |

| | | | | | | | |
|---|---------------------------------------|---------------------------|----------------------------|--|--|------------------------|------------------------|
| REVISED E.C. NO. J2005-2516 DRAWN BY: DR. WADA CHECKED BY: M. SASAO APPROVED BY: M. SASAO DATE: 2005/02/28 DATE: 2005/02/28 DATE: 2005/03/07 APPR: NIKITA | GENERAL TOLERANCES (UNLESS SPECIFIED) | | DIMENSION STYLE MM ONLY | | SCALE 2:1 | DESIGN UNITS METRIC | THIRD ANGLE PROJECTION |
| | 10 UNDER | ± 0.2 | DRAWN BY Y. WADA | DATE 2004/01/09 | TITLE EMBSTP PKG FOR 0.5 FPC CONN ZIF HSG ASSY -LEAD FREE- MOLEX INCORPORATED DOCUMENT NO. SD-54548-038 SHEET NO. 4 OF 4 | | |
| | 10 OVER 30 UNDER | ± 0.25 | CHECKED BY M. SASAO | DATE 2004/01/09 | | | |
| | 30 OVER | ± 0.3 | APPROVED BY M. SASAO | DATE 2004/01/09 | | | |
| ANGULAR | ± 3 ° | MATERIAL NO. SEE CHART | | | | | |
| DRAFT WHERE APPLICABLE MUST REMAIN WITHIN DIMENSIONS | | SIZE A3 | | THIS DRAWING CONTAINS INFORMATION THAT IS PROPRIETARY TO MOLEX INCORPORATED AND SHOULD NOT BE USED WITHOUT WRITTEN PERMISSION | | | |