



Distributor of NorComp : Excellent Integrated System Limited

Datasheet of 68017W2203L201 - D-Sub Connector Receptacle, Female Sockets 17 (15 + 2 Power) Position Free Hanging (In-Line) Solder Cup

Contact us: sales@integrated-circuit.com Website: www.integrated-circuit.com

Excellent Integrated System Limited

Stocking Distributor

Click to view price, real time Inventory, Delivery & Lifecycle Information:

[NorComp](#)

[68017W2203L201](#)

For any questions, you can email us directly:

sales@integrated-circuit.com

DESCRIPTION: POWER / SIGNAL - SOLDER CUP - FEMALE

Contact us: sales@integrated-circuit.com Website: www.integrated-circuit.com

SPECIFICATIONS:

ELECTRICAL:

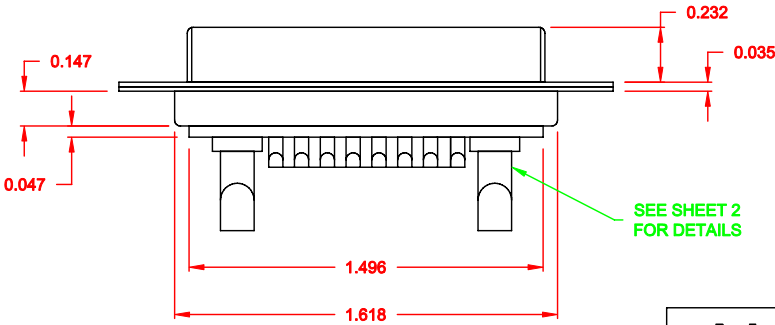
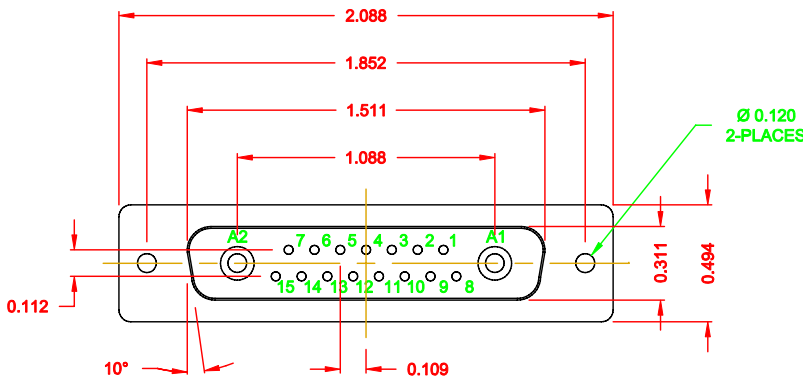
INSULATOR RESISTANCE: 5,000 MegOHMS Min.
 DIELECTRIC WITHSTANDING: 1,000VAC r.m.s.
 OPERATING TEMPERATURE: -55° C ~ +125° C
 CONTACT RESISTANCE: 30 Milliohms Max.
 POWER PINS: SEE PART No. BELOW
 SIGNAL PINS: 3 AMPS

MECHANICAL:

CONTACT INSERTION FORCE: 4.5 Kg Max.
 CONTACT SEPARATOR FORCE: 0.3Kg Min.

MATERIALS:

CONTACTS: BRASS
 INSULATOR: PBT UL94V-0 RATED, 230°C PROCESS TEMP.
 SHELL: STEEL
 FINISH: NICKEL
 SHELL: NICKEL



68017W2203LYY1

20 = 20 AMPS
 40 = 40 AMPS

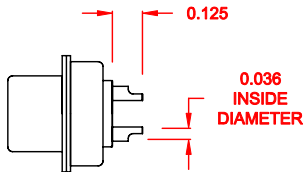
RoHS COMPLIANT

	THESE DRAWINGS AND SPECIFICATIONS ARE THE PROPERTY OF NorComp AND SHALL NOT BE REPRODUCED, COPIED OR USED AS THE BASIS FOR THE MANUFACTURE OR SALE OF APPARATUS WITHOUT WRITTEN PERMISSION.		DRAWN: C. SMITH	DATE: 09-13-06
			CHECKED:	DATE:
NorComp		SCALE: 1.5 = 1	SHEET 1 OF 2	REV 1
		DWG NO. 68017W2203LYY1		

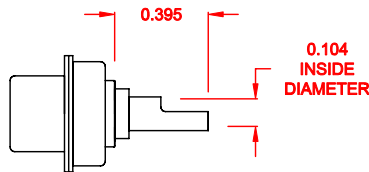
DESCRIPTION: 680 SERIES CONTACTS

Contact us: sales@integrated-circuit.com Website: www.integrated-circuit.com

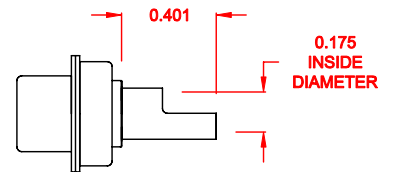
NOTE:
SIGNAL AND POWER CONTACTS
COME PRE-LOADED INTO INSULATORS



SIGNAL CONTACTS
ACCEPTS UP TO 20 AWG WIRE



20 AMP POWER CONTACTS
ACCEPTS UP TO 12 AWG WIRE



40 AMP POWER CONTACTS
ACCEPTS UP TO 8 AWG WIRE

RoHS COMPLIANT

	<small>THESE DRAWINGS AND SPECIFICATIONS ARE THE PROPERTY OF NorComp AND SHALL NOT BE REPRODUCED, COPIED OR USED AS THE BASIS FOR THE MANUFACTURE OR SALE OF APPARATUS WITHOUT WRITTEN PERMISSION.</small>		<small>DRAWN:</small> C. SMITH	<small>DATE:</small> 09-13-06
			<small>CHECKED:</small>	<small>DATE:</small>
<h1>NorComp</h1>	<small>SCALE:</small> 1.5 = 1	<small>SHEET</small> 2	<small>OF</small> 2	<small>REV</small> 1
	<small>DWG NO.</small> 68017W2203LYY1			