



Distributor of NorComp : Excellent Integrated System Limited

Datasheet of 6803W3103L201 - D-Sub Connector Plug, Male Pins 3 (Power) Position Free Hanging (In-Line) Solder Cup

Contact us: sales@integrated-circuit.com Website: www.integrated-circuit.com

Excellent Integrated System Limited

Stocking Distributor

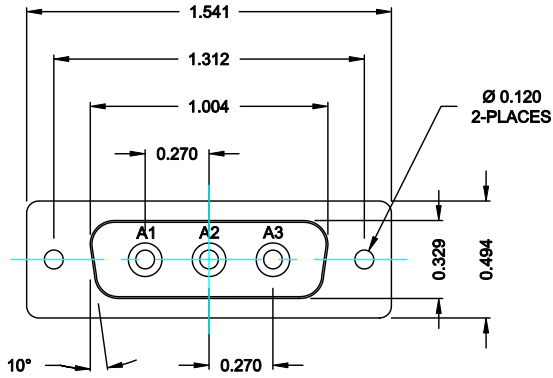
Click to view price, real time Inventory, Delivery & Lifecycle Information:

[NorComp](#)
[6803W3103L201](#)

For any questions, you can email us directly:

sales@integrated-circuit.com

DESCRIPTION: POWER - SOLDER CUP - MALE



SPECIFICATIONS:

ELECTRICAL:

INSULATOR RESISTANCE: 5,000 MegOHMS Min.
 DIELECTRIC WITHSTANDING: 1,000VAC r.m.s.
 OPERATING TEMPERATURE: -55° C ~ +125° C
 CONTACT RESISTANCE: 30 Milliohms Max.
 POWER PINS: SEE PART No. BELOW

MECHANICAL:

CONTACT INSERTION FORCE: 4.5 Kg Max.
 CONTACT SEPARATOR FORCE: 0.3Kg Min.

MATERIALS:

CONTACTS: BRASS
 INSULATOR: PBT UL94V-0 RATED,
 230°C PROCESS TEMP.
 SHELL: STEEL

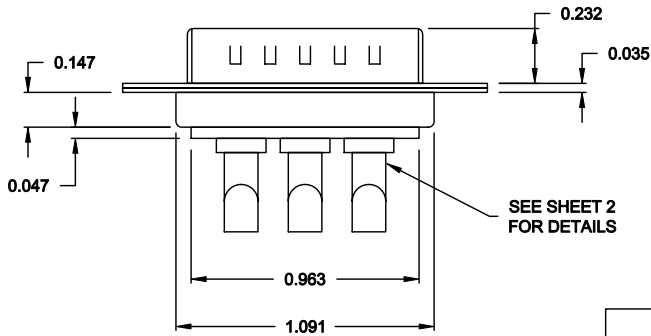
SHELL:

FINISH:


SHELL: NICKEL

6803W3103LYY1

20 = 20 AMPS
 40 = 40 AMPS

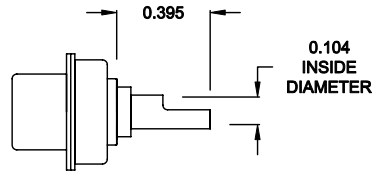


RoHS COMPLIANT

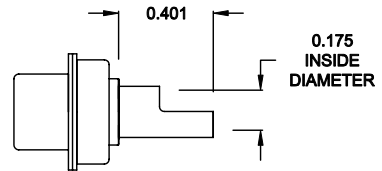
	THESE DRAWINGS AND SPECIFICATIONS ARE THE PROPERTY OF NorComp AND SHALL NOT BE REPRODUCED, COPIED OR USED AS THE BASIS FOR THE MANUFACTURE OF SALE OF APPARATUS WITHOUT WRITTEN PERMISSION.		DRAWN: C. SMITH	DATE: 09-11-06
			CHECKED: X	DATE: X
<h1>NorComp</h1>		SCALE: N.T.S.	SHEET 1	OF 2
		DWG NO. 6803W3103LYY1		

DESCRIPTION: 680 SERIES CONTACTS

**NOTE:
 POWER CONTACTS COME
 PRE-LOADED INTO INSULATORS**




**20 AMP POWER CONTACTS
 ACCEPTS UP TO 12 AWG WIRE**



**40 AMP POWER CONTACTS
 ACCEPTS UP TO 8 AWG WIRE**

RoHS COMPLIANT

	THESE DRAWINGS AND SPECIFICATIONS ARE THE PROPERTY OF NorComp AND SHALL NOT BE REPRODUCED, COPIED OR USED AS THE BASIS FOR THE MANUFACTURE OF SALE OF APPARATUS WITHOUT WRITTEN PERMISSION.		DRAWN: C. SMITH	DATE: 09-11-06
			CHECKED: X	DATE: X
NorComp	SCALE: N.T.S.	SHEET 2	OF 2	REV 0
	DWG NO. 6803W3103LYY1			