



Distributor of NorComp : Excellent Integrated System Limited

Datasheet of 6817W2203L001 - D-Sub Connector Receptacle, Female Sockets 7 (5 + 2 Power) Position Through Hole Solder

Contact us: sales@integrated-circuit.com Website: www.integrated-circuit.com

Excellent Integrated System Limited

Stocking Distributor

Click to view price, real time Inventory, Delivery & Lifecycle Information:

[NorComp](#)

[6817W2203L001](#)

For any questions, you can email us directly:

sales@integrated-circuit.com

DESCRIPTION: POWER / SIGNAL - VERTICAL BOARD - FEMALE

SPECIFICATIONS:

ELECTRICAL:

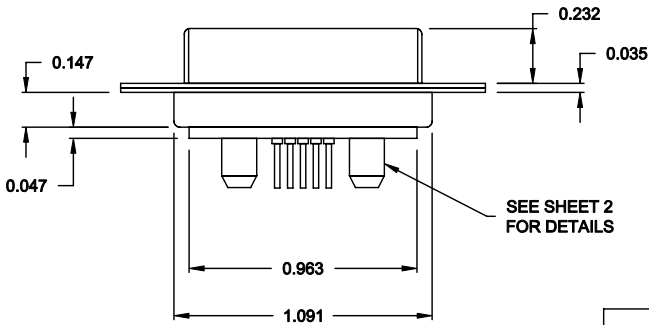
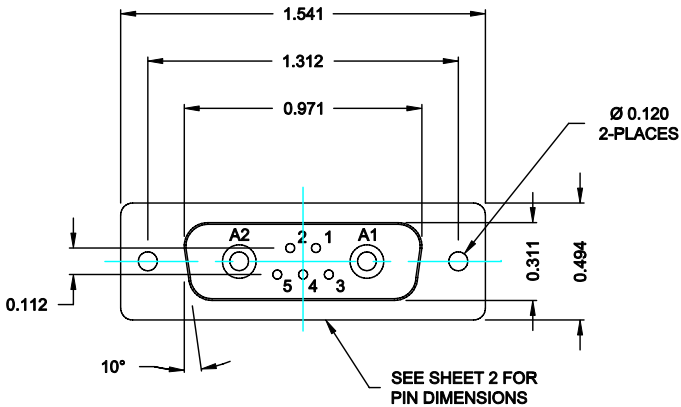
INSULATOR RESISTANCE: 5,000 MegOHMS Min.
 DIELECTRIC WITHSTANDING: 1,000VAC r.m.s.
 OPERATING TEMPERATURE: -55° C ~ +125° C
 CONTACT RESISTANCE: 30 Milliohms Max.
 POWER PINS: SEE PART No. BELOW
 SIGNAL PINS: 3 AMPS

MECHANICAL:

CONTACT INSERTION FORCE: 4.5 Kg Max.
 CONTACT SEPARATOR FORCE: 0.3Kg Min.

MATERIALS:


CONTACTS: BRASS
 INSULATOR: PBT UL94V-0 RATED, 230°C PROCESS TEMP.
 SHELL: STEEL
 FINISH: NICKEL
 SHELL: NICKEL



6817W2203L001

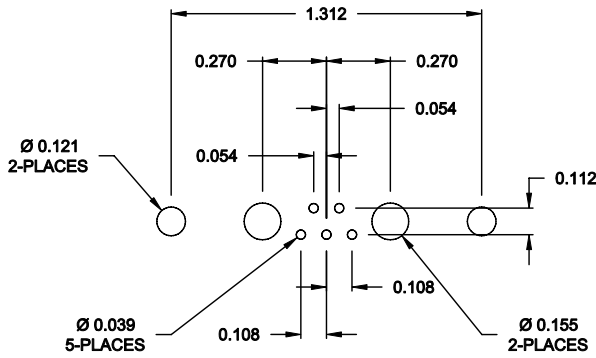
00 = 20 / 40 AMPS

RoHS COMPLIANT

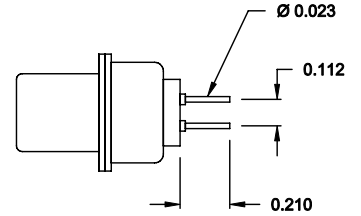
| | | | | |
|---|---|------------------------------|------------------------|-----------------------|
|  | THESE DRAWINGS AND SPECIFICATIONS ARE THE PROPERTY OF NorComp AND SHALL NOT BE REPRODUCED, COPIED OR USED AS THE BASIS FOR THE MANUFACTURE OF SALE OF APPARATUS WITHOUT WRITTEN PERMISSION. | | DRAWN: C. SMITH | DATE: 09-19-06 |
| | | | CHECKED: X | DATE: X |
| | SCALE: N.T.S. | SHEET 1 OF 2 | REV 0 | |
| NorComp | | DWG NO. 6817W2203L001 | | |

DESCRIPTION: 681 SERIES CONTACTS

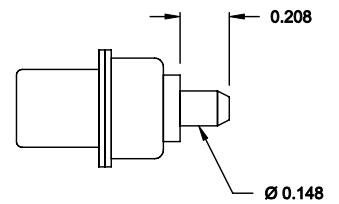
**NOTE:
SIGNAL AND POWER CONTACTS
COME PRE-LOADED INTO INSULATORS**



RECOMMENDED PCB LAYOUT



SIGNAL CONTACTS



POWER CONTACTS

RoHS COMPLIANT

| | | | | |
|------------------|---|-------------------|---------------------------|--------------------------|
| | THESE DRAWINGS AND SPECIFICATIONS ARE THE PROPERTY OF NorComp AND SHALL NOT BE REPRODUCED, COPIED OR USED AS THE BASIS FOR THE MANUFACTURE OF SALE OF APPARATUS WITHOUT WRITTEN PERMISSION. | | DRAWN: C. SMITH | DATE: 09-19-06 |
| | | | CHECKED: X | DATE: X |
| <h1>NorComp</h1> | SCALE: N.T.S. | SHEET 2 | OF 2 | REV 0 |
| | DWG NO. 6817W2203L001 | | | |