

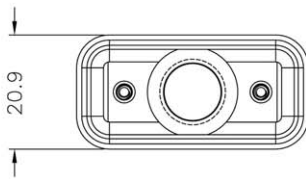
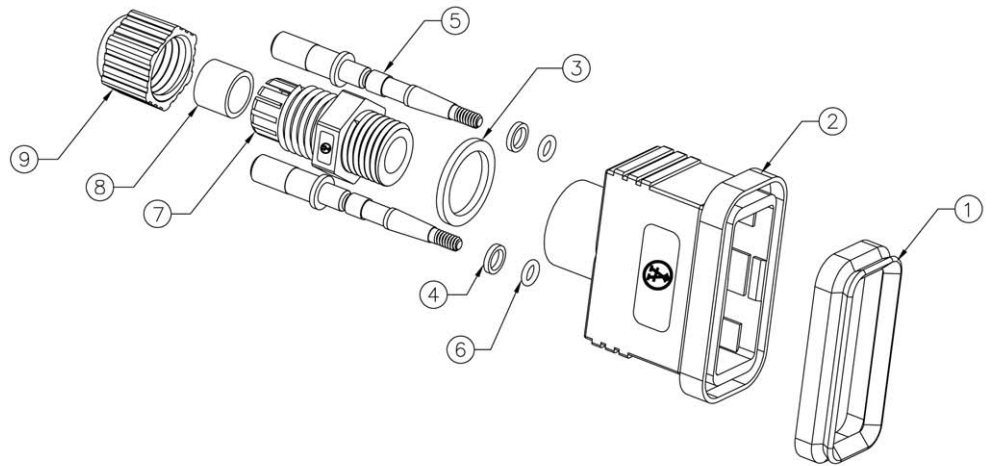
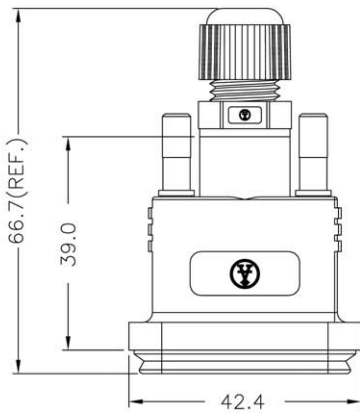
Excellent Integrated System Limited

Stocking Distributor

Click to view price, real time Inventory, Delivery & Lifecycle Information:

[ASSMANN WSW Components](#)
[A-HOOD-09/15](#)

For any questions, you can email us directly:
sales@integrated-circuit.com



Note:

- * Waterproof Rate: IP67
- * Housing: Black,ABS
- * Seals for Cable OD: $\phi 3.5\text{mm} \sim \phi 7.0\text{mm}$
- * One Set Unassembled in One PE Bag



ITEM NO
 A-HOOD-09_15-R

TITLE
 D-SUB Hood, 9 pin and HD 15 pin

ASSMANN
 Electronics, Inc.

1840 W. Drake Drive, Suite 101 - Tempe, AZ 85283
 Toll Free: 1-877-277-6266 Email: info@usa-assmann.com

THIS DRAWING IS UNPUBLISHED
 © Copyright 2008 by Assmann Electronic Components
 All International Rights Reserved