

Excellent Integrated System Limited

Stocking Distributor

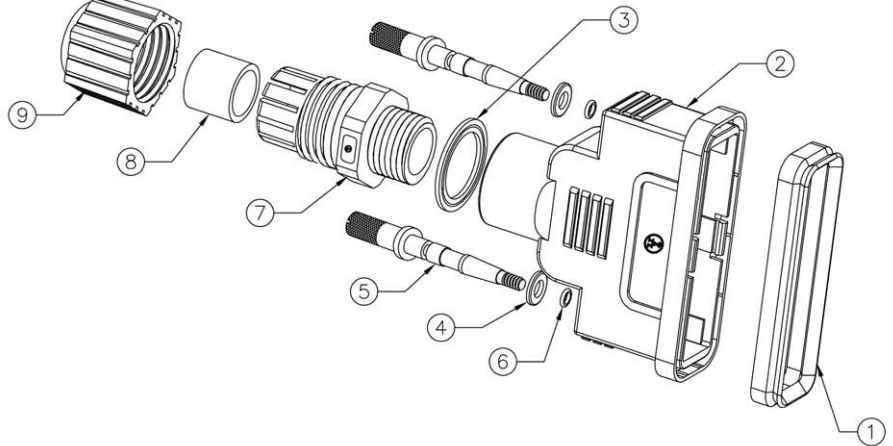
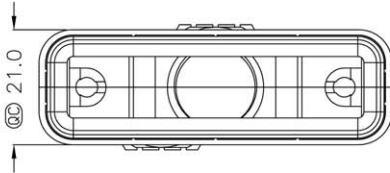
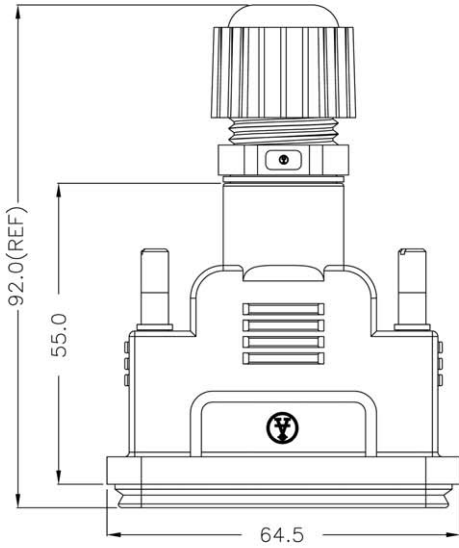
Click to view price, real time Inventory, Delivery & Lifecycle Information:

[ASSMANN WSW Components](#)

[A-HOOD-25/44](#)

For any questions, you can email us directly:

sales@integrated-circuit.com



Note:

- * Waterproof Rate : IP67
- * Housing: Black,ABS
- * Seals for Cable OD: $\varnothing 6.0\text{mm} \sim \varnothing 10.0\text{mm}$
- * One Set Unassembled in One Zipper Bag



<i>ITEM NO</i> A-HOOD-25_44-R
<i>TITLE</i> D-SUB Hood, 25 pin and HD 44 pin

ASSMANN
 Electronics, Inc.

1840 W. Drake Drive, Suite 101 - Tempe, AZ 85283
 Toll Free: 1-877-277-6266 Email: info@usa-assmann.com

THIS DRAWING IS UNPUBLISHED
 © Copyright 2008 by Assmann Electronic Components
 All International Rights Reserved