

## Excellent Integrated System Limited

Stocking Distributor

Click to view price, real time Inventory, Delivery & Lifecycle Information:

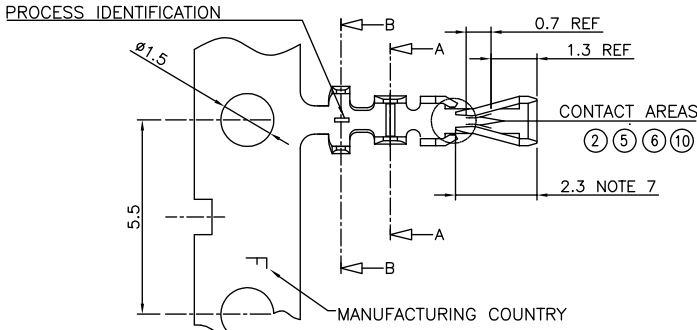
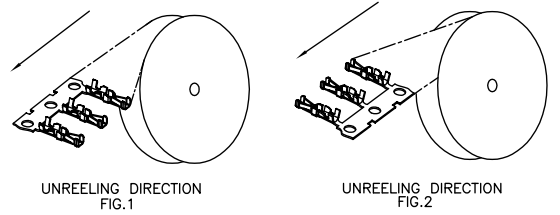
[FCI](#)

[77138-101LF](#)

For any questions, you can email us directly:

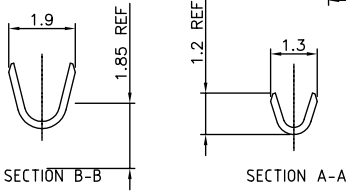
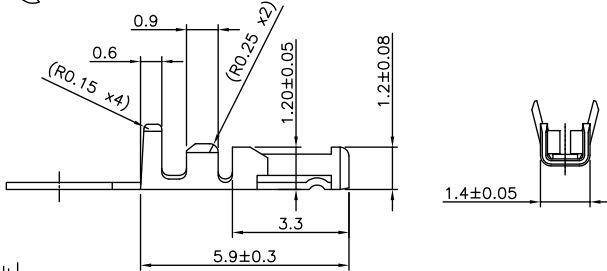
[sales@integrated-circuit.com](mailto:sales@integrated-circuit.com)

PRODUCT NO.	FINISH	REELING DIRECTION
77138-001LF	NOTE 2	FIG.1
77138-101LF	NOTE 6	FIG.1
77138-201LF	NOTE 5	FIG.1
77138-001RELF	NOTE 2	FIG.2
77138-101RELF	NOTE 6	FIG.2
77138-T01LF	NOTE 10	FIG.1



**NOTES**

- 1 MATERIAL : PHOSPHOR BRONZE
- ② FINISH : SELECTIVE GOLD PLATING 0.2μm MIN (CONTACT AREA) OVER 1.27μm Ni MIN
- 3 WIRE RANGE : AWG 26-30
- 4 GENERAL TOLERANCE : ±0.25
- ⑤ FINISH : SELECTIVE GOLD PLATING 0.5μm MIN (CONTACT AREA) OVER 1.27μm Ni MIN
- ⑥ FINISH : SELECTIVE GOLD PLATING 0.76μm MIN (CONTACT AREA) OVER 1.27μm Ni MIN
- 7 REMAINDER : - GOLD FLASH FOR ② ⑤ ⑥  
- 2.0-5.0μm TIN FOR ⑩  
α- UNDERPLATING 1.27μm Ni MIN ALL OVER
- 8 THIS PRODUCT MEETS EUROPEAN UNION DIRECTIVES AND OTHER COUNTRY REGULATIONS AS DESCRIBED IN GS-47-0004
- 9 CRIMP SPECIFICATION AS PER GS-20-058
- ⑩ FINISH : 2.0-5.0μm TIN ON CONTACT AREA. UNDERPLATING 1.27μm Ni MIN ALL OVER
- 11 PRODUCT SPECIFICATION : GS-12-415



mat'l. code	surface	tolerance	projection	product family
SEE NOTES	ISO 1302 ✓	ISO 406 ISO 1101	mm	MINITEK
ltr	ech	no	dr	date
S	F-22846	AMA	15.12.21	
	angles	linear	mm	title
		.x ±0.25		CTW MINITEK
		.xx ±0.15	scale 5:1	AWG 26-30
		.xxx ±0.05		sheet 1 of 1 size
L	F08-0174	JCO	08.05.20	
M	F12-0004	JCO	12.01.04	dr
N	F12-0088	JCO	12.07.23	engr
P	B-19188	LMU	14.10.24	chr
R	F-21704	AMA	15.08.18	appd
	J.CO	08.05.05		
sheet	revision			
index	sheet			

form: A3

PDS: Rev :S

STATUS:Released Printed: Jan 04, 2016

FCI  
FCIconnect.com  
Copyright FCI