

Excellent Integrated System Limited

Stocking Distributor

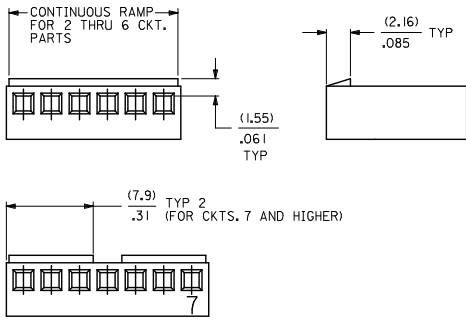
Click to view price, real time Inventory, Delivery & Lifecycle Information:

[Molex Connector Corporation](#)
[22-01-2111](#)

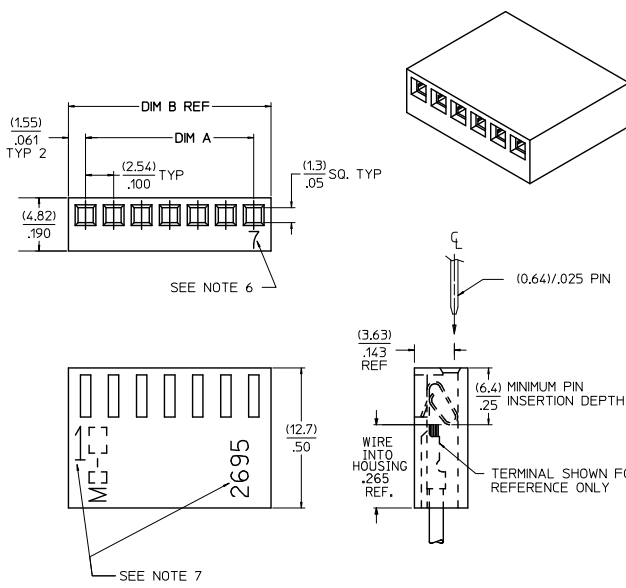
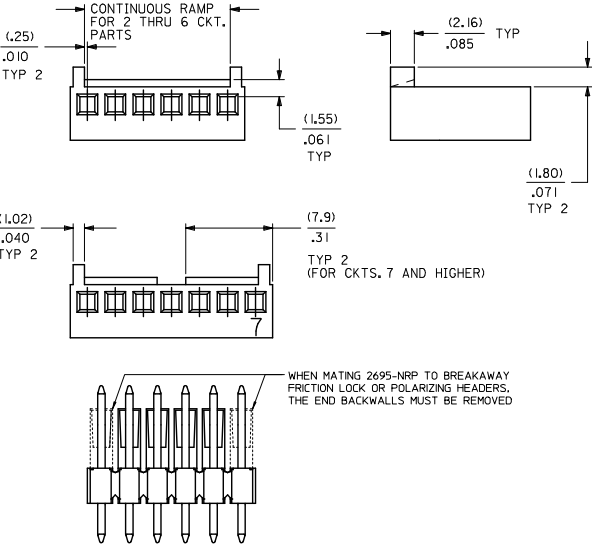
For any questions, you can email us directly:

sales@integrated-circuit.com

2695-NR



2695-NRP



2695 - N * *
VOID LOCATION SEE CHART

NO. OF CIRCUITS	RAMP	POLARIZING RIBS	MAT'L
BLANK	NO	NO	NOTE 1A
R	YES	NO	NOTE 1A
RP	YES	YES	NOTE 1A
RP-BK	YES	YES	NOTE 1B

- NOTES:
1. MATERIAL: A - NYLON, UL94V-0, COLOR: WHITE
B - NYLON, UL94V-0, COLOR: BLACK
 2. FINISH: SEE TERMINAL DRAWING
 3. THIS HOUSING CONFORMS TO MOLEX PRODUCT SPECIFICATION PS-10-07.
 4. PACKAGING: PER PK-2695-001
 5. HOUSING TO BE USED WITH CRIMP TERMINAL SERIES 2759, 6459, AND 41572. PARTS MADE AFTER 4/19/2012 WILL ALSO ACCEPT 4809 AND 8088 SERIES TERMINALS. FOR USE WITH 22-30 GAUGE WIRE WITH (1.57)/.062 DIAMETER MAXIMUM WIRE INSULATION.
 6. LAST CIRCUIT NUMBER NOT PRESENT ON 2-6 CKT AND MAY OR MAY NOT BE PRESENT ON 7-16 CKT SIZES.
 7. CIRCUIT NUMBER *1* AND ENGINEERING NUMBER TO APPEAR ON PARTS 3 CKTS. AND HIGHER.
 8. THIS PART CONFORMS TO CLASS B REQUIREMENTS OF COSMETIC SPECIFICATION PS-45499-002.

NO. OF CKT'S.	DIM. A	DIM. B
2	(2.54±0.05)	(5.64)
	.100±0.02	.222
3	(5.08±0.05)	(8.18)
	.200±0.02	.322
4	(7.62±0.08)	(10.72)
	.300±0.03	.422
5	(10.16±0.08)	(13.26)
	.400±0.03	.522
6	(12.70±0.10)	(15.80)
	.500±0.04	.622
7	(15.24±0.10)	(18.34)
	.600±0.04	.722
8	(17.78±0.13)	(20.88)
	.700±0.05	.822
9	(20.32±0.13)	(23.42)
	.800±0.05	.922
10	(22.86±0.13)	(25.96)
	.900±0.05	1.022
11	(25.40±0.15)	(28.50)
	1.000±0.06	1.122
12	(27.94±0.15)	(31.04)
	1.100±0.06	1.222
13	(30.48±0.18)	(33.58)
	1.200±0.07	1.322
14	(33.02±0.18)	(36.12)
	1.300±0.07	1.422
15	(35.56±0.20)	(38.66)
	1.400±0.08	1.522
16	(38.10±0.20)	(41.20)
	1.500±0.08	1.622

QUALITY SYMBOLS	GENERAL TOLERANCES (UNLESS SPECIFIED)	DIMENSION STYLE		SCALE	DESIGN UNITS	THIRD ANGLE PROJECTION
		MM/IN	MM/IN			
▽=0	4 PLACES ±.005	mm	INCH	6:1	INCH	
▽=0	3 PLACES ±.005	mm	INCH	6:1	INCH	
▽=0	2 PLACES ±0.13	mm	INCH	6:1	INCH	
▽=0	1 PLACE ±0.25	mm	INCH	6:1	INCH	
▽=0	0 PLACE	mm	INCH	6:1	INCH	

ADD HEADER VIEW
REC. NO. LCP/2014-127
DRAWN BY PEREZ 2017/01/01
CHKD BY HANSEN 2017/01/02
APPROVED BY LENZ 2017/01/02

GENERAL TOLERANCES (UNLESS SPECIFIED)
4 PLACES ±.005
3 PLACES ±.005
2 PLACES ±0.13
1 PLACE ±0.25
0 PLACE

DIMENSION STYLE
MM/IN

SCALE
6:1

DESIGN UNITS
INCH

THIRD ANGLE PROJECTION

TITLE
(2.54)/.100 HOUSING FOR KK CRIMP TYPE TERMINALS
2695 SERIES DRAWING

MOLEX

DOCUMENT NO. SD-2695

SHEET NO. 1 OF 2

DRAFT WHERE APPLICABLE MUST REMAIN WITHIN DIMENSIONS

SEE CHART

THIS DRAWING CONTAINS INFORMATION THAT IS PROPRIETARY TO MOLEX INCORPORATED AND SHOULD NOT BE USED WITHOUT WRITTEN PERMISSION

13 12 11 10 9 8 7 6 5 4 3 2 1

2695-N

PART NO.	ENG NO.	VOID
22-01-2021	2695-2	
22-01-2031	2695-3	
22-01-2041	2695-4	
22-01-2051	2695-5	
22-01-2061	2695-6	
22-01-2071	2695-7	
22-01-2081	2695-8	
22-01-2091	2695-9	
22-01-2101	2695-10	
22-01-2111	2695-11	
22-01-2121	2695-12	
22-01-2131	2695-13	
22-01-2141	2695-14	
22-01-2151	2695-15	
22-01-2161	2695-16	

2695-NR

PART NO.	ENG NO.	VOID
22-01-2027	2695-2R	
22-01-2037	2695-3R	
22-01-2047	2695-4R	
22-01-2057	2695-5R	
22-01-2067	2695-6R	
22-01-2077	2695-7R	
22-01-2087	2695-8R	
22-01-2097	2695-9R	
22-01-2107	2695-10R	
22-01-2117	2695-11R	
22-01-2127	2695-12R	
22-01-2137	2695-13R	
22-01-2147	2695-14R	
22-01-2157	2695-15R	
22-01-2167	2695-16R	

2695-NRP

PART NO.	ENG NO.	VOID
22-01-3027	2695-2RP	
22-01-3037	2695-3RP	
22-01-3047	2695-4RP	
22-01-3057	2695-5RP	
22-01-3067	2695-6RP	
22-01-3077	2695-7RP	
22-01-3087	2695-8RP	
22-01-3097	2695-9RP	
22-01-3107	2695-10RP	
22-01-3117	2695-11RP	
22-01-3127	2695-12RP	
22-01-3137	2695-13RP	
22-01-3147	2695-14RP	
22-01-3157	2695-15RP	
22-01-3167	2695-16RP	

2695-NRP-BK

PART NO.	ENG NO.	VOID
50-29-1557	2695-2RP-BK	
50-29-1558	2695-3RP-BK	
50-29-1559	2695-4RP-BK	
50-29-1560	2695-5RP-BK	
50-29-1561	2695-6RP-BK	
50-29-1562	2695-7RP-BK	
50-29-1563	2695-8RP-BK	
50-29-1564	2695-9RP-BK	
50-29-1565	2695-10RP-BK	
50-29-1566	2695-11RP-BK	
50-29-1567	2695-12RP-BK	
50-29-1568	2695-13RP-BK	
50-29-1569	2695-14RP-BK	
50-29-1570	2695-15RP-BK	
50-29-1571	2695-16RP-BK	

SEE SHEET 1 EC NO: UCP2011-2220 DRAWN BY: DRANKIPPER 2/11/02/ZZ CHECKED BY: CHIKO BANIKSON 2/11/02/ZZ APPROVED BY: APPEL SMITH 2/17/04/05	QUALITY SYMBOLS ∇=0 ∇=0 ∇=0	GENERAL TOLERANCES (UNLESS SPECIFIED) mm INCH		DIMENSION STYLE MM/IN		SCALE ---	DESIGN UNITS INCH	THIRD ANGLE PROJECTION
		4 PLACES ± --- ± ---	PEREZ-ARGUET 1988/02/25	TITLE (2.54)/.100 HOUSING FOR KK CRIMP TYPE TERMINALS 2695 SERIES DRAWING				
		3 PLACES ± --- ± ---	CHECKED BY: PATEL 1988/02/25	MOLEX INCORPORATED				
		2 PLACES ± --- ± ---	APPROVED BY: LENZ 1988/02/25	MATERIAL NO. SEE CHART DOCUMENT NO. SD-2695 SHEET NO. 2 OF 2				
1 PLACE ± --- ± ---	ANGULAR ±1/2°	DRAFT WHERE APPLICABLE MUST REMAIN WITHIN DIMENSIONS		THIS DRAWING CONTAINS INFORMATION THAT IS PROPRIETARY TO MOLEX INCORPORATED AND SHOULD NOT BE USED WITHOUT WRITTEN PERMISSION				

1b_frame_C_P_ME_T 12 11 10 9 8 7 6 5 4 3 2 1 Rev. F 2009/06/18