

Excellent Integrated System Limited

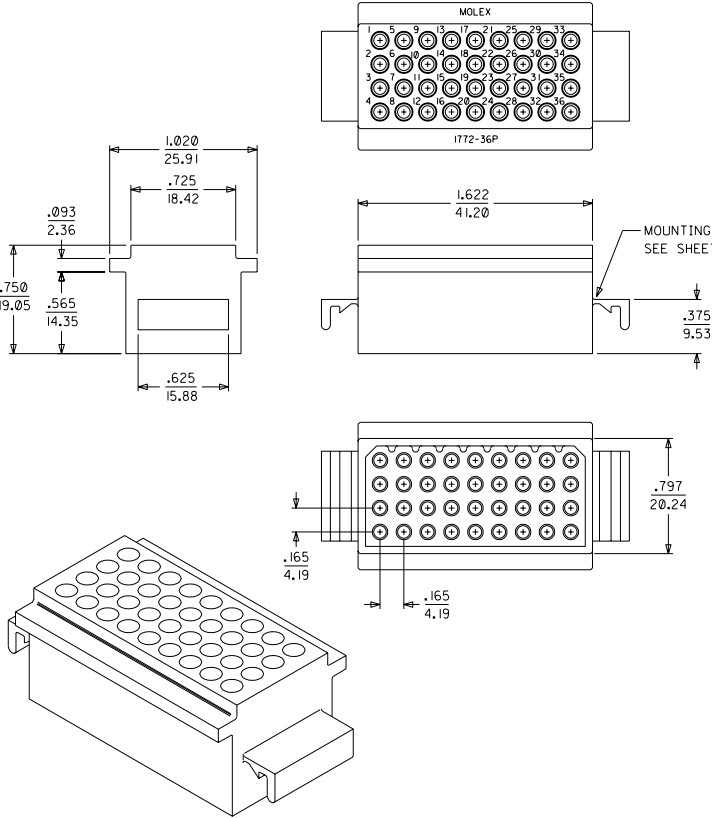
Stocking Distributor

Click to view price, real time Inventory, Delivery & Lifecycle Information:

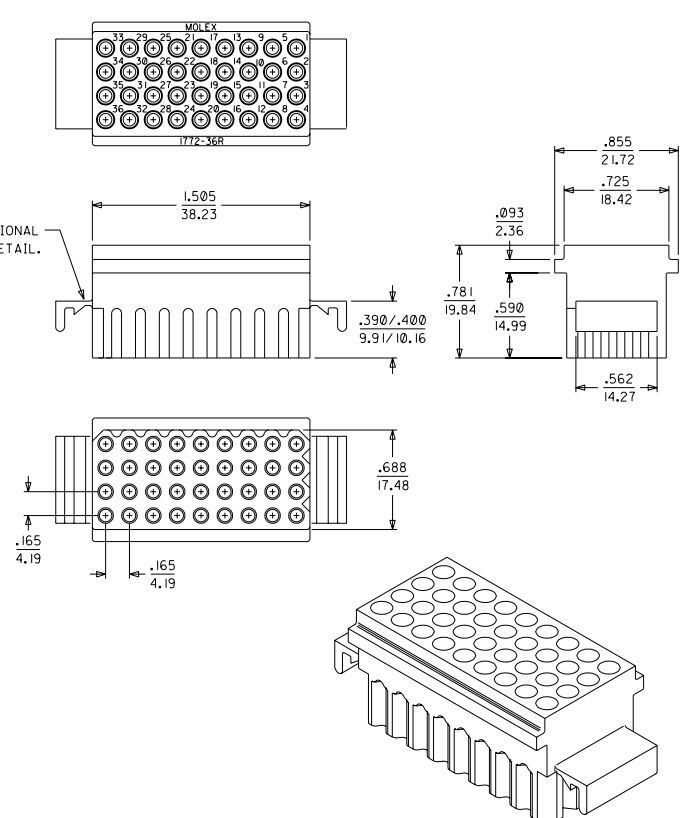
[Molex Connector Corporation](#)
[0003062361](#)

For any questions, you can email us directly:

sales@integrated-circuit.com



PLUG



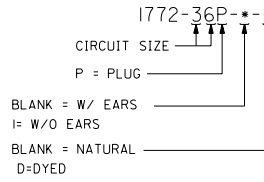
RECEPTACLE

CORRECT LEGENDS ADD PANEL DIMS EC NO: LCP2004-0895 DRAWN: ELHAG 11/10/03 CHN: ELHAG 11/10/03 APPR: FSMITH 11/11/03	DESCRIPTION MAJOR CRITICAL	QUALITY SYMBOLS MAJOR CRITICAL	GENERAL TOLERANCES: (UNLESS SPECIFIED) mm INCH 4 PLACES ±0.--- ±.005 3 PLACES ±0.13 ±.01 2 PLACES ±0.25 ±.--- 1 PLACE ±0. ±. ANGULAR: ± .5°	SCALE 2 : 1 DESIGN UNITS <input type="checkbox"/> mm <input checked="" type="checkbox"/> INCH	DRAWN BY & DATE JBS 06/10/03 CHECKED BY & DATE BW 06/13/03 APPROVED BY & DATE BW 06/16/03	THIRD ANGLE PROJECTION <input checked="" type="checkbox"/> THIRD ANGLE <input type="checkbox"/> FIRST ANGLE	DIMENSIONS: <input type="checkbox"/> mm <input checked="" type="checkbox"/> INCH <input type="checkbox"/> mm ONLY	SHEET NO. 1 of 2
	REV							
	C							

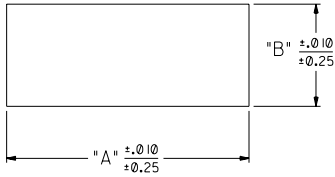
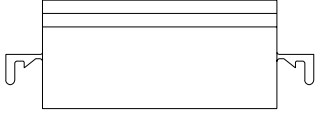
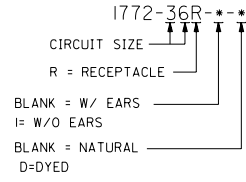
PLUG	
PART NO.	ENG. NO.
03-06-2361	1772-36P
03-06-2362	1772-36P-I
03-06-7361	1772-36P-D
03-06-7362	1772-36P-I-D

RECEPTACLE	
PART NO.	ENG. NO.
03-06-1361	1772-36R
03-06-1362	1772-36R-I
03-06-6361	1772-36R-D
03-06-6362	1772-36R-I-D

PLUG LEGEND:



RECEPTACLE LEGEND:



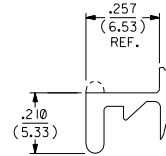
HOUSING	DIM. "A"	DIM. "B"
PLUG	1.795/(45.59)	.825/(20.96)
RECEPTACLE	1.677/(42.60)	.707/(17.96)

RECOMMENDED PANEL OPENING

* MAX. PANEL THICKNESS IS .060.

NOTES:

1. MATERIAL: PA 66, UL 94V-2; COLOR: NATURAL.
2. FINISH: NONE.
3. PRODUCT SPECIFICATION: NONE.
4. PACKAGING SPECIFICATION: NONE.
5. FOR USE WITH .062 SERIES TERMINALS.



MOUNTING EAR DETAIL

(SCALE 4:1)

DIMENSIONS SHOWN (METRIC) INCH UNLESS OTHERWISE SPECIFIED TOLERANCES: ANGULAR ± .005 (0)		▽ = 0	▽ = 2	REVISE ONLY ON CAD SYSTEM
1 PLACE ± .005	---	TITLE .062/(1.57) HOUSING, PLUG AND RECEPTACLE, 36 CIRCUIT		
2 PLACE ± .01	± 0.13	MOLEX INCORPORATED SHEET NO. 2 DATE 06/10/03		
3 PLACE ---	± 0.25	SEE CHART SD-1772-36 * - * - *		
DRAWING DIMENSIONS MUST REMAIN WITHIN DIMENSIONS		MATERIAL: PA 66, UL 94V-2; COLOR: NATURAL		
DRG: JBS	CHK'D: BW	FILE NAME: SD1772-36		
APP'D: BW	SCALE: 2 : 1	THIS DRAWING CONTAINS INFORMATION THAT IS PROPRIETARY TO MOLEX INC. AND SHOULD NOT BE USED WITHOUT WRITTEN PERMISSION. (CP)		
LTR. REVISIONS	LTR. REVISIONS	DRAWN BY: JBS		