

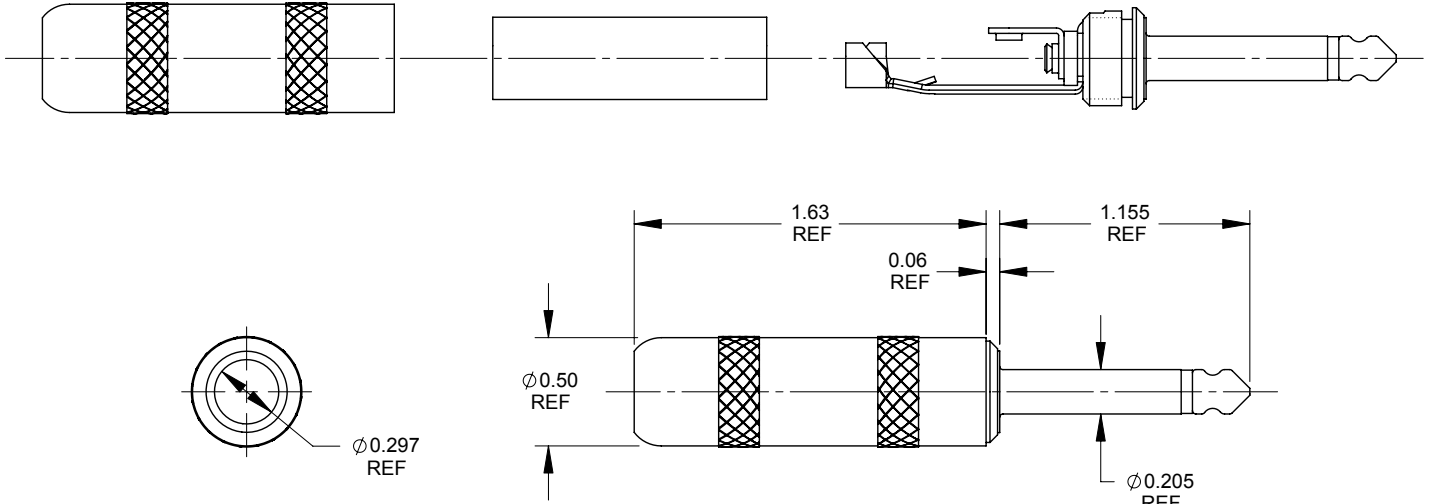
## Excellent Integrated System Limited

Stocking Distributor

Click to view price, real time Inventory, Delivery & Lifecycle Information:

[Switchcraft Inc.](#)  
[S280](#)

For any questions, you can email us directly:  
[sales@integrated-circuit.com](mailto:sales@integrated-circuit.com)



**NOTES:**

1. HANDLE AND INSULATOR TUBE SHIPPED ASSEMBLED.
2. MATERIALS:  
TIP & PLUG BODY - COPPER ALLOY, NICKEL PLATED  
TERMINALS - COPPER ALLOY, TIN PLATED  
HANDLE - COPPER ALLOY, NICKEL PLATED
3. THIS PRODUCT IS RoHS COMPLIANT.

**CUSTOMER DRAWING**

					THIS DRAWING DESCRIBES A DESIGN CONSIDERED PROPRIETARY IN NATURE, DEVELOPED AND MANUFACTURED BY SWITCHCRAFT INC. AND IS RELEASED ON A CONFIDENTIAL BASIS FOR IDENTIFICATION PURPOSES ONLY.							
UNLESS OTHERWISE SPECIFIED  1. ALL DIMENSIONS IN INCHES - TWO PLACE DECIMALS ±0.02 - THREE PLACE DECIMALS ±0.005					SIZE *	WIDTH *	MULT *	LBS/M *	TEMPER *			
					FINISH *				MATERIAL *			
					SPEC No. *				SPEC No. *			
					FIRST USED ON *				SCALE 1.5:1			
0A	FIRST DRAWN	3-26-07	TJK	TJK	DATE DRAWN	BY	CHKD	APVD				
REV	ECO NUMBER	DATE	BY	APVD	3-26-07	TJK	TJK	3-26-07				
REVISIONS					NAME $\phi$ 0.205 - 2 CONDUCTOR COMMERCIAL PHONE PLUG, RoHS							
DO NOT SCALE DRAWING					PART No. S280				REV 0A			

SolidWorks CAD File

