

Excellent Integrated System Limited

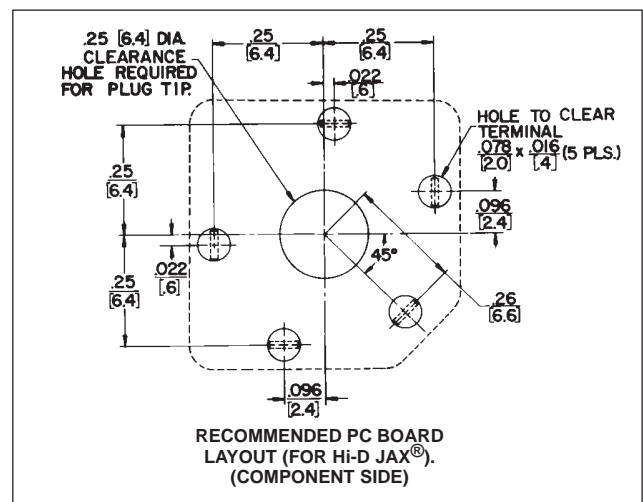
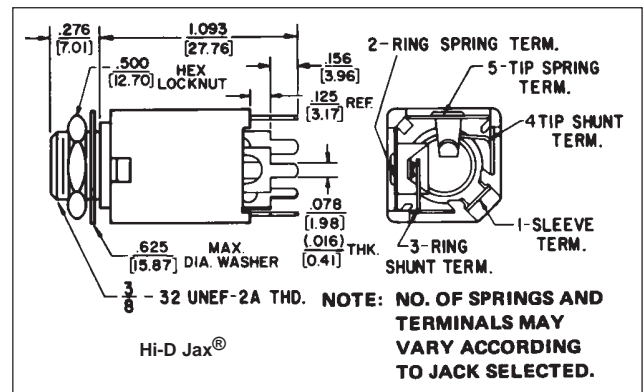
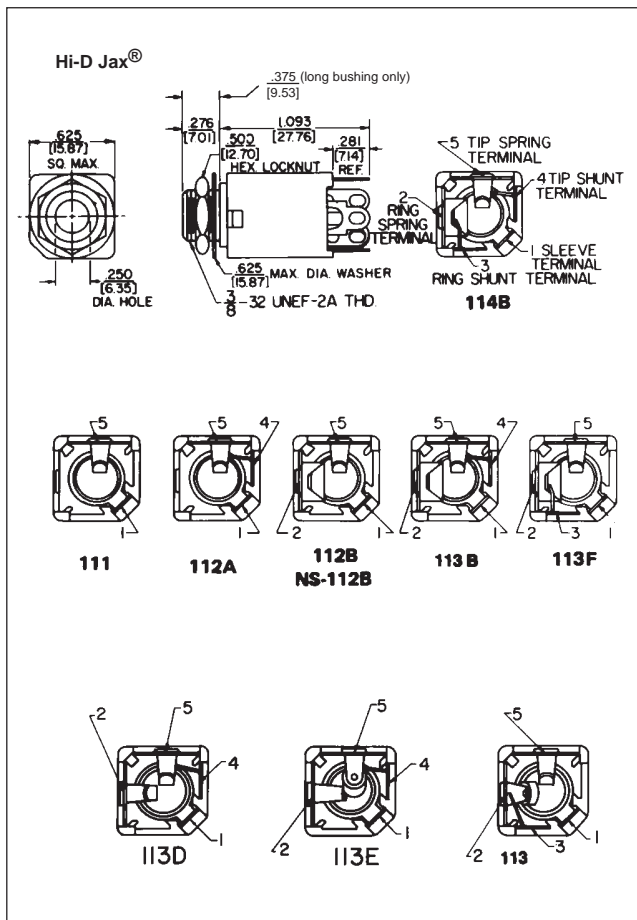
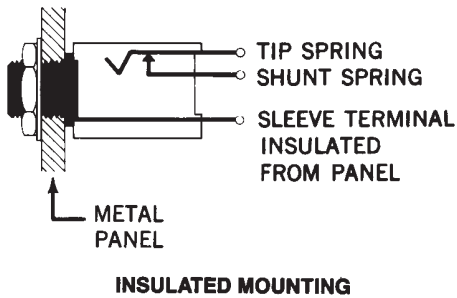
Stocking Distributor

Click to view price, real time Inventory, Delivery & Lifecycle Information:

[Switchcraft Inc.](#)
[N111](#)

For any questions, you can email us directly:
sales@integrated-circuit.com

1/4" ENCLOSED TELEPHONE JACKS



DIMENSIONS ARE FOR REFERENCE ONLY $\frac{\text{Inch}}{\text{(mm)}}$

NOTE: Contact your Switchcraft Representative for price and delivery.