

## Excellent Integrated System Limited

Stocking Distributor

Click to view price, real time Inventory, Delivery & Lifecycle Information:

[Logic PD, Inc.](#)  
[SOMLX800-11-000GC](#)

For any questions, you can email us directly:

[sales@integrated-circuit.com](mailto:sales@integrated-circuit.com)

PRODUCT BRIEF:  
 Logic :: AMD

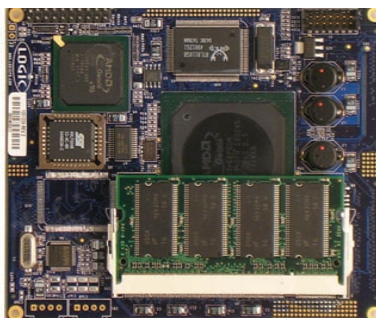
## AMD GEODE™ LX 800 System on Module

The AMD Geode LX 800 System on Module (SOM) is a compact, low-power x86, product-ready hardware and software solution that fast forwards your embedded design.

The AMD Geode LX 800 SOM-ETX offers essential features for building small form factor and embedded PC systems. Use of custom baseboards makes the SOM-ETX the ideal foundation for OEMs developing handheld and compact products. The SOM-ETX provides a common reference pin-out on its expansion connectors, which enables easy scalability to next generation microprocessor SOMs when new functionality or performance is required.

Application development is performed right on the product-ready AMD Geode LX 800 SOM-ETX, which enables you to seamlessly transfer your application code and hardware into production.

The AMD Geode LX 800 SOM-ETX is ideal for applications in the medical, point-of-sale, gaming, industrial, and security markets. From patient monitoring and medical imaging, to card payment



AMD GEODE LX 800 SOM-ETX

terminals and bar code readers, to CCTV cameras and intruder alarms, the AMD Geode LX 800 SOM-ETX allows for powerful versatility and long-life products.

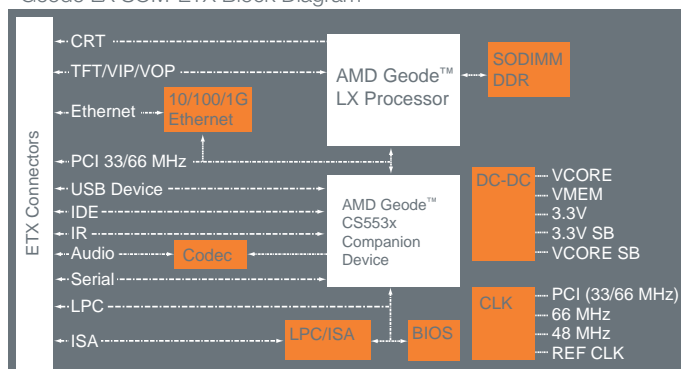
### GEODE LX 800 SOM-ETX :: HIGHLIGHTS:

- + Product-ready System on Module
- + Compact form factor based on ETX standard (96 x 115 mm)
- + Operating system drivers available for Microsoft Windows® XP/XPe/CE and Linux
- + Fanless and ultra-low power consumption
- + Long product lifecycle
- + 0°C to 70°C (commercial temp)
- + RoHS compliant

### ZOOM™ GEODE LX DB800 :: FEATURES:

- + Mini-ITX application baseboard
- + LX 800 SOM-ETX
- + 256 MB SODIMM
- + CompactFlash interface
- + Low cost
- + See the Zoom™ Geode LX Development Kit product brief for more information

Geode LX SOM-ETX Block Diagram



Block diagram is not drawn to scale. For reference purposes only.

### Geode LX SOM-ETX Ordering Information

Logic Model Number	Speed (MHz)	DDR Mem (MB)	Stack Height (mm)
SOMLX800-10-700GCR*	500	256	7
SOMLX800-11-000GCR	500	0	3

\*SOMLX800-10-700GCR configuration is only available with development kit and is not available in production quantities.

### ZOOM™ Geode LX Development Kit Ordering Information

Model Number	SOM Configuration	Recommended Resale
LX-DB800D-EVAL-KIT	SOMLX800-10-700GCR	\$750

#### LOGIC WEBSITE :: DESIGN RESOURCES:

- + Logic Technical Support : <http://www.logicpd.com/support/>
- + Technical Discussion Group : <http://www.logicpd.com/support/tdg/>
- + Frequently Asked Questions (FAQ) : <http://www.logicpd.com/support/faq/>
- + For more information contact Logic Sales : product.sales@logicpd.com



embedded product solutions

411 N. Washington Ave. Suite 400 Minneapolis, MN 55401  
 T : 612.672.9495 F : 612.672.9489 I : www.logicpd.com

### Product Features

- Processor**
  - + AMD Geode LX 800 processor running at 500 MHz
- SDRAM Memory**
  - + Supports up to 512 MB—PC2700
- Display**
  - + TFT LCD support up to 1600x1200x32bpp
  - + CRT support up to 1920x1440x32bpp at 85Hz
- Peripheral Support**
  - + USB 2.0—three high-speed hosts and one configurable host/device
  - + Serial—three RS232, 16C550 compatible ports
  - + IDE—UltraATA 133 support
  - + Ethernet, 10/100/1G—Realtek 8110SB
  - + AC97 audio
  - + PCI, 33/66 MHz—2.2 and 3.0 compliant
  - + LPC to ISA bridge—Winbond W83626F
- Flash Interface**
  - + Multiplexed with IDE interface supports many industry standard NAND and NOR flash
- Operating System Support**
  - + Microsoft Windows® XP
  - + Microsoft Windows® XPe
  - + Microsoft Windows® CE
  - + Linux
- BIOS**
  - + General Software
  - + Insyde Software
- Mechanical**
  - + 96 mm wide x 115 mm long x 12 mm high
- RoHS Compliant**

