

Excellent Integrated System Limited

Stocking Distributor

Click to view price, real time Inventory, Delivery & Lifecycle Information:

[Tamura](#)
[TTC-110](#)

For any questions, you can email us directly:

sales@integrated-circuit.com



REV. Status

REVISION -
01/09/92 HA

REVISION A
TEMECULA
WAS CARSON
REVISED NP
ADDED T2104
MICROTRAN
10/05/95 TS

REVISION B
NEW FORMAT
07/08/98 TS

REVISION C
ADDED RoHS.
UL1459 WAS
UL1863.
DIM 20.3(0.799)
WAS 19.8(0.781)
10/17/06 MP

FCC68 TELECOMMUNICATIONS COUPLING TRANSFORMER 600:600

- A. Electrical Specifications (@ 25° C)
1. Pri Source Impedance; 600Ω
 2. Sec Load Impedance; 600Ω
 3. Operating Level; -45dBm to +7dBm
 4. Insertion Loss; 1.2dB MAX @ 1KHz, 0dBm
 5. Frequency Response; ±0.5dB 300Hz to 3.5KHz @ 0dBm
 6. Primary Impedance; 600Ω ±10% @ 300Hz to 3.5KHz, 0dBm
 7. Total Harmonic Distortion; 0.5% MAX @ 300Hz to 3.5KHz, 0dBm
 8. Longitudinal Balance; 60dB MIN @ 200Hz to 4KHz
 9. DC Resistance; (1-3) = 36Ω ±20% (4-6) = 50Ω ±20%
 10. Turns Ratio; (1-3) : (4-6) = 1 : 1.033 ±2%
 11. Dielectric Strength; 1500Vrms 1 minute @ Pri to Sec, Pri to Core 1000Vrms 1 minute @ Sec to Core

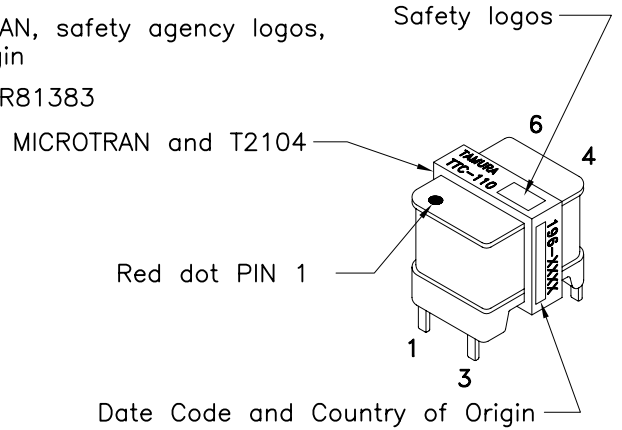
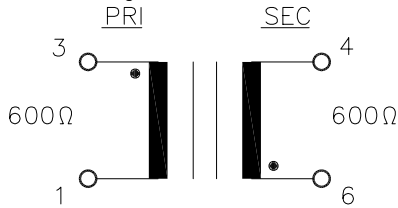


MODEL NUMBER
TTC-110

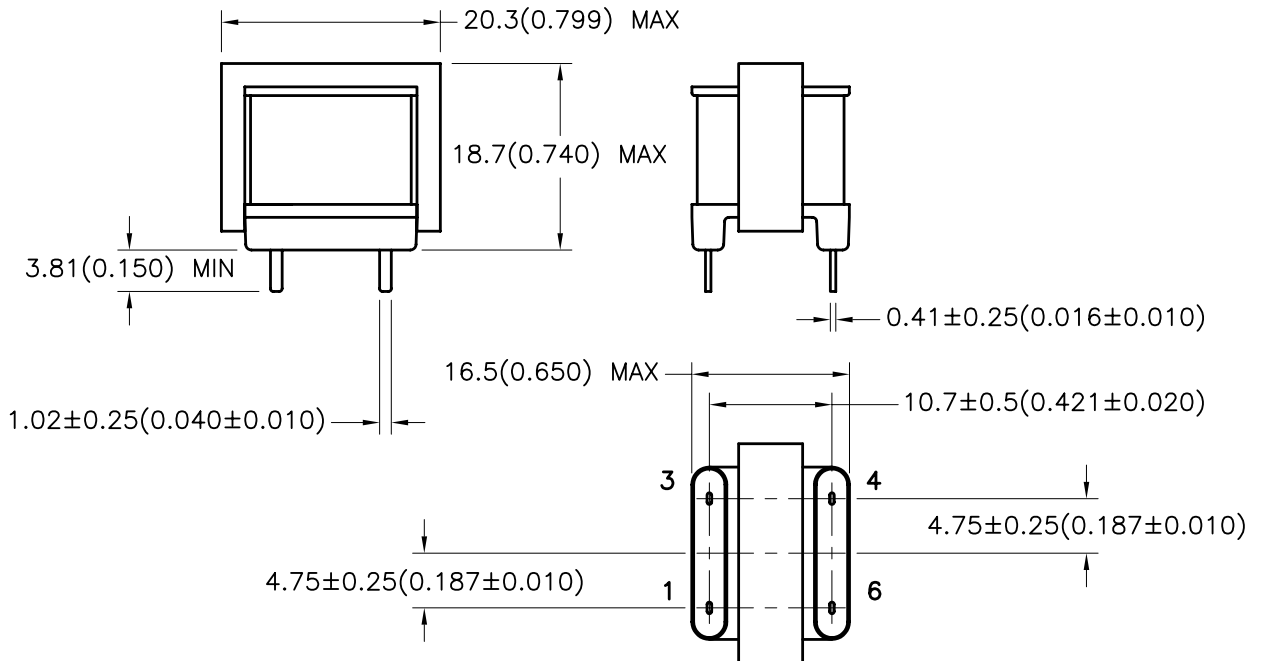
- B. Marking; TTC-110, TAMURA, T2104, MICROTRAN, safety agency logos, 196-date code and country of origin
- C. Safety; CSA-22.2 No. 66-M1988 File No. LR81383
UL 1459 File No. E142035



D. Schematic Diagram



E. Mechanical Specifications



PREPARED BY:
K. BRENNAN

ENGINEER:
M. PITCHAI

QUALITY CONTROL:
T. CLEM

APPROVED:
Y. SEKIGUCHI

DWG CONTROL NO.
P-A1-10525
ACAD/TTC/A1105251.DWG

REV
C

TELECOMMUNICATION COUPLING
TRANSFORMER

TAMURA CORPORATION OF AMERICA
43352 BUSINESS PARK DRIVE, TEMECULA, CA. 92590-6624
(951) 699-1270 FAX 9516769482

TTC-110
MODEL SPECIFICATION
DIM: mm(In) SCL: 1/1 SH: 1 OF 1

PROPRIETARY NOTICE: THIS DRAWING PRINT OR DOCUMENT AND SUBJECT MATTER DISCLOSED HEREIN ARE PROPRIETARY ITEMS TO WHICH TAMURA RETAINS THE EXCLUSIVE RIGHT OF DISSEMINATION, REPRODUCTION, MANUFACTURE AND SALE. THIS DRAWING, PRINT OR DOCUMENT IS SUBMITTED IN CONFIDENCE FOR CONSIDERATION BY THE RECIPIENT ALONE UNLESS PERMISSION FOR FURTHER DISCLOSURE IS EXPRESSLY GRANTED IN WRITING.