

Excellent Integrated System Limited

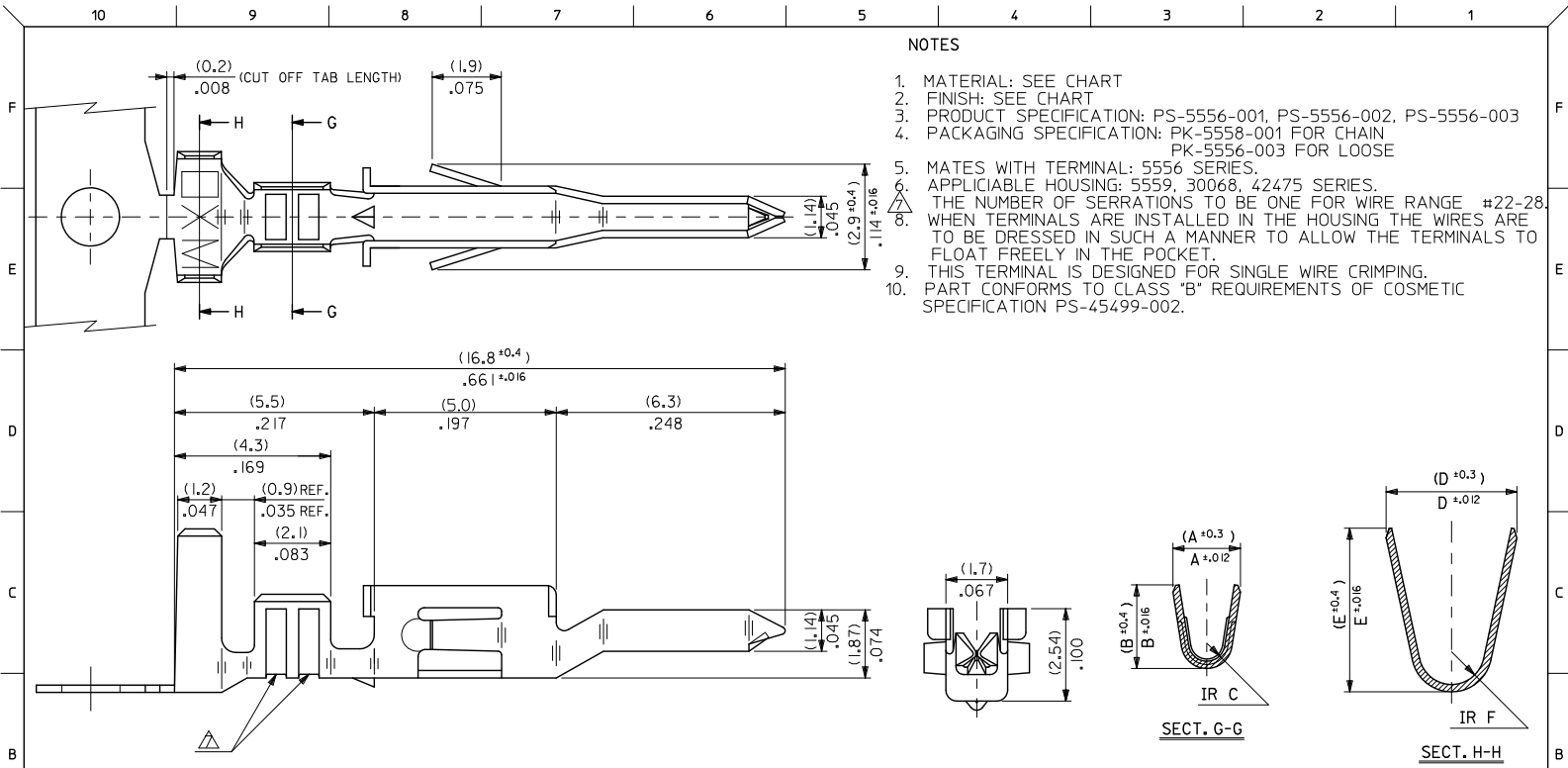
Stocking Distributor

Click to view price, real time Inventory, Delivery & Lifecycle Information:

[Molex Connector Corporation](#)
[0039000082](#)

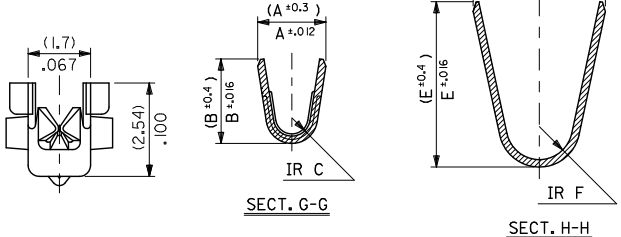
For any questions, you can email us directly:

sales@integrated-circuit.com



NOTES

1. MATERIAL: SEE CHART
2. FINISH: SEE CHART
3. PRODUCT SPECIFICATION: PS-5556-001, PS-5556-002, PS-5556-003
4. PACKAGING SPECIFICATION: PK-5558-001 FOR CHAIN
PK-5556-003 FOR LOOSE
5. MATES WITH TERMINAL: 5556 SERIES.
6. APPLICABLE HOUSING: 5559, 30068, 42475 SERIES.
7. THE NUMBER OF SERRATIONS TO BE ONE FOR WIRE RANGE #22-28.
8. WHEN TERMINALS ARE INSTALLED IN THE HOUSING THE WIRES ARE TO BE DRESSED IN SUCH A MANNER TO ALLOW THE TERMINALS TO FLOAT FREELY IN THE POCKET.
9. THIS TERMINAL IS DESIGNED FOR SINGLE WIRE CRIMPING.
10. PART CONFORMS TO CLASS "B" REQUIREMENTS OF COSMETIC SPECIFICATION PS-45499-002.



<p>UPDATED NOTES EC NO: LCP2010-2478 DRAWN: JAGUILAR 2010/04/06 CHKD: BELL 2010/04/09 APPR: SMITH 2010/04/09</p>	<p>QUALITY SYMBOLS ▽=0 ▽=0 ▽=0</p>	<p>GENERAL TOLERANCES (UNLESS SPECIFIED)</p>		<p>DIMENSION STYLE MM/IN</p>	<p>SCALE 10:1</p>	<p>DESIGN UNITS METRIC</p>	<p>THIRD ANGLE PROJECTION</p>															
		<table border="1"> <thead> <tr> <th></th> <th>mm</th> <th>INCH</th> </tr> </thead> <tbody> <tr> <td>4 PLACES</td> <td>± .15</td> <td>± .005</td> </tr> <tr> <td>3 PLACES</td> <td>± .10</td> <td>± .003</td> </tr> <tr> <td>2 PLACES</td> <td>± .07</td> <td>± .002</td> </tr> <tr> <td>1 PLACE</td> <td>± .05</td> <td>± .001</td> </tr> </tbody> </table>		mm	INCH	4 PLACES	± .15	± .005	3 PLACES	± .10	± .003	2 PLACES	± .07	± .002	1 PLACE	± .05	± .001	<p>DRAWN BY: H.HIRAMOTO 1991/03/12 DATE: 2010/04/06</p> <p>CHECKED BY: S.KUNISHI 1998/07/07 DATE: 2010/04/09</p> <p>APPROVED BY: M.MURAKUSHIMA 1998/07/07 DATE: 2010/04/09</p>		<p>TITLE MINI-FIT JR OVERALL TIN MALE CRIMP TERMINAL</p>		
			mm	INCH																		
		4 PLACES	± .15	± .005																		
3 PLACES	± .10	± .003																				
2 PLACES	± .07	± .002																				
1 PLACE	± .05	± .001																				
<p>DRAFT WHERE APPLICABLE MUST REMAIN WITHIN DIMENSIONS</p>		<p>MATERIAL NO. SEE CHART</p>		<p>DOCUMENT NO. SD-5558****</p>		<p>SHEET NO. 1 OF 2</p>																
<p>THIS DRAWING CONTAINS INFORMATION THAT IS PROPRIETARY TO MOLEX INCORPORATED AND SHOULD NOT BE USED WITHOUT WRITTEN PERMISSION</p>																						

10 9 8 7 6 5 4 3 2 1

TIN PLATED PHOSPHOR BRONZE	(0.9)	(4.5)	(3.6)	(0.6)	(2.7)	(2.3)	∅ (3.1)	#16	39-00-0084	5558 PBT3L	LOOSE
	.035	.177	.142	.024	.106	.091	.122		↑ -0083	↑ PBT3	CHAIN
	(0.6)	(2.3)	(2.3)	(0.4)	(1.65)	(1.8)	∅ (0.9-1.8)	#22-28	-0068	PBT2L	LOOSE
	.024	.091	.091	.016	.065	.071	∅ .035-.071		-0067	PBT2	CHAIN
TIN OVER COPPER PLATED BRASS	(0.9)	(4.5)	(3.6)	(0.6)	(2.7)	(2.3)	∅ (3.1)	#16			
	.035	.177	.142	.024	.106	.091	.122		-0082	T3L	LOOSE
	(0.6)	(2.3)	(2.3)	(0.4)	(1.65)	(1.8)	∅ (0.9-1.8)	#22-28	-0049	T2L	LOOSE
	.024	.091	.091	.016	.065	.071	∅ .035-.071		-0048	T2	CHAIN
MATERIAL	(0.9)	(4.5)	(3.6)	(0.5)	(2.3)	(1.9)	∅ (1.3-3.1)	#18-24	↓ -0041	↓ TL	LOOSE
	.035	.177	.142	.020	.091	.075	∅ .051-.122		39-00-0040	5558 T	CHAIN
MATERIAL	F	E	D	C	B	A	INS. RANGE	WIRE RANGE	EDP NO.	ENG. NO.	FORM

UPDATE TITLE BLOCK EC NO: UCP2010-2478 DRAWN: JAGUILAR 2010/04/06 CHECK: BELL 2010/04/08 APPROVE: SMITH 2010/04/09 REV:	QUALITY SYMBOLS	GENERAL TOLERANCES (UNLESS SPECIFIED)		DIMENSION STYLE		SCALE	DESIGN UNITS	THIRD ANGLE PROJECTION
	▽=0	mm	INCH	MM/IN	DATE	10:1	METRIC	⊙
	▽=0	4 PLACES ± .008	± .008	DATE	1991/03/12	TITLE		
	▽=0	3 PLACES ± .020	± .008	DATE	1998/07/07	MINI-FIT JR OVERALL TIN MALE CRIMP TERMINAL		
	1 PLACE ± .2	± .008	DATE	2010/04/09	MOLEX INCORPORATED			
	ANGULAR ± 3°	DRAFT WHERE APPLICABLE MUST REMAIN WITHIN DIMENSIONS		SEE CHART		DOCUMENT NO.		SHEET NO.
						SD-5558****		2 OF 2
						THIS DRAWING CONTAINS INFORMATION THAT IS PROPRIETARY TO MOLEX INCORPORATED AND SHOULD NOT BE USED WITHOUT WRITTEN PERMISSION		

9 8 7 6 5 4 3 2 1