

## Excellent Integrated System Limited

Stocking Distributor

Click to view price, real time Inventory, Delivery & Lifecycle Information:

[I/O Interconnect](#)  
[GLF-121-010-003](#)

For any questions, you can email us directly:

[sales@integrated-circuit.com](mailto:sales@integrated-circuit.com)

DWG. NO.	ZONE	REV.	DESCRIPTION	DATE	APPROVED
010-0X3		X1	CUSTOMER APPROVAL	12/22/98	C.W.
		X2	CHANGE RETRACTED LENGTH FROM 13' TO 24'	12/29/98	C.W.
		A	PRODUCTION RELEASE	01/04/99	C.W.
		B	CHAGNE TO ROHS	02/15/06	M.G.

NOTES: UNLESS OTHERWISE SPECIFIED.

1.0 MATERIAL AND SPECIFICATIONS

- 1.01 CONDUCTORS: 26 AVG (12/0.12 mm) STRANDED BARE COPPER.
- 1.02 INSULATION: POLYPROPYLENE
- 1.03 COLOR: PER CALLOUT

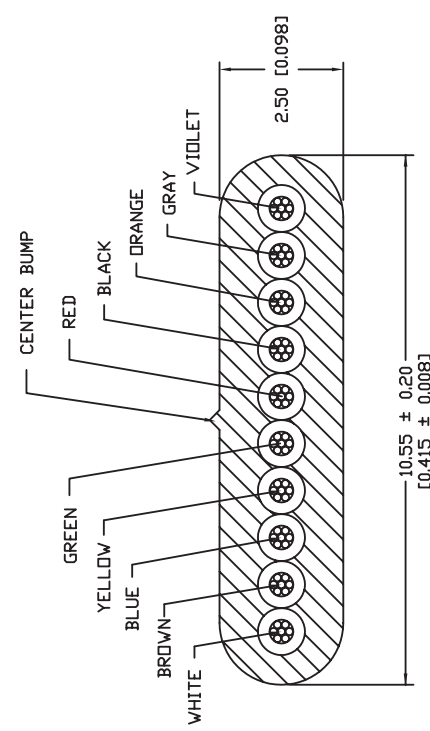
2.0 ELECTRICAL CHARACTERISTICS

- 2.01 TEMPERATURE & VOLTAGE RATING: 80°C 30 V
- 2.02 CONDUCTORS RESISTANCE: 148 OHMS/KM MAX. AT 20°C
- 2.03 INSULATION RESISTANCE: 100 MEGOHMS/KM MIN. AT 20°C
- 2.04 CAPACITANCE: 15 PF/FT (MAX)
- 2.05 DIELECTRIC TEST: AC-500V PER 1 MINUTE

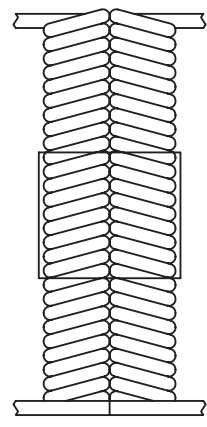
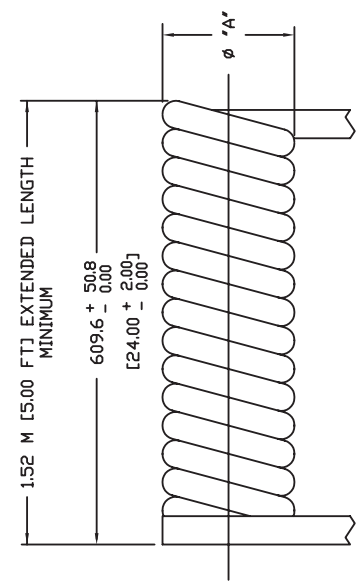
3.0 PACKAGING SPECIFICATION

- 3.01 USE CLEAR TAPE TO BUNDLE 25 CABLES TOGETHER AT THE MID SECTION.
- 3.02 PLACE PLASTIC BAG IN SHIPPING BOX AND LAY 10 BUNDLE OR 250 PIECES MAX. PER SHIPPING BOX. CLOSE PLASTIC BAG AND SEAL BOX ALONG 3 SURFACES WITH TAPE.
- 3.03 MAX. DIMENSION OUTSIDE SHIPPING BOX IS L=13.00" x V=25.00" x H=9.00".



THESE DRAWINGS AND SPECIFICATIONS ARE THE SOLE PROPERTY OF I/O INTERCONNECT INC., AND SHALL NOT BE REPRODUCED, COPIED, OR USED IN ANY MANNER WITHOUT THE PRIOR WRITTEN CONSENT OF I/O INTERCONNECT INC. OR ITS AFFILIATED SUBSIDIARIES.



10 CONDUCTOR CABLE



BUNDLE SPECIFICATION

GLF-121-010-003	10	SILVER SATIN	[0.748 REF.] 1900 REF.]
GLF-121-010-013	10	BLACK	[0.748 REF.] 1900 REF.]
GLF-121-010-023	10	WHITE	[0.748 REF.] 1900 REF.]
I/O INTERCONNECT PART NUMBER	NUMBER OF CONDUCTORS	COLOR	φ 'A'
 <p>THIRD ANGLE PROJECTION</p>			
 <p>UNLESS OTHERWISE NOTED: 1) DIMENSIONS ARE IN MILLIMETER (INCHES) 2) TOLERANCES: XX ± 0.20 [0.008] XXX ± 0.35 [0.250]</p>			
PR. BY: CHAU MAL	DATE: 02/15/06	TITLE: 26 AVG (12/0.12 mm) BARE COPPER, 500 FT EXTENDED, 10P 10C	
PR. CHECKER:		NON-UL, UNSHIELD, MODULAR CABLE	
ENG:		PART NO:	GLF-121-010-0X3
ENGINEER:		DWG NO:	GLF-121-010-0X3
CUST./SALES:		CUSTOMER:	DIGI KEY
QA:		SCALE:	NONE
		REV.:	B
		SHEET:	1 OF 1

