



Distributor of Molex Connector Corporation: Excellent Integrated System Limited
Datasheet of 0190010005 - Connector Quick Connect Tab 18-22 AWG 0.187" (4.75mm) Crimp

Contact us: sales@integrated-circuit.com Website: www.integrated-circuit.com

Excellent Integrated System Limited

Stocking Distributor

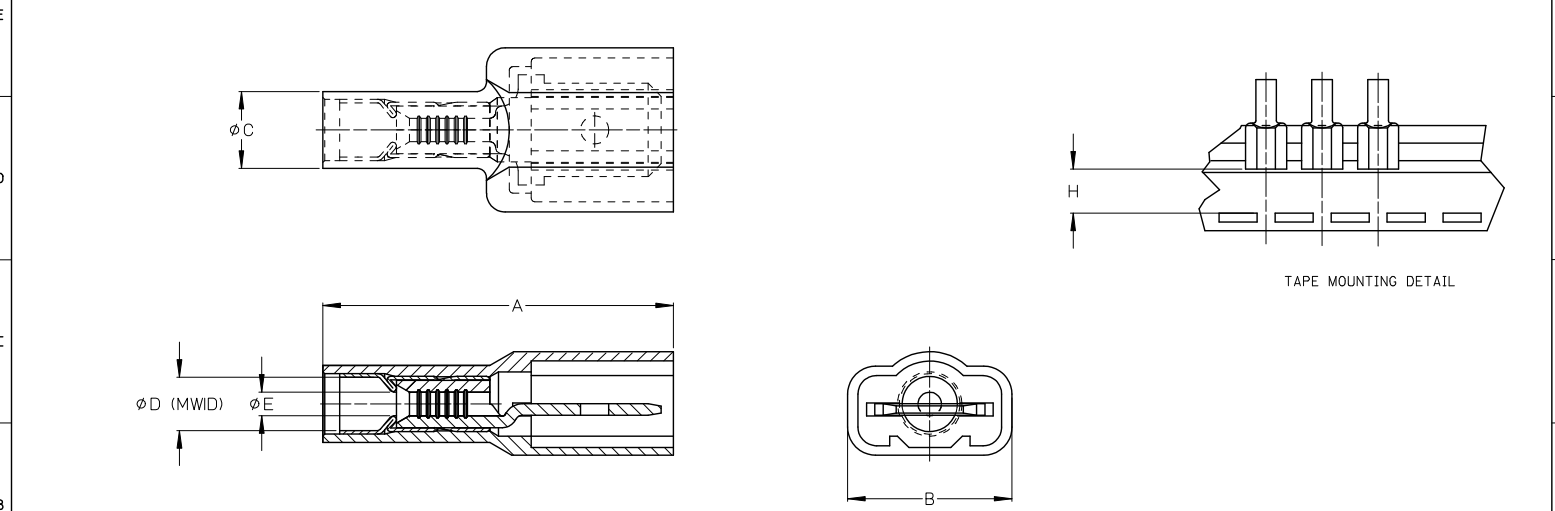
Click to view price, real time Inventory, Delivery & Lifecycle Information:

[Molex Connector Corporation](#)
[0190010005](#)

For any questions, you can email us directly:

sales@integrated-circuit.com

10		9		8		7		6		5		4		3		2		19001	
ASSEMBLY NUMBER		TAPE NUMBER		ITEM DESCRIPTION						DIMENSIONS									
MATERIAL NUMBER	ENGINEERING NUMBER	MATERIAL NUMBER	TAPE ENG. NUMBER	COLOR	WIRE GAUGE	TAB SIZE		'A' MAX	'B' MAX	'C' MAX	'D' MIN	'E' MIN	'H' REF						
190010001	AA-5260	190010002	AA-5260T	RED	22-18 AWG (0.38-0.96mm ²)	.250 x .032 (6.35 x 0.81)		.96/24.4	.45/11.4	.22/5.6	.140/3.56	.054/1.37	.43/10.9						
190010003	AA-5266	190010005	AA-5266T	RED	22-18 AWG (0.38-0.96mm ²)	.187 x .020 (4.75 x 0.51)		.90/22.9	.38/9.7	.22/5.6	.140/3.56 (A2)	.054/1.37	.47/11.9						
190010006	BB-5262	190010007	BB-5262T	BLUE	16-14 AWG (1.23-1.94mm ²)	.250 x .032 (6.35 x 0.81)		.96/24.4	.45/11.4	.25/6.4	.170/4.32 (A2)	.084/2.13	.43/10.9						
190010008	BB-5268	190010009	BB-5268T	BLUE	16-14 AWG (1.23-1.94mm ²)	.187 x .020 (4.75 x 0.51)		.90/22.9	.38/9.7	.25/6.4	.170/4.32	.084/2.13	.47/11.9						



NOTES:

1. TERMINAL MATERIAL: BRASS
2. TERMINAL PLATING: ZINC CHROMATE
3. HOUSING: 6/6 NYLON
4. MWD: MAXIMUM WIRE INSULATION DIAMETER
5. TAB DIMENSIONS CONFORM TO UL310 SPECIFICATIONS.
6. ASSEMBLY IS ROHS COMPLIANT

QUALITY SYMBOLS $\nabla=0$ $\nabla=0$	GENERAL TOLERANCES (UNLESS SPECIFIED)		DIMENSION STYLE IN/MM		SCALE 4:1	DESIGN UNITS INCH	THIRD ANGLE PROJECTION
	4 PLACES	\pm ---	\pm ---	DRAWN BY RCM	DATE 1990/05/11	TITLE AVIKRIMP FULLY INSULATED MALE TABS	
	3 PLACES	\pm ---	\pm .005	CHECKED BY RDEROSS	DATE 1990/05/11		
	2 PLACES	\pm 0.13	\pm .01	APPROVED BY RDEROSS	DATE 1990/05/11	MOLEX INCORPORATED MATERIAL NO. SEE CHART DOCUMENT NO. SD-19001-003	
1 PLACE	\pm 0.25	\pm ---	ANGULAR \pm ---°				
DRAFT WHERE APPLICABLE MUST REMAIN WITHIN DIMENSIONS			MATERIAL NO. SEE CHART	DOCUMENT NO. SD-19001-003	SHEET NO. 1 OF 1		