

Excellent Integrated System Limited

Stocking Distributor

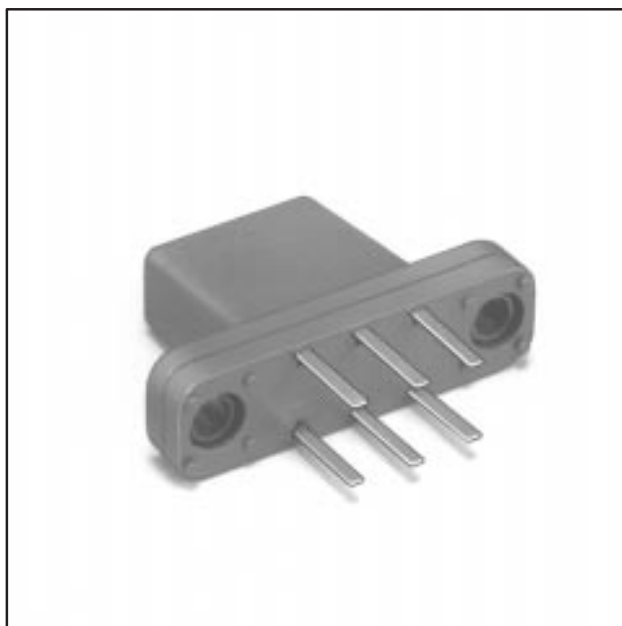
Click to view price, real time Inventory, Delivery & Lifecycle Information:

[3M](#)
[203-2737-55-1102](#)

For any questions, you can email us directly:

sales@integrated-circuit.com

Discrete Power In-Line Sockets



- Accepts a wide variety of in-line devices up to 3 leads including TO-3 and TO-66
- Kelvin contacts
- Repairable - body and contacts replaceable
- Slotted out 2 entry ports accept devices with .075" (1.90 mm) to .200" (5.1 mm) between leads
- Must be mounted to board with screws

Date Issued: February 19, 2001

TS-0458-07
Sheet 1 of 2

40

Physical

Insulation

Material: Glass Filled Polyphenylene-Sulfide
Flammability: UL 94V-0
Color: Black

Marking: 3M Logo & Part Number Identifier**Contact**

Material: Beryllium Copper
Plating: 30 μ " (0.76 μ m) Gold over 50 μ " (1.3 μ m) Nickel

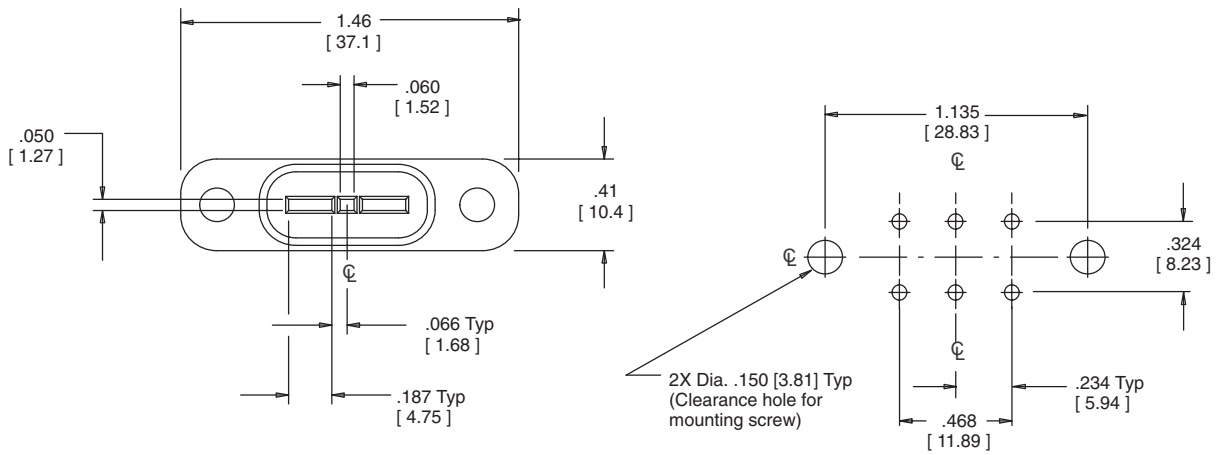
Electrical

Current Rating: 1 Amp
Insulation Resistance: $>1 \times 10^{12} \Omega$ at 500 Vdc
Withstanding Voltage: 1000 Vrms at Sea Level

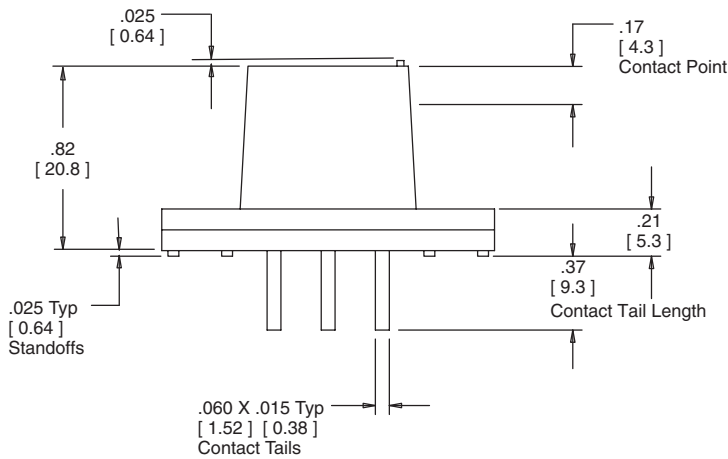
Environmental

Operating Temperature Rating: - 55° C to + 150° C

Discrete Power In-Line Sockets



P.C. BOARD PATTERN



	Tolerance $\frac{\text{inch}}{\text{(mm)}}$	
Dimension	$\frac{.00}{(.0)}$	$\frac{.000}{(.00)}$
Tolerance	$\pm .010$ ($\pm .25$)	$\pm .005$ ($\pm .13$)

Ordering Information

203-2737-55-1102

TS-0458-07
Sheet 2 of 2