

## Excellent Integrated System Limited

Stocking Distributor

Click to view price, real time Inventory, Delivery & Lifecycle Information:

[Pericom Semiconductor Corp.](#)  
[PI74SSTVF32852ANBE](#)

For any questions, you can email us directly:

[sales@integrated-circuit.com](mailto:sales@integrated-circuit.com)



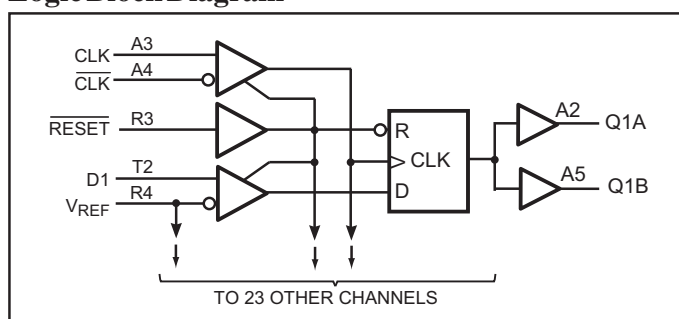
## PI74SSTVF32852A

### 24-Bit to 48-Bit Registered Buffer

#### Product Features

- PI74SSTVF32852A is designed for low-voltage operation, 2.5V for PC1600~PC2700; 2.6V for PC3200
- Supports SSTL\_2 Class I specifications on outputs
- All Inputs are SSTL\_2 Compatible, except RESET which is LVCMOS.
- Designed for DDR Memory
- Packaging: 114-Ball LFBGA
  - Pb-free available

#### Logic Block Diagram



#### Product Pin Description

Pin Name	Description
$\overline{\text{RESET}}$	Reset (Active Low) LVCMOS
CLK	Clock Input, Positive Differential Input
$\overline{\text{CLK}}$	Clock Input, Negative Differential Input
D	Data Input
Q	Data Output
GND	Ground
V <sub>DD</sub>	Core Supply Voltage, 2.5V Nominal
V <sub>DDQ</sub>	Output Supply Voltage, 2.5V Nominal
V <sub>REF</sub>	Input Reference Voltage, 1.25V Nominal

#### Truth Table<sup>(1)</sup>

Inputs				Outputs
$\overline{\text{RESET}}$	CLK	$\overline{\text{CLK}}$	D	Q
L	X or Floating	X or Floating	X or Floating	L
H	↑	↓	H	H
H	↑	↓	L	L
H	L or H	L or H	X	Q <sub>0</sub> <sup>(2)</sup>

#### Notes:

1. H = High Signal Level; L = Low Signal Level; ↑ = Transition LOW-to-HIGH; ↓ = Transition HIGH-to-LOW  
X = Irrelevant or floating
2. Output level before the indicated steady state input conditions were established.

#### Product Description

Pericom Semiconductor's PI74SSTVF32852A logic circuit is produced using the Company's advanced sub-micron CMOS technology, achieving industry leading speed.

All inputs are compatible with the JEDEC standard for SSTL\_2, except the LVCMOS reset ( $\overline{\text{RESET}}$ ) input. All outputs are SSTL\_2, Class II compatible.

The device operates from a differential clock (CK and  $\overline{\text{CK}}$ ). Data registered at the crossing of CK going HIGH, and  $\overline{\text{CK}}$  going LOW.

The PI74SSTVF32852A supports low-power standby operation. When  $\overline{\text{RESET}}$  is LOW, the differential input receivers are disabled, and undriven (floating) data, clock and reference voltage (VREF) inputs are allowed. In addition, when  $\overline{\text{RESET}}$  is LOW, all registers are reset, and all outputs are forced LOW. The LVCMOS  $\overline{\text{RESET}}$  input must always be held at a valid logic HIGH or LOW level.

To ensure defined outputs from the register before a stable clock has been supplied,  $\overline{\text{RESET}}$  must be held in the LOW state during power up.

In the DDR DIMM application,  $\overline{\text{RESET}}$  is specified to be completely asynchronous with respect to CK and  $\overline{\text{CK}}$ . Therefore, no timing relationship can be guaranteed between the two. When entering  $\overline{\text{RESET}}$ , the register will be cleared and the outputs will be driven LOW quickly, relative to the time to disable the differential input receivers, thus ensuring no glitches on the output. However, when coming out of  $\overline{\text{RESET}}$ , the register will become active quickly, relative to the time to enable the differential input receivers. When the data inputs are LOW, and the clock is stable, during the time from the LOW-to-HIGH transition of  $\overline{\text{RESET}}$  until the input receivers are fully enabled, the design must ensure that the outputs will remain LOW.

Pericom's PI74SSTVF32852A is characterized for operation from 0° to 70°C.

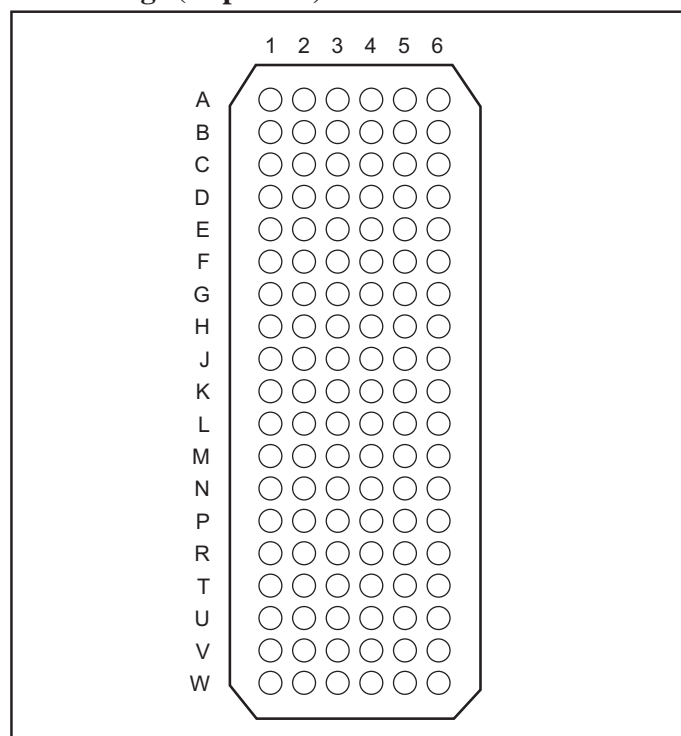


**PI74SSTVF32852A**  
**24-Bit to 48-Bit**  
**Registered Buffer**

**Product Pin Configuration**

	1	2	3	4	5	6
<b>A</b>	Q2A	Q1A	CLK	$\overline{\text{CLK}}$	Q1B	Q2B
<b>B</b>	Q3A	V <sub>DDQ</sub>	GND	GND	V <sub>DDQ</sub>	Q3B
<b>C</b>	Q5A	Q4A	V <sub>DDQ</sub>	V <sub>DDQ</sub>	Q4B	Q5B
<b>D</b>	Q7A	Q6A	GND	GND	Q6B	Q7B
<b>E</b>	Q8A	GND	V <sub>DDQ</sub>	V <sub>DDQ</sub>	GND	Q8B
<b>F</b>	Q10A	Q9A	V <sub>DDQ</sub>	V <sub>DDQ</sub>	Q9B	Q10B
<b>G</b>	Q12A	Q11A	GND	GND	Q11B	Q12B
<b>H</b>	Q13A	V <sub>CC</sub>	V <sub>DDQ</sub>	V <sub>DDQ</sub>	V <sub>CC</sub>	Q13B
<b>J</b>	Q14A	Q15A	GND	GND	Q15B	Q14B
<b>K</b>	Q17A	Q16A	V <sub>DDQ</sub>	V <sub>DDQ</sub>	Q16B	Q17B
<b>L</b>	Q18A	Q19A	GND	GND	Q19B	Q18B
<b>M</b>	Q20A	V <sub>DDQ</sub>	GND	GND	V <sub>DDQ</sub>	Q20B
<b>N</b>	Q22A	Q21A	V <sub>DDQ</sub>	V <sub>DDQ</sub>	Q21B	Q22B
<b>P</b>	Q23A	V <sub>DDQ</sub>	GND	GND	V <sub>DDQ</sub>	Q23B
<b>R</b>	Q24A	V <sub>CC</sub>	$\overline{\text{RESET}}$	V <sub>REF</sub>	V <sub>CC</sub>	Q24B
<b>T</b>	D2	D1	D6	D18	D13	D14
<b>U</b>	D4	D3	D10	D22	D15	D16
<b>V</b>	D5	D7	D11	D23	D19	D17
<b>W</b>	D8	D9	D12	D24	D21	D20

**NB Package (Top View)**





**PI74SSTVF32852A**  
**24-Bit to 48-Bit**  
**Registered Buffer**

**Maximum Ratings** (Above which the useful life may be impaired. For user guidelines, not tested.)

Item	Symbol/Conditions	Ratings	Units
Storage temperature	$T_{stg}$	-65 to 150	°C
Supply voltage	$V_{DD}$ or $V_{DDQ}$	-0.5 to 3.6	V
Input voltage <sup>(1,2)</sup>	$V_I$	-0.5 to $V_{DD} + 0.5$	
Output voltage <sup>(1,2)</sup>	$V_O$	-0.5 to $V_{DDQ} + 0.5$	
Input clamp current	$I_{IK}$ , $V_I < 0$ or $V_I > V_{DD}$	-50	
Output clamp current	$I_{OK}$ , $V_O < 0$ or $V_O > V_{DDQ}$	±50	mA
Continuous output current	$I_O$ , $V_O = 0$ to $V_{DDQ}$	±50	
$V_{DD}$ , $V_{DDQ}$ or GND current/pin	$I_{DD}$ , $I_{DDQ}$ or $I_{GND}$	±100	
Package Thermal Impedance <sup>(3)</sup>	$\theta_{JA}$	36	°C/W

**Note:**

Stresses greater than those listed under MAXIMUM RATINGS may cause permanent damage to the device. This is a stress rating only and functional operation of the device at these or any other conditions above those indicated in the operational sections of this specification is not implied. Exposure to absolute maximum rating conditions for extended periods may affect reliability.

1. The input and output negative voltage ratings may be excluded if the input and output clamp ratings are observed.
2. This value is limited to 3.6V Maximum.
3. The package thermal impedance is calculated in accordance with JESD 51-7.

**Recommended Operating Conditions<sup>(4)</sup>**

Parameters	Description		Min.	Nom.	Max.	Units
$V_{DD}/V_{DDQ}$	Core Output Supply Voltage	PC1600 PC2700	2.3	2.5	2.7	V
		PC3200	2.5	2.6	2.7	
$V_{REF}$	Reference Voltage $V_{REF} = 0.5X V_{DDQ}$	PC1600 PC2700	1.15	1.25	1.35	
		PC3200	1.25	1.3	1.35	
$V_{TT}$	Termination Voltage		$V_{REF} - 0.04$	$V_{REF}$	$V_{REF} + 0.04$	
$V_I$	Input Voltage		0		$V_{DD}$	
$V_{IH}$	AC High -Level Input Voltage	Data Inputs	$V_{REF} + 310mV$			
$V_{IL}$	AC Low -Level Input Voltage				$V_{REF} - 310mV$	
$V_{IH}$	DC High -Level Input Voltage		$V_{REF} + 150mV$			
$V_{IL}$	DC Low -Level Input Voltage				$V_{REF} - 150mV$	
$V_{IH}$	High -Level Input Voltage	Reset	1.7			
$V_{IL}$	Low -Level Input Voltage				0.7	
$V_{ICR}$	Common-mode input range	CK, $\overline{CK}$	0.97		1.53	
$V_{ID}$	Differential Input Voltage		360			
$I_{OH}$	High-Level Output Current				-16	mA
$I_{OL}$	Low-Level Output Current				16	
$T_A$	Operating Free-Air Temperature		0		70	°C

**Note:**

4. The  $\overline{RESET}$  input of the device must be held at  $V_{DD}$  or GND to ensure proper device operation. The differential inputs must not be floating, unless  $\overline{RESET}$  is LOW.



**PI74SSTVF32852A**  
**24-Bit to 48-Bit**  
**Registered Buffer**

### DC Electrical Characteristics for PC1600 ~ PC2700

(Over the Operating Range,  $T_A = 0^\circ\text{C}$  to  $+70^\circ\text{C}$ ,  $V_{DD} = 2.5\text{V} \pm 200\text{mV}$ ,  $V_{DDQ} = 2.5\text{V} \pm 200\text{mV}$ )

Parameters		Test Conditions	V <sub>CC</sub>	Min.	Typ. <sup>(1)</sup>	Max.	Units			
V <sub>IK</sub>		I <sub>I</sub> = -18mA	2.3V			-1.2	V			
V <sub>OH</sub>		I <sub>OH</sub> = -100μA	2.3V-2.7V	V <sub>DD</sub> - 0.2V						
		I <sub>OH</sub> = -8mA	2.3V	1.95						
V <sub>OL</sub>		I <sub>OL</sub> = 100μA	2.3V-2.7V			0.2				
		I <sub>OH</sub> = 8mA	2.3V			0.35				
I <sub>I</sub>	All Inputs,	V <sub>I</sub> = V <sub>DD</sub> or GND	2.7V			±5	μA			
I <sub>DD</sub>	Standby (Static)	$\overline{\text{RESET}} = \text{GND}$	2.7V			10				
	Operating Static	$\overline{\text{RESET}} = V_{DD}$ V <sub>I</sub> = V <sub>IH</sub> (AC) or V <sub>I</sub> (AC)				35	mA			
I <sub>DDD</sub>	Dynamic Operating - Clock only	$\overline{\text{RESET}} = V_{DD}$ V <sub>I</sub> = V <sub>IH</sub> (AC) or V <sub>IL</sub> (AC), CK and $\overline{\text{CK}}$ switching 50% duty cycle				I <sub>O</sub> = 0		46		μA/ clock MHz
	Dynamic Operating - per each data input	$\overline{\text{RESET}} = V_{DD}$ V <sub>I</sub> = V <sub>IH</sub> (AC) or V <sub>IL</sub> (AC), CK and $\overline{\text{CK}}$ switching 50% duty cycle. One data input switching at half clock frequency, 50% duty cycle						12		μA/ clock MHz Data
C <sub>I</sub>	Data inputs	V <sub>I</sub> = V <sub>REF</sub> ± 310mV				2.5V			3.0	4.0
	CK and $\overline{\text{CK}}$	V <sub>ICR</sub> = 1.25V, V <sub>I(PP)</sub> = 360mV	6.5	8.0	9.5					
	$\overline{\text{RESET}}$	V <sub>I</sub> = V <sub>CC</sub> or GND	3.5	4.35	5.0					

**Note:**

1. All typical values are at V<sub>DD</sub> = 2.5V, T<sub>A</sub> = 25°C.



**PI74SSTVF32852A**  
**24-Bit to 48-Bit**  
**Registered Buffer**

### DC Electrical Characteristics for PC3200

(Over the Operating Range,  $T_A = 0^\circ\text{C}$  to  $+70^\circ\text{C}$ ,  $V_{DD} = 2.6\text{V} \pm 100\text{mV}$ ,  $V_{DDQ} = 2.6\text{V} \pm 100\text{mV}$ )

Parameters		Test Conditions	V <sub>CC</sub>	Min.	Typ. <sup>(1)</sup>	Max.	Units	
V <sub>IK</sub>		I <sub>I</sub> = -18mA	2.5V			-1.2	V	
V <sub>OH</sub>		I <sub>OH</sub> = -100μA	2.5V-2.7V	V <sub>DD</sub> -0.2V				
		I <sub>OH</sub> = -8mA	2.5V	1.95				
V <sub>OL</sub>		I <sub>OL</sub> = 100μA	2.5V-2.7V			0.2		
		I <sub>OH</sub> = 8mA	2.5V			0.35		
I <sub>I</sub>	All Inputs,	V <sub>I</sub> = V <sub>DD</sub> or GND	2.7V			±5	μA	
I <sub>DD</sub>	Standby (Static)	$\overline{\text{RESET}} = \text{GND}$	2.7V			10		
	Operating Static	$\overline{\text{RESET}} = V_{DD}$ V <sub>I</sub> = V <sub>IH</sub> (AC) or V <sub>I</sub> (AC)				35	mA	
I <sub>DDD</sub>	Dynamic Operating - Clock only	$\overline{\text{RESET}} = V_{DD}$ V <sub>I</sub> = V <sub>IH</sub> (AC) or V <sub>IL</sub> (AC), CK and $\overline{\text{CK}}$ switching 50% duty cycle		I <sub>O</sub> = 0		46		μA/ clock MHz
	Dynamic Operating -per each data input	$\overline{\text{RESET}} = V_{DD}$ V <sub>I</sub> = V <sub>IH</sub> (AC) or V <sub>IL</sub> (AC), CK and $\overline{\text{CK}}$ switching 50% duty cycle. One data input switching at half clock frequency, 50% duty cycle				12		μA/ clock MHz Data
C <sub>I</sub>	Data inputs	V <sub>I</sub> = V <sub>REF</sub> ± 350mV	2.6V	3.0	4.0	5.5	pF	
	CK and $\overline{\text{CK}}$	V <sub>ICR</sub> = 1.25V, V <sub>I(PP)</sub> = 360mV		6.5	8.0	9.5		
	$\overline{\text{RESET}}$	V <sub>I</sub> = V <sub>CC</sub> or GND		3.5	4.35	5.0		

**Note:**

1. All typical values are at V<sub>DD</sub> = 2.5V, T<sub>A</sub> = 25°C.



**PI74SSTVF32852A**  
**24-Bit to 48-Bit**  
**Registered Buffer**

**Timing Requirements** (over recommended operating free-air temperature range, unless otherwise noted)

		V <sub>DD</sub> =2.5V ±0.2V		V <sub>DD</sub> =2.6V ±0.1V		Units
		Min.	Max.	Min.	Max.	
f <sub>clock</sub>	Clock Frequency		270		270	MHz
t <sub>w</sub>	Pulse Duration, CLK, $\overline{\text{CLK}}$ High or Low	2.5		2.5		ns
t <sub>act</sub>	Differential inputs active time, data inputs must be low after RESET High	22		22		
t <sub>inact</sub>	Differential Inputs inactive time, data and clock inputs must be held at valid levels (not floating) after RESET Low	22		22		
t <sub>SU</sub>	Setup time, fast slew rate <sup>(5,7)</sup>	Data before CK↑, $\overline{\text{CK}}$ ↓	0.75	0.75		
	Setup time, slow slew rate <sup>(6,7)</sup>		0.9			
t <sub>h</sub>	Hold time, fast slew rate <sup>(5,7)</sup>	Data before CK↑, $\overline{\text{CK}}$ ↓	0.75	0.75		
	Hold time, slow slew rate <sup>(6,7)</sup>		0.9			0.9

**Notes:**

5. Data signal input slew rate ≥ 1 V/ns
6. Data signal input slew rate ≥ 0.5V/ns and <1V/ns
7. CLK,  $\overline{\text{CLK}}$  input slew rates are ≥ 1 V/ns.

**Switching Characteristics for PC1600~PC2700**

(over recommended operating free-air temperature range, unless otherwise noted.)  
 (See test circuits and switching waveforms).

Parameter	From (Input)	To (Output)	V <sub>DD</sub> = 2.5V ±0.2V			Units
			Min.	Typ.	Max.	
f <sub>max</sub>			210			MHz
t <sub>pd</sub>	CLK, $\overline{\text{CLK}}$	Q	1.1		2.1	ns
t <sub>phl</sub>	$\overline{\text{RESET}}$	Q			5.0	

**Switching Characteristics for PC3200**

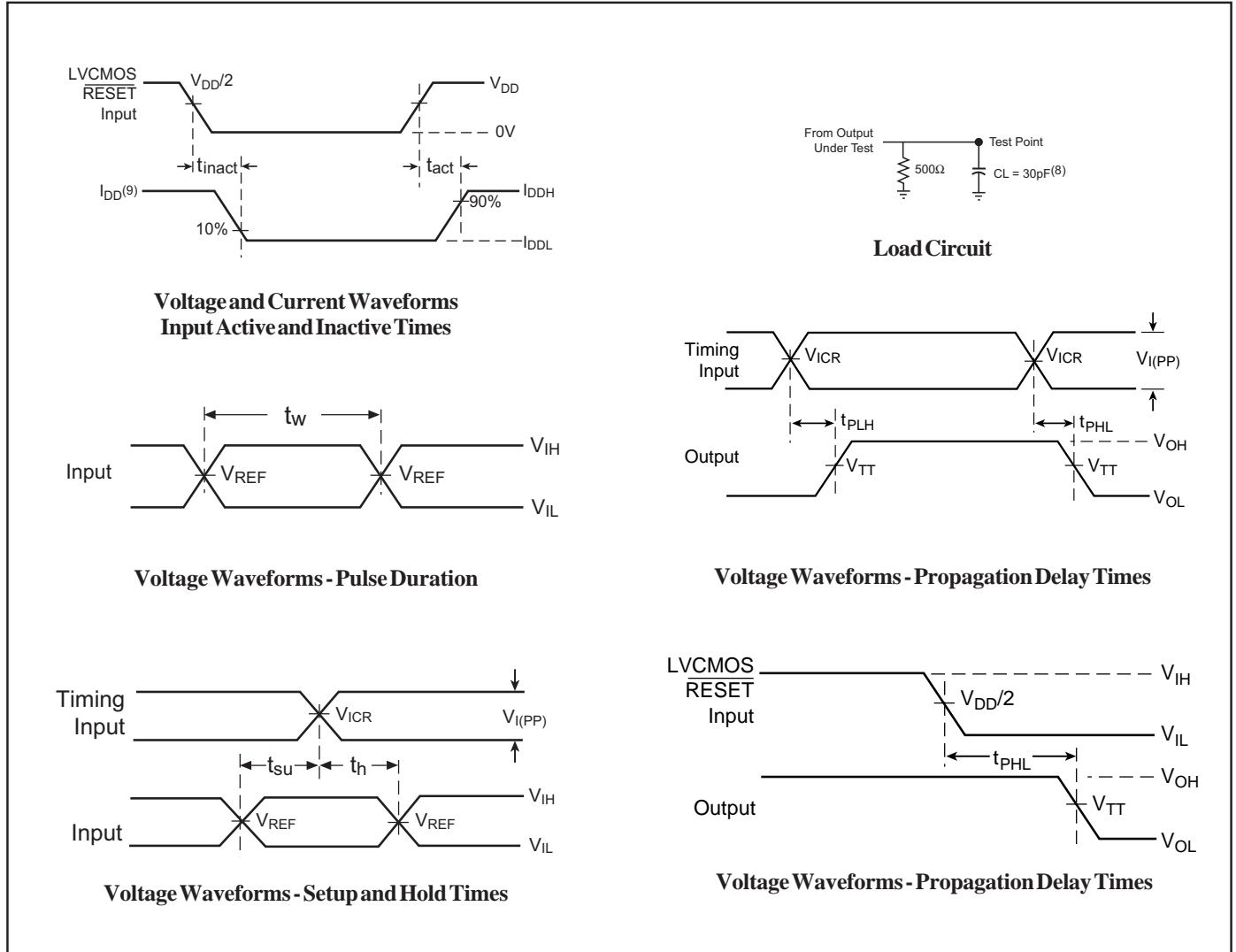
(over recommended operating free-air temperature range, unless otherwise noted.)  
 (See test circuits and switching waveforms).

Parameter	From (Input)	To (Output)	V <sub>DD</sub> = 2.6V ±0.1V			Units
			Min.	Typ.	Max.	
f <sub>max</sub>			210			MHz
t <sub>pd</sub>	CLK, $\overline{\text{CLK}}$	Q	1.1		2.1	ns
t <sub>phl</sub>	$\overline{\text{RESET}}$	Q			5.0	



**PI74SSTVF32852A**  
**24-Bit to 48-Bit**  
**Registered Buffer**

### Test Circuit and Switching Waveforms



### Parameter Measurement Information

**Notes:**

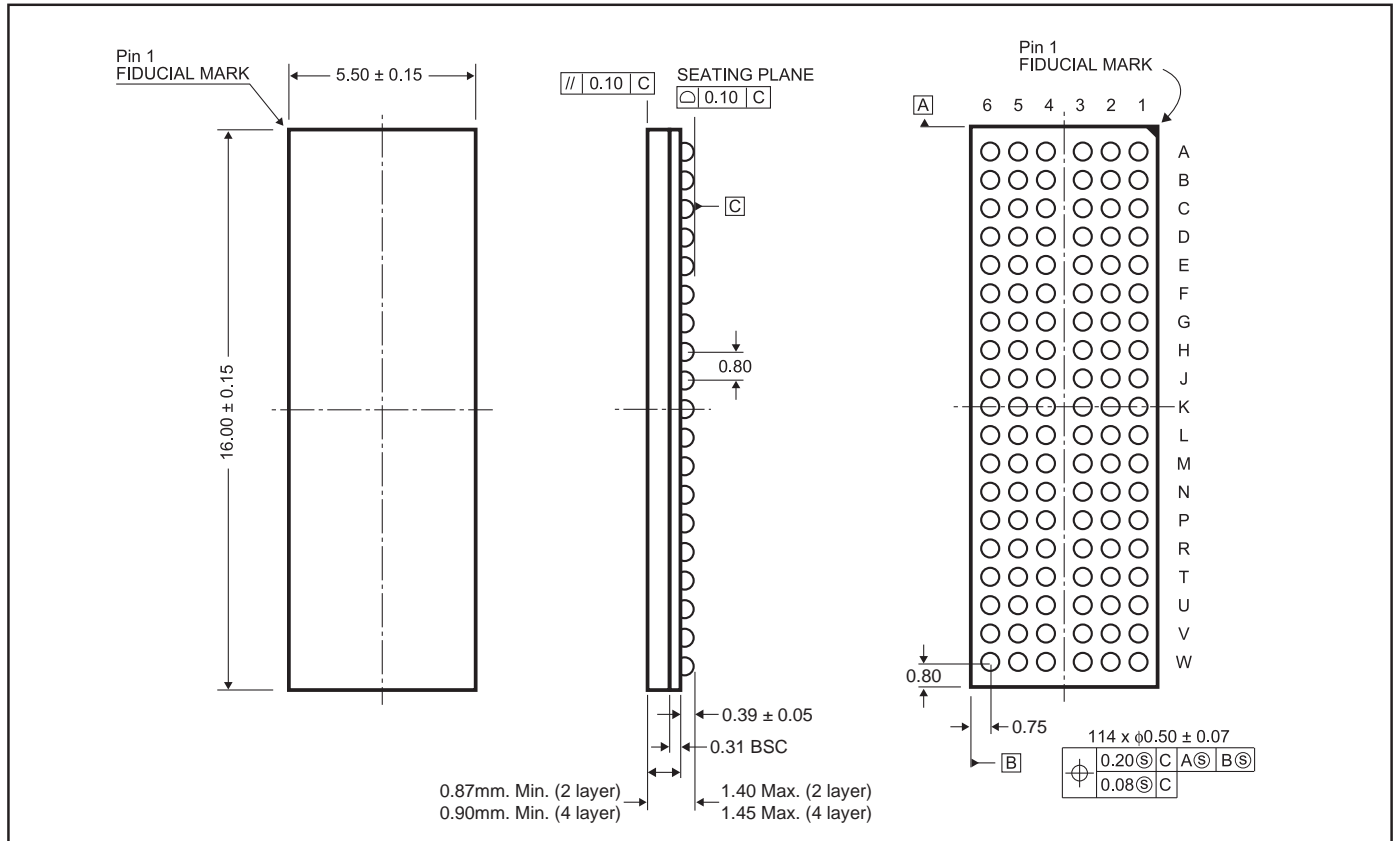
8.  $C_L$  includes probe and jig capacitance.
9.  $I_{DD}$  tested with clock and data inputs held at  $V_{DD}$  or GND, and  $I_O = 0\text{mA}$ .
10. All input pulses are supplied by generators having the following characteristics:  $PRR \leq 10\text{ MHz}$ ,  $Z_O = 50\text{ ohms}$ .  
 Input slew rate =  $1\text{V/ns} \pm 20\%$  (unless otherwise specified).
11. The outputs are measured one at a time with one transition per measurement.
12.  $V_{TT} = V_{REF} = V_{DDQ}/2$
13.  $V_{IH} = V_{REF} + 310\text{mV}$  (ac voltage levels) for SSTL inputs.  $V_{IH} = V_{DD}$  for LVC MOS input.
14.  $V_{IL} = V_{REF} - 310\text{mV}$  (ac voltage levels) for SSTL inputs.  $V_{IL} = \text{GND}$  for LVC MOS input.
15.  $t_{PLH}$  and  $t_{PHL}$  are the same as  $t_{pd}$ .





**PI74SSTVF32852A**  
**24-Bit to 48-Bit**  
**Registered Buffer**

**114-Ball LFBGA (NB) Package**



**Ordering Information**

Ordering Code	Package Code	Package Type
PI74SSTVF32852ANB	NB	114-Ball LFBGA

**Notes:**

1. Thermal characteristics can be found on the company web site at <http://www.pericom.com/packaging/mechanicals.php>

**Pericom Semiconductor Corporation**

2380 Bering Drive • San Jose, CA 95131 • 1-800-435-2336 • Fax (408) 435-1100 • <http://www.pericom.com>