



Distributor of American Electrical, Inc.: Excellent Integrated System Limited

Datasheet of 351100 - CONN TERM BLOCK FUSE 5X20MM

Contact us: sales@integrated-circuit.com Website: www.integrated-circuit.com

Excellent Integrated System Limited

Stocking Distributor

Click to view price, real time Inventory, Delivery & Lifecycle Information:

[American Electrical, Inc.](#)
[351100](#)

For any questions, you can email us directly:

sales@integrated-circuit.com



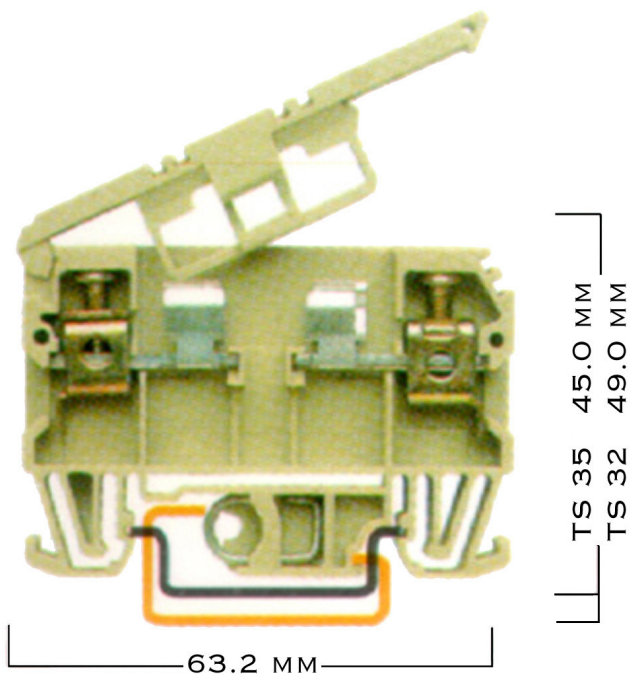
AMERICAN ELECTRICAL, INC.



INDUSTRIAL ELECTRICAL ACCESSORIES

425 SOUTHLAKE BLVD. • SUITE 9-B • RICHMOND, VA 23236 • (804) 379-2899 • FAX: (804) 379-8935

DIN RAIL MOUNTED FUSE BLOCKS

ASK 2 S



DESCRIPTION	AEI PART NO.	UL VOLTS V	AMPS A	WIRE SIZE AWG	WIDTH MM
FUSE BLOCK FOR 5MM X 20MM & 5MM X 25MM FUSES	351100	300	6.3	26 ... 8	8.0
END BRACKET 	495040				8
END PLATE 	450040				1.5

