

Excellent Integrated System Limited

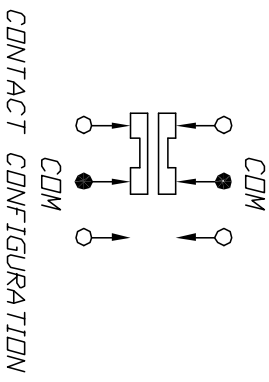
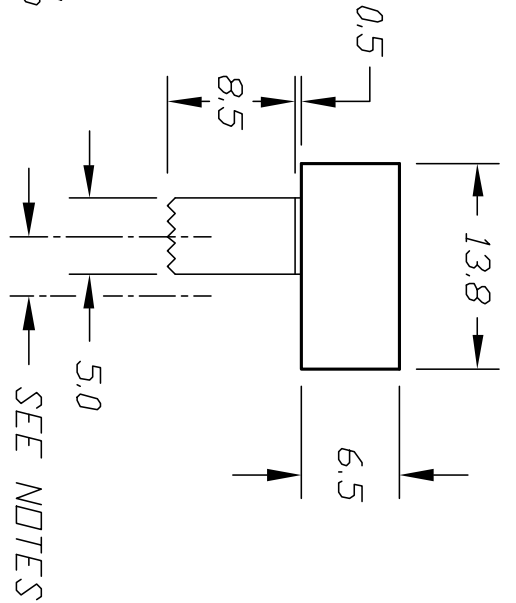
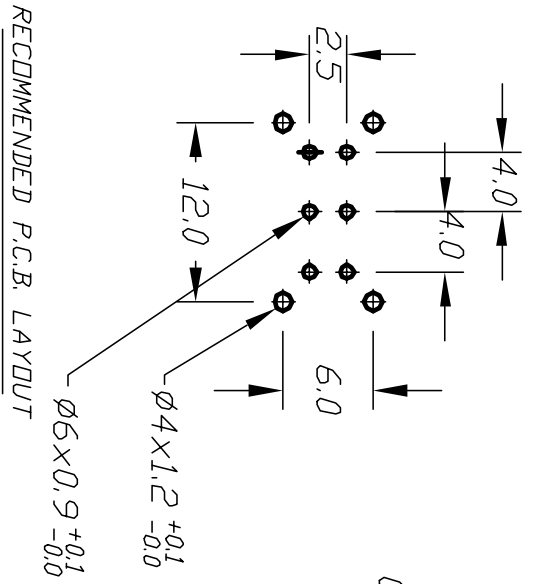
Stocking Distributor

Click to view price, real time Inventory, Delivery & Lifecycle Information:

[E-Switch](#)
[EG2219](#)

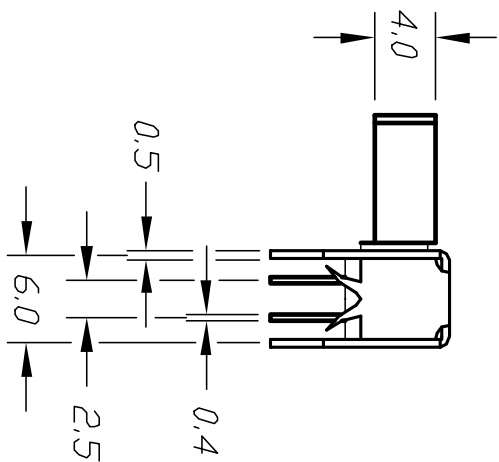
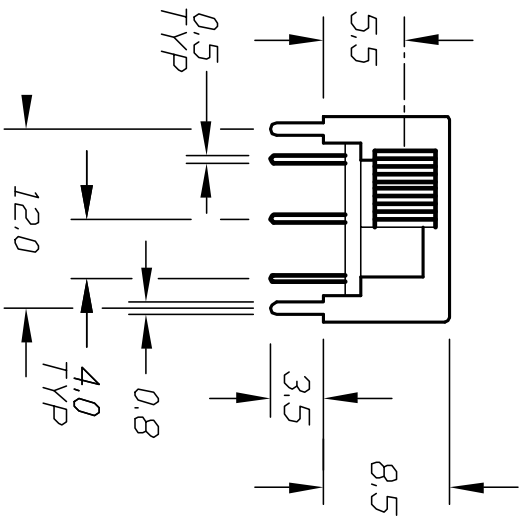
For any questions, you can email us directly:

sales@integrated-circuit.com



NOTES:

1. ALL DIMENSIONS IN MM
2. GENERAL TOLERANCE: X.X=±0.4
X.XX=±0.25
3. RATINGS: 15V DC, 0.5A
4. TIMING: NON-SHORTING
5. TRAVEL: 4.00mm
6. OPERATING FORCE: 250±100gf
7. TERMINAL PC BOARD



B	12648	REVISED AND REDRAWN,	12/20/02	CJB
--	12648	ADD NOTES	12/20/02	CJB
REV.	ECN No.	DESCRIPTION	DATE	CHKD

TITLE		EG 2219		DR	JL	DWG	P040170	REV	B
SCALE	2:1	DATE	8/9/95						

E-SWITCH®

THE INFORMATION CONTAINED IN THIS DOCUMENT IS PROPRIETARY TO E-SWITCH AND ITS NOT TO BE COPIED OR TRANSMITTED