

Excellent Integrated System Limited

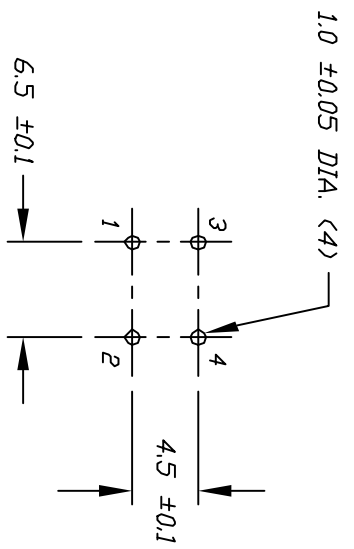
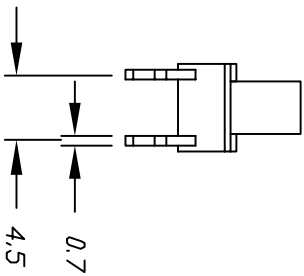
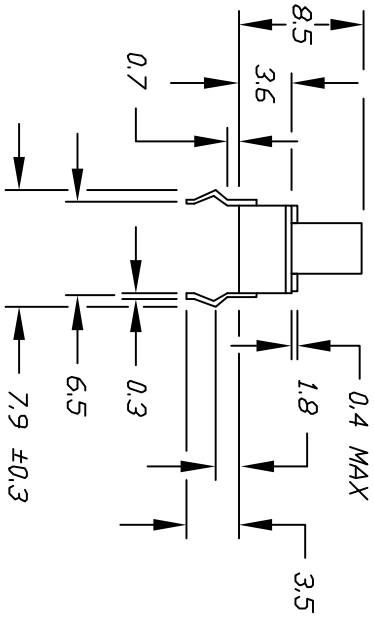
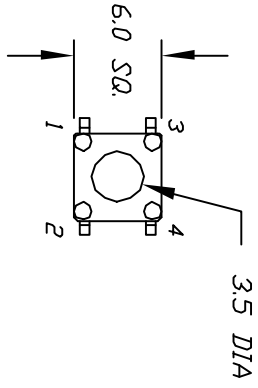
Stocking Distributor

Click to view price, real time Inventory, Delivery & Lifecycle Information:

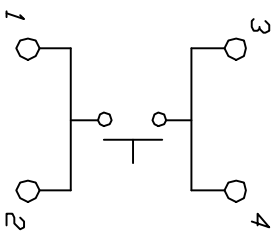
[E-Switch](#)
[TL1105PF160Q](#)

For any questions, you can email us directly:

sales@integrated-circuit.com



P.C.B. MOUNTING HOLES



CONTACT CONFIGURATION

NOTES:

1. ALL DIMENSIONS IN MM
2. TERM. NOS. FOR REF ONLY

REV.	A	RELEASED FOR PRODUCTION	DATE	CHKD
		DESCRIPTION		
THE INFORMATION CONTAINED IN THIS DOCUMENT IS PROPRIETARY TO E-SWITCH AND IS NOT TO BE COPIED OR TRANSFERRED				

TOLERANCES	
0.0	±0.4
0.00	±0.25

TITLE	TL 1105 P (160 GF/8.5mm BLACK)			
SCALE	2:1	DATE	8/14/96	DR
				MM
				DWG
				P010008
REV	A			

E-SWITCH