

## Excellent Integrated System Limited

Stocking Distributor

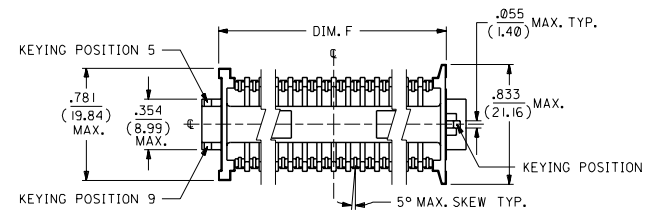
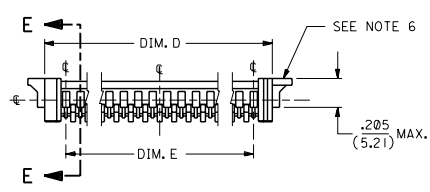
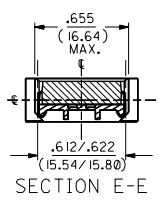
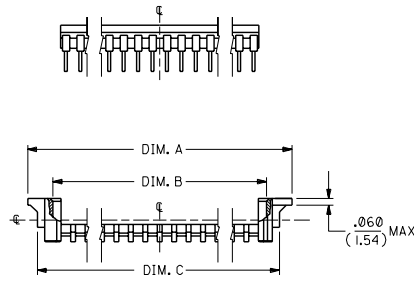
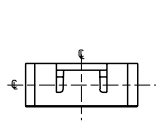
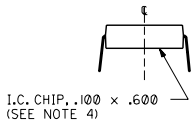
Click to view price, real time Inventory, Delivery & Lifecycle Information:

[Molex Connector Corporation](#)

[50-39-5288](#)

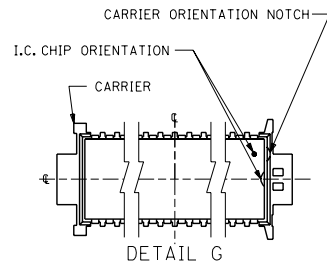
For any questions, you can email us directly:

[sales@integrated-circuit.com](mailto:sales@integrated-circuit.com)



NOTES:

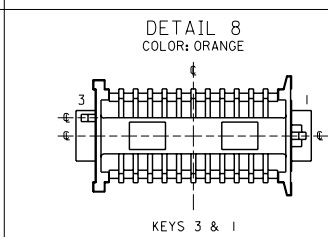
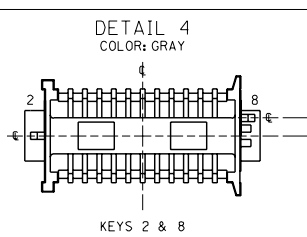
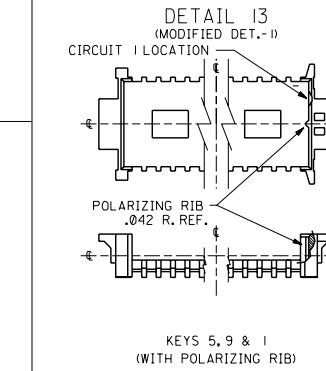
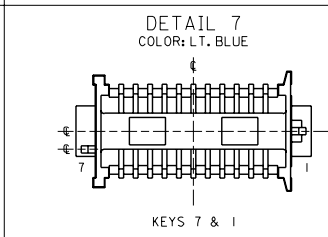
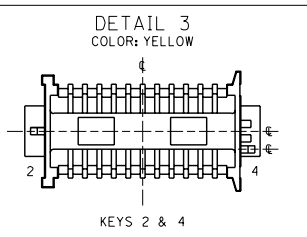
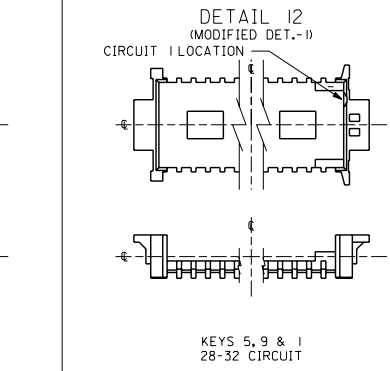
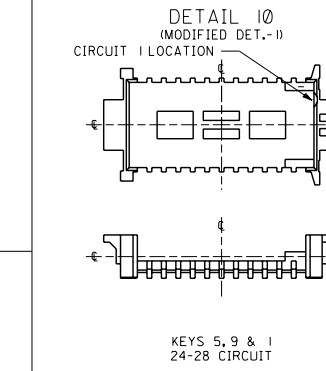
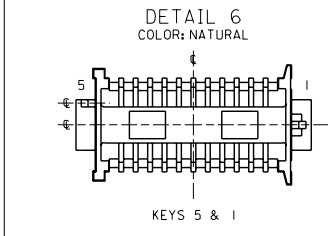
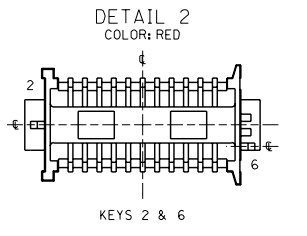
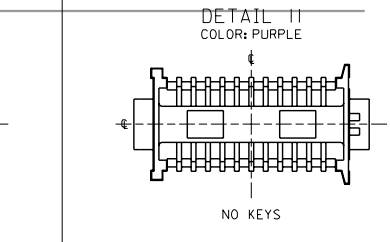
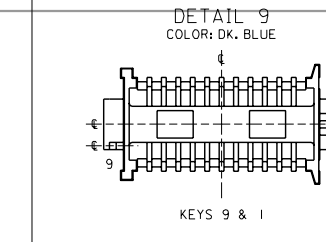
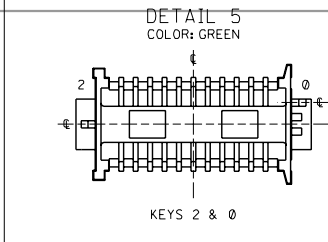
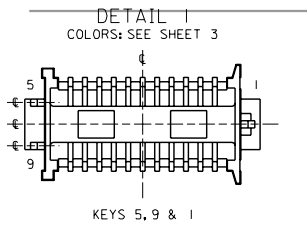
1. DIMENSIONS GIVEN ACROSS CENTERLINES ARE SYMMETRICAL ABOUT THOSE CENTERLINES WITHIN HALF THE TOTAL TOLERANCE, EXCEPT DIM. D.
2. MATERIAL: POLYESTER, 15% GLASS FILLED.
3. I.C. DEVICES TO BE PROVIDED BY CUSTOMER. SEE PS-78804 FOR I.C. DIMENSIONS.
4. I.C. ASSEMBLED TO CARRIER BY CUSTOMER WITH MOLEX ASSEMBLY TOOLING OR EQUIVALENT. (SEE SECTION E-E AND DETAIL G).
5. TIGHT CRIMP AS SHOWN WITH MINIMUM SPRING BACK.
6. THIS PART MATES WITH 78804, 78805, OR 78807 SOCKET ASSEMBLIES.
7. FOR POLARIZATION DETAILS, SEE SHEET 2.
8. PS-78804 APPLIES.
9. PACKAGE PER PK-78802-100.



D	ADD PKG NOTE PER UDT2000-0468 SCHAFFER 99/12/2
C3	ADDED EDP PER ECN U110653 SEC 20 JUNE 91
C2	ADDED DETAIL I3 PER ECN U110446 SEC 8 FEB 91
C1	ADDED P/N'S PER ERO 30698 SEC 11-30-90
C	REDRAWN & REVISED PER ECR # U50175 SEC 3-10-89

DIMENSIONS SHOWN IN METRIC INCH		UNLESS OTHERWISE SPECIFIED TOLERANCES ARE AS FOLLOWS		REVISIONS	
3 PLACE	± .005	---	---	MFG. SH.	REV. LTR.
2 PLACE	± .01	± 0.13	---	1	D
1 PLACE	---	± 0.25	---	2	C2
DRAFT WHEN APPLICABLE MUST REMAIN WITHIN DIMENSIONS				3	C3
TITLE				4	C
SALES ASSEMBLY				REVISIONS	
MEMORY MODULE CARRIER				MFC. SH. REV. LTR.	
(.100 x .600 GRID)				1	
MOLEX INCORPORATED				2	
PART NO. SDA-78802-1000				3	
SEE SHEET 3				4	
DATE 9/23/88				5	
DRAWN BY PB				6	
CHECKED BY SEC				7	
APP'D BY ASW				8	
SCALE 2:1				9	
FILE NAME S0788021				10	
DRAWN BY DA				11	
DATE 9/23/88				12	
DRAWN BY DA				13	

13 12 11 10 9 8 7 6 5 4 3 2 1



		MFG. SH. REV.	
		REVISE ONLY ON CAD SYSTEM	
		SALES ASSEMBLY MEMORY MODULE CARRIER (.600 x .100)	
		MOLEX INCORPORATED 9953 U.S.A.	
		DATE: 03/10/89	
		SHEET NO. 2	
		PART NO. SDA-78802-0000	
		SEE SHEET 3	
		THIS DRAWING CONTAINS INFORMATION THAT IS PROPRIETARY TO MOLEX INC. AND SHOULD NOT BE USED WITHOUT WRITTEN PERMISSION. DA	
LTR. REVISIONS		LTR. REVISIONS	

13 12 11 10 9 8 7 6 5 4 3 2 1



Distributor of Molex Connector Corporation: Excellent Integrated System Limited

Datasheet of 50-39-5288 - CONN IC DIP SOCKET 28POS TINLEAD

Contact us: sales@integrated-circuit.com Website: www.integrated-circuit.com

CKT. SIZE	ENG NO.	EDP NO.	COLOR	DETAIL	DIM. A (MAX.)	DIM. B (MIN.)	DIM. C (MAX.)	DIM. D (MAX.)	DIM. E ±.006/(0.15)	DIM. F (MAX.)			
J	24	78802-0001	50-39-5248	BLACK	1	1.637/(41.58)	1.275/(32.39)	1.467/(37.26)	1.383/(35.13)	1.100/(27.94)	1.367/(34.72)		
	28	78802-0010	50-39-5288	BLACK	1	1.837/(46.66)	1.475/(37.47)	1.667/(42.34)	1.583/(40.21)	1.300/(33.02)	1.567/(39.80)		
I	28	78802-0012	50-65-2282	YELLOW	3	1.837/(46.66)	1.475/(37.47)	1.667/(42.34)	1.583/(40.21)	1.300/(33.02)	1.567/(39.80)		
	28	78802-0013	50-65-2283	GRAY	4	1.837/(46.66)	1.475/(37.47)	1.667/(42.34)	1.583/(40.21)	1.300/(33.02)	1.567/(39.80)		
	28	78802-0014	50-65-2284	DK. GREEN	5	1.837/(46.66)	1.475/(37.47)	1.667/(42.34)	1.583/(40.21)	1.300/(33.02)	1.567/(39.80)		
H	28	78802-0015	50-65-2285	NATURAL	6	1.837/(46.66)	1.475/(37.47)	1.667/(42.34)	1.583/(40.21)	1.300/(33.02)	1.567/(39.80)		
	28	78802-0016	50-65-2286	LT. BLUE	7	1.837/(46.66)	1.475/(37.47)	1.667/(42.34)	1.583/(40.21)	1.300/(33.02)	1.567/(39.80)		
	28	78802-0017	50-65-2287	ORANGE	8	1.837/(46.66)	1.475/(37.47)	1.667/(42.34)	1.583/(40.21)	1.300/(33.02)	1.567/(39.80)		
	28	78802-0018	50-65-2288	DK. BLUE	9	1.837/(46.66)	1.475/(37.47)	1.667/(42.34)	1.583/(40.21)	1.300/(33.02)	1.567/(39.80)		
G	28	78802-0046	50-57-5286	RED	1	1.837/(46.66)	1.475/(37.47)	1.667/(42.34)	1.583/(40.21)	1.300/(33.02)	1.567/(39.80)		
	28	78802-0047	50-57-5285	BLACK	10	1.837/(46.66)	1.475/(37.47)	1.667/(42.34)	1.583/(40.21)	1.300/(33.02)	1.567/(39.80)		
	28	78802-0118	50-57-5284	PURPLE	11	1.837/(46.66)	1.475/(37.47)	1.667/(42.34)	1.583/(40.21)	1.300/(33.02)	1.567/(39.80)		
F	28	X-78802-0119	NOT TOOLED	BLACK	13	1.837/(46.66)	1.475/(37.47)	1.667/(42.34)	1.583/(40.21)	1.300/(33.02)	1.567/(39.80)		
	32	78802-0028	50-57-5283	BLACK	1	2.037/(51.74)	1.675/(42.55)	1.867/(47.42)	1.783/(45.29)	1.500/(38.10)	1.767/(44.88)		
	32	78802-0029	50-65-3329	RED	2	2.037/(51.74)	1.675/(42.55)	1.867/(47.42)	1.783/(45.29)	1.500/(38.10)	1.767/(44.88)		
E	32	78802-0030	50-65-3330	YELLOW	3	2.037/(51.74)	1.675/(42.55)	1.867/(47.42)	1.783/(45.29)	1.500/(38.10)	1.767/(44.88)		
	32	78802-0031	50-65-3331	GRAY	4	2.037/(51.74)	1.675/(42.55)	1.867/(47.42)	1.783/(45.29)	1.500/(38.10)	1.767/(44.88)		
	32	78802-0032	50-65-3332	DK. GREEN	5	2.037/(51.74)	1.675/(42.55)	1.867/(47.42)	1.783/(45.29)	1.500/(38.10)	1.767/(44.88)		
D	32	78802-0033	50-65-3321	NATURAL	6	2.037/(51.74)	1.675/(42.55)	1.867/(47.42)	1.783/(45.29)	1.500/(38.10)	1.767/(44.88)		
	32	78802-0034	50-65-3334	LT. BLUE	7	2.037/(51.74)	1.675/(42.55)	1.867/(47.42)	1.783/(45.29)	1.500/(38.10)	1.767/(44.88)		
	32	78802-0035	50-65-3335	ORANGE	8	2.037/(51.74)	1.675/(42.55)	1.867/(47.42)	1.783/(45.29)	1.500/(38.10)	1.767/(44.88)		
C	32	X-78802-0036	N.T.	DK. BLUE	9	2.037/(51.74)	1.675/(42.55)	1.867/(47.42)	1.783/(45.29)	1.500/(38.10)	1.767/(44.88)		
	32	78802-0064	50-65-2289	BLACK	12	2.037/(51.74)	1.675/(42.55)	1.867/(47.42)	1.783/(45.29)	1.500/(38.10)	1.767/(44.88)		
	32	78802-0065	50-65-3365	RED	1	2.037/(51.74)	1.675/(42.55)	1.867/(47.42)	1.783/(45.29)	1.500/(38.10)	1.767/(44.88)		
B	32	78802-0136	50-65-3346	PURPLE	11	2.037/(51.74)	1.675/(42.55)	1.867/(47.42)	1.783/(45.29)	1.500/(38.10)	1.767/(44.88)		
	32	X-78802-0137	NOT TOOLED	BLACK	13	2.037/(51.74)	1.675/(42.55)	1.867/(47.42)	1.783/(45.29)	1.500/(38.10)	1.767/(44.88)		

DIMENSIONS SHOWN (METRIC) INCH		UNLESS OTHERWISE SPECIFIED TOLERANCES ARE AS FOLLOWS		REVISIONS ONLY ON CAD SYSTEM	
3 PLACE	± .005	---	---		
2 PLACE	± .01	± 0.13	---		
1 PLACE	---	± 0.25	---		
DRAWING ANGLES UNLESS OTHERWISE SPECIFIED SHALL BE 45°					
DRG. BY	SEC	CHKD. BY	SEC	DATE	SCALE
APP'D. BY	ASW			03/13/89	2:1
LTR.	REVISIONS	LTR.	REVISIONS		

13 12 11 10 9 8 7 6 5 4 3 2 1

SALES ASSEMBLY  
MEMORY MODULE CARRIER  
(600 x 100)

MOLEX INCORPORATED  
99532 U.S.A.

DATE: 03/13/89  
SHEET NO: 3

SEE CHART SDA-78802-\*\*\*\*

THIS DRAWING CONTAINS INFORMATION THAT IS PROPRIETARY TO MOLEX AND SHOULD NOT BE USED WITHOUT WRITTEN PERMISSION.