

## Excellent Integrated System Limited

Stocking Distributor

Click to view price, real time Inventory, Delivery & Lifecycle Information:

[FDK America Inc.](#)  
[HR-SCU](#)

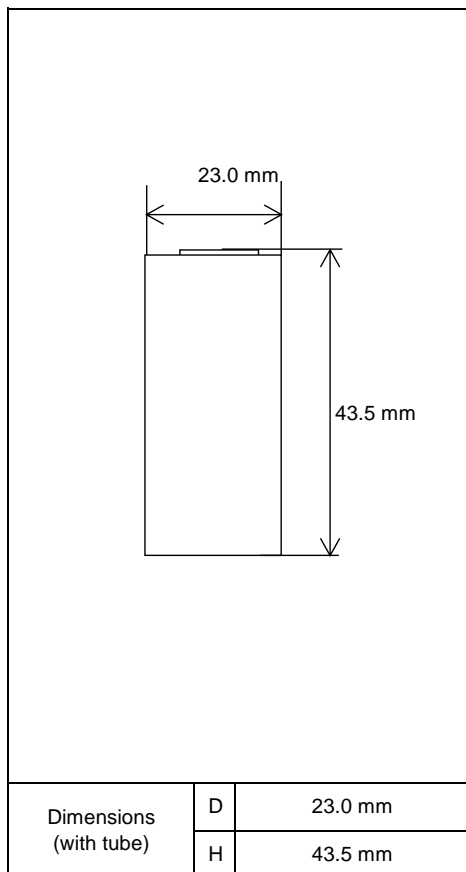
For any questions, you can email us directly:

[sales@integrated-circuit.com](mailto:sales@integrated-circuit.com)

**FDK**  
**TWICELL**

## Cell Type HR-SCU

### Specifications



Type : Nickel-Metal Hydride Battery		Size : SC	
Capacity <sup>1)</sup>	Typical	3000mAh	
	Minimum	2700mAh	
Nominal Voltage		1.2V	
Charging Current x Time	Fast Charge <sup>2)</sup>	3000 mA x about 1.1h	
Ambient Temp.	Charge Condition	Fast Charge <sup>2)</sup>	
	Discharge Condition		
	Storage Condition	Less than 30days	0°C - 40°C
		Less than 90days	0°C - 50°C
Less than 1year		-20°C - 50°C	
Internal Impedance <sup>3)</sup> (after discharge to E.V.=1.0V)		Approx. 7mΩ(at 1000Hz)	
Weight <sup>4)</sup>		Approx. 59 g	
Size <sup>4)</sup> : (Diameter) x (Height)		23.0(D) x 43.5(H) mm	

1) Single cell capacity under the following condition.

Charge : 300mA x 16h, Discharge : 600mA (E.V.=1.0V) at 20°C

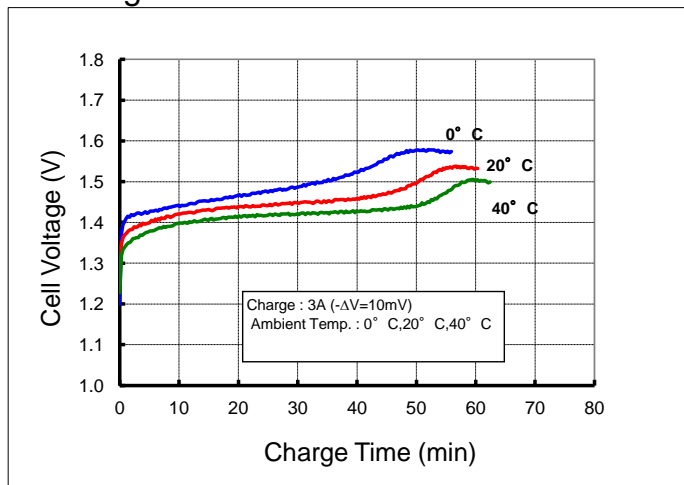
2) Use recommended charging system.

3) After a few charge and discharge cycles under the above 1) condition.

4) With tube.

### Typical Characteristics

#### Charge



#### Discharge

