

Excellent Integrated System Limited

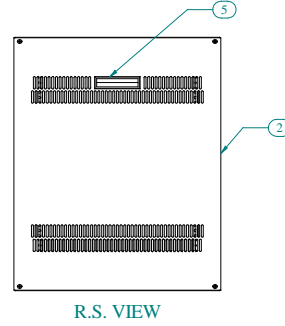
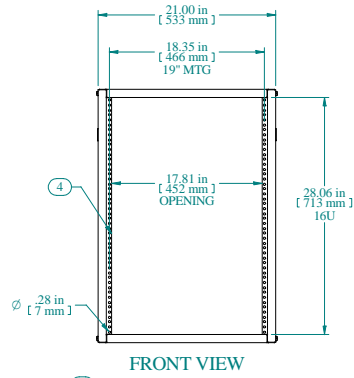
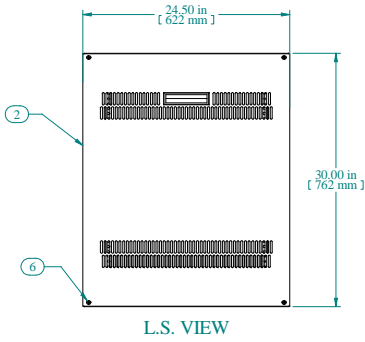
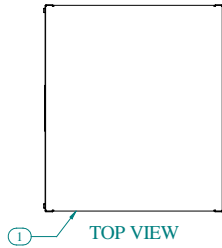
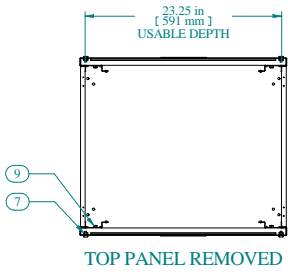
Stocking Distributor

Click to view price, real time Inventory, Delivery & Lifecycle Information:

[Hammond Manufacturing](#)
[RCHV1902824CG1](#)

For any questions, you can email us directly:

sales@integrated-circuit.com



Item Number	Title	Quantity
1	RCHS - TOP PANEL	1
2	RCHS K.D - SIDE	2
3	RCHS - BOTTOM PANEL	1
4	RCHS K.D - PUNCHED COMBO RAILS	4
5	BLACK PLASTIC HANDLE	2
6	SCRW#1/4-20 X 1/2	8
7	NUT 1/4-20 KEP	8
8	NUT 1/4-20 SPRING	8
9	SCREW #4-20X1/2 HEX SLOT BOLT	8
PART NUMBERS		
RCHV1902824BK1	PAINTED BLACK TEXTURED	
RCHV1902824CG1	PAINTED CONT. GRAY TEXTURED	
RCHV1902824LG1	PAINTED RAL7035 TEXTURED	
NOTES		
Shipped knockdown for handling ease & protection.		

Data subject to change without notice. Isometric drawing not to scale.

**HAMMOND
MANUFACTURING**™

www.hammondmfg.com

PART NO. RCHV1902824