

## Excellent Integrated System Limited

Stocking Distributor

Click to view price, real time Inventory, Delivery & Lifecycle Information:

[BUD Industries, Inc.](#)  
[CN-5708](#)

For any questions, you can email us directly:

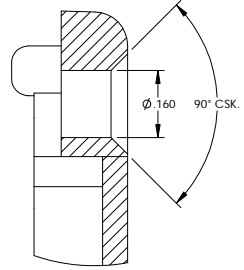
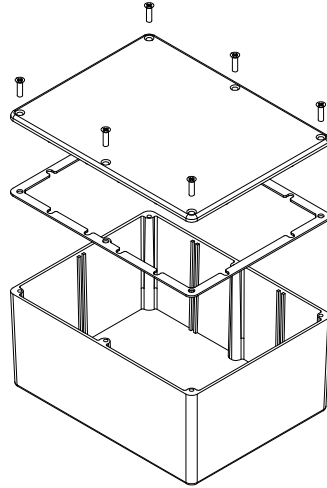
[sales@integrated-circuit.com](mailto:sales@integrated-circuit.com)

THE INFORMATION CONTAINED IN THIS DRAWING IS THE SOLE PROPERTY OF BUD INDUSTRIES INC. ANY REPRODUCTION IN PART OR WHOLE WITHOUT THE WRITTEN PERMISSION OF BUD INDUSTRIES INC. IS PROHIBITED.

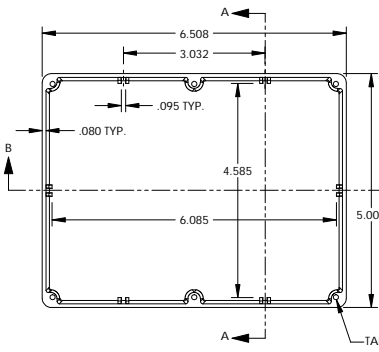
PART NO.		CN-5708	
ISSUE	REVISIONS		

MATERIAL - ALUMINUM ALLOY #ADC-12  
 FINISH - NATURAL (CONTACT BUD FACTORY FOR ALTERNATE FINISHES)  
 GASKET - RATED IP65 NEOPRENE, SELF-ADHESIVE, 3mm THICK, COLOR BLACK  
 SCREWS - STAINLESS STEEL, M3.5 x 12mm LG., CSK. HEAD, SELF-THREADING

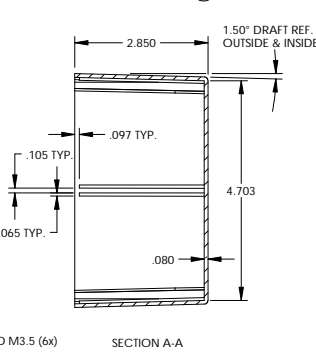
ALL HOLE DIAMETERS HAVE ±.005 TOLERANCE.  
 ALL OTHER DIMENSIONS HAVE ±.015 TOLERANCE.  
 ENCLOSURES ARE SHIPPED UNASSEMBLED WITH ALL ITEMS SHOWN.



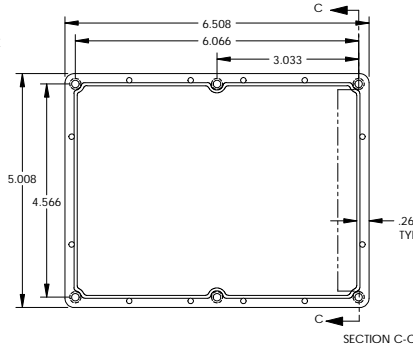
DETAIL D  
SCALE 6:1



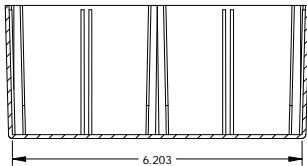
BODY



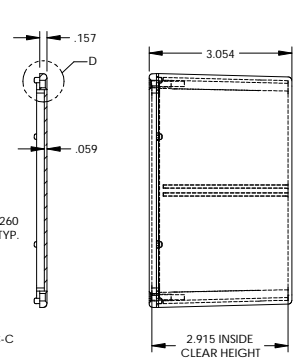
SECTION A-A



COVER



SECTION B-B



PARTS LIST		BUD INDUSTRIES INC.	
✓.005 BETWEEN HOLE CENTERS ✓.010 BETWEEN HOLE EDGES ✓.012 FROM A BEND SURFACE ✓.040 BETWEEN ASSEMBLED SURFACES	✓.005 GENERATED DRAWING ✓.010 MINIMUM SPACING	APPROVED	DATE
UNLESS OTHERWISE SPECIFIED MATERIAL	DAB 3-31-06	DESIGNED	
TYPED AS NOTED	APPROVED		
QTY	USED ON	DO NOT SCALE DRAWING	
